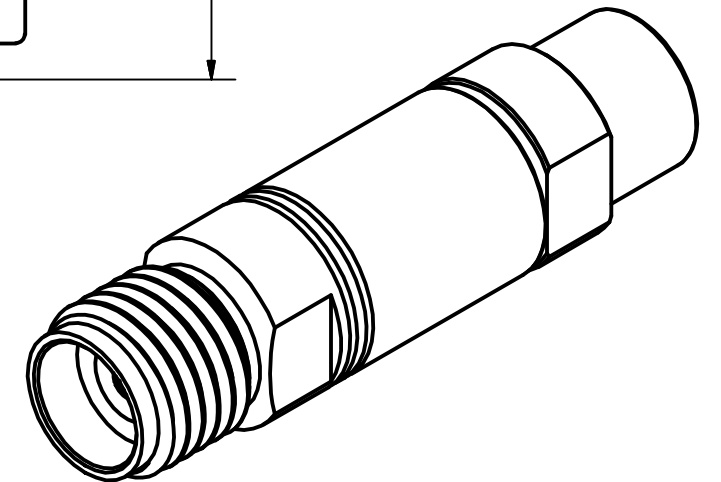
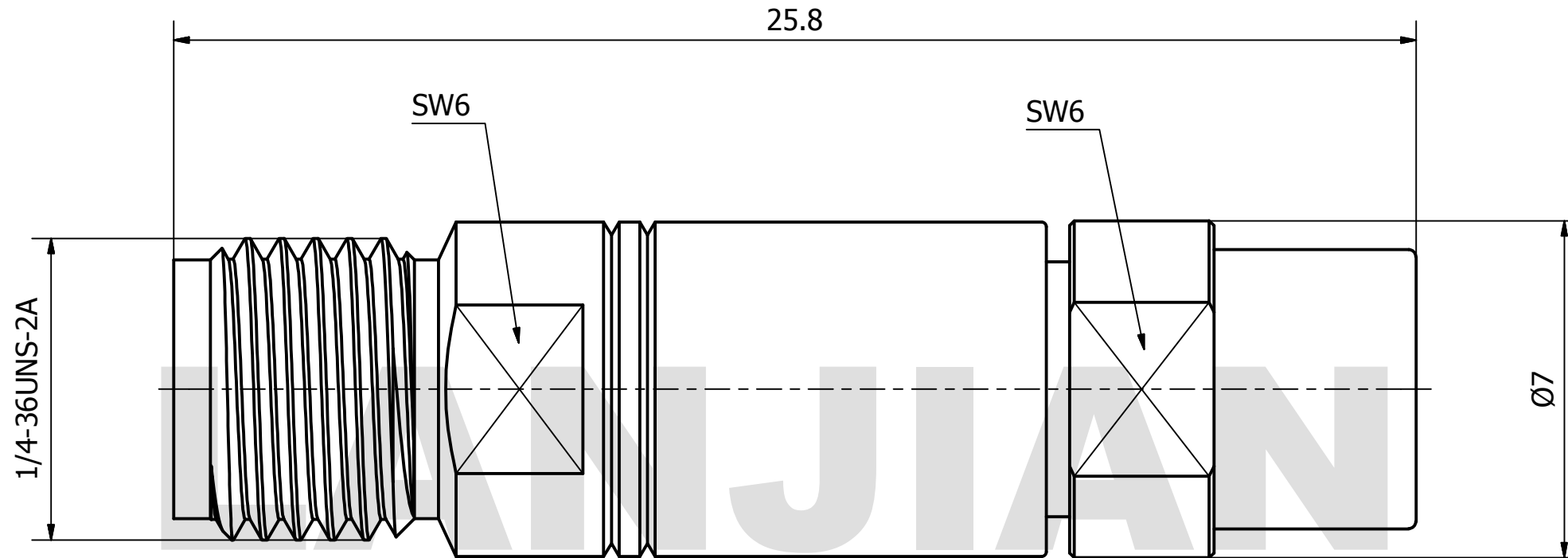


PRODUCT DATA SHEET



MATERIAL:
 BODY: STAINLESS STEEL PER AMS-5640,
 ALLOY UNS S30300
 CONTACT: BERYLLIUM COPPER PER ASTM B196.
 ALLOY NO. UNS C17300
 INSULATOR: PEI

PERFORMANCE:
 IMPEDANCE: 50 OHMS
 FREQUENCY: DC TO 40 GHz
 VSWR: ≤ 1.30

THIS DOCUMENT CONTAINS CONFIDENTIAL AND PROPRIETARY INFORMATION THAT CANNOT BE REPRODUCED OR DIVULGED, IN WHOLE OR IN PART, WITHOUT WRITTEN AUTHORIZATION FROM "LANJIAN ELECTRONICS"	MATERIAL :			LANJIAN ELECTRONICS		
	UNLESS OTHERWISE SPECIFIED: DIMENSIONS IN MM					
	TOLERANCES :			38 Hengtong Road, Xinqu Dingmao Zhenjiang, 212009, Jiangsu, P. R. China		
	X.X	± 0.20	ANGULAR : $\pm 1^\circ$			
	X.XX	± 0.10	FILLETS R/C : ± 0.10			
	X.XXX	± 0.01	SURFACE FINISH : Ra 1.6	DEBURR AND BREAK SHARP EDGES		
		NAME	DATE	SIGNATURE	2.92-K102 straight jack cable connector	
DRAWN	YaoJiang	08/14/2018				
CHK'D	HongZhongYan	08/14/2018				
APPV'D	HongZhongYan	08/14/2018				
MFG				DWG No.	REV.	
PROJECTION			SIZE	SCALE	GCPZ3.660.C.046	A
			A3	8 : 1	DO NOT SCALE THE DRAWING	PAGE 1 / 1