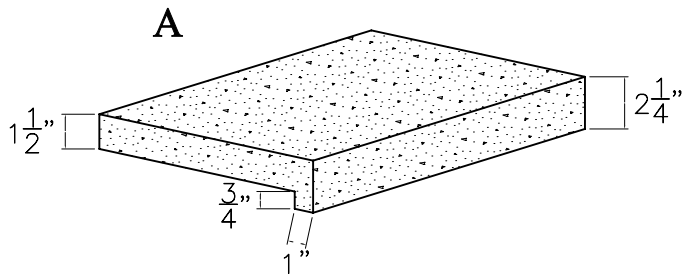
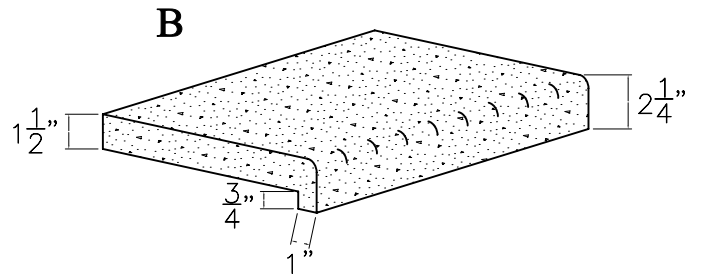


COUNTER/TABLE TOP EDGE DETAILS

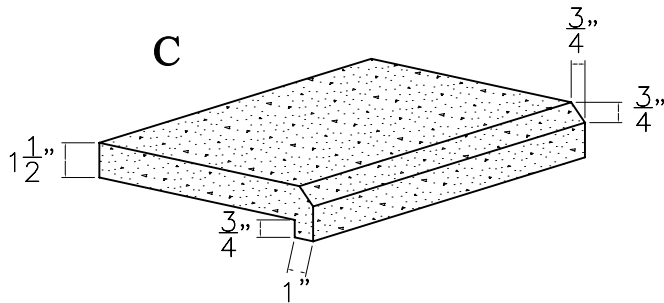
SQUARE EDGE



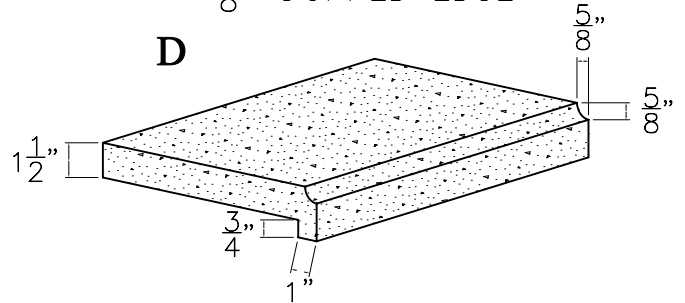
EASED EDGE



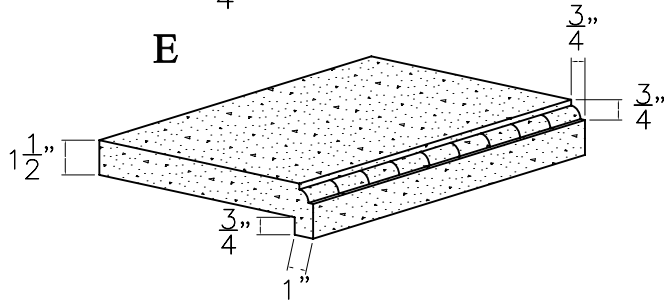
FLAT BEVEL



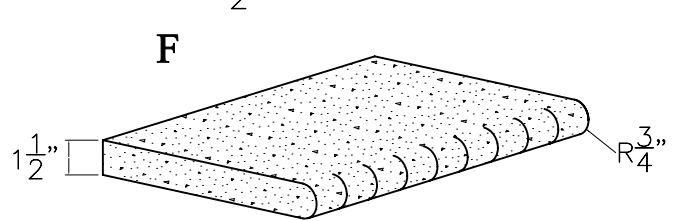
5/8" CUPPED EDGE



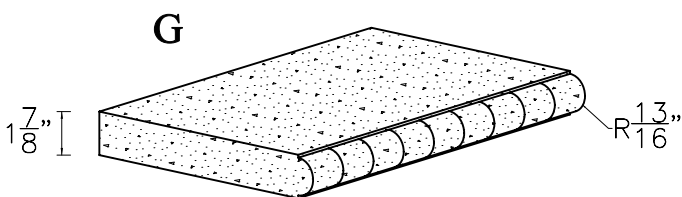
3/4" O.G. EDGE



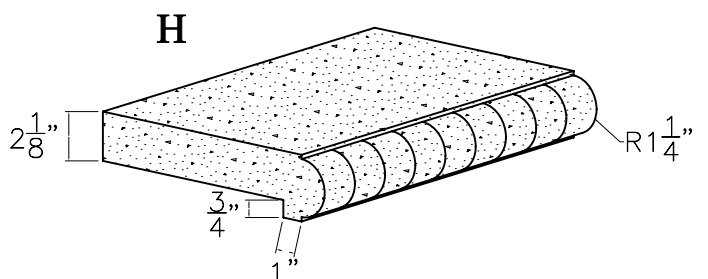
1 1/2" BULLNOSE EDGE



1 7/8" BULLNOSE EDGE

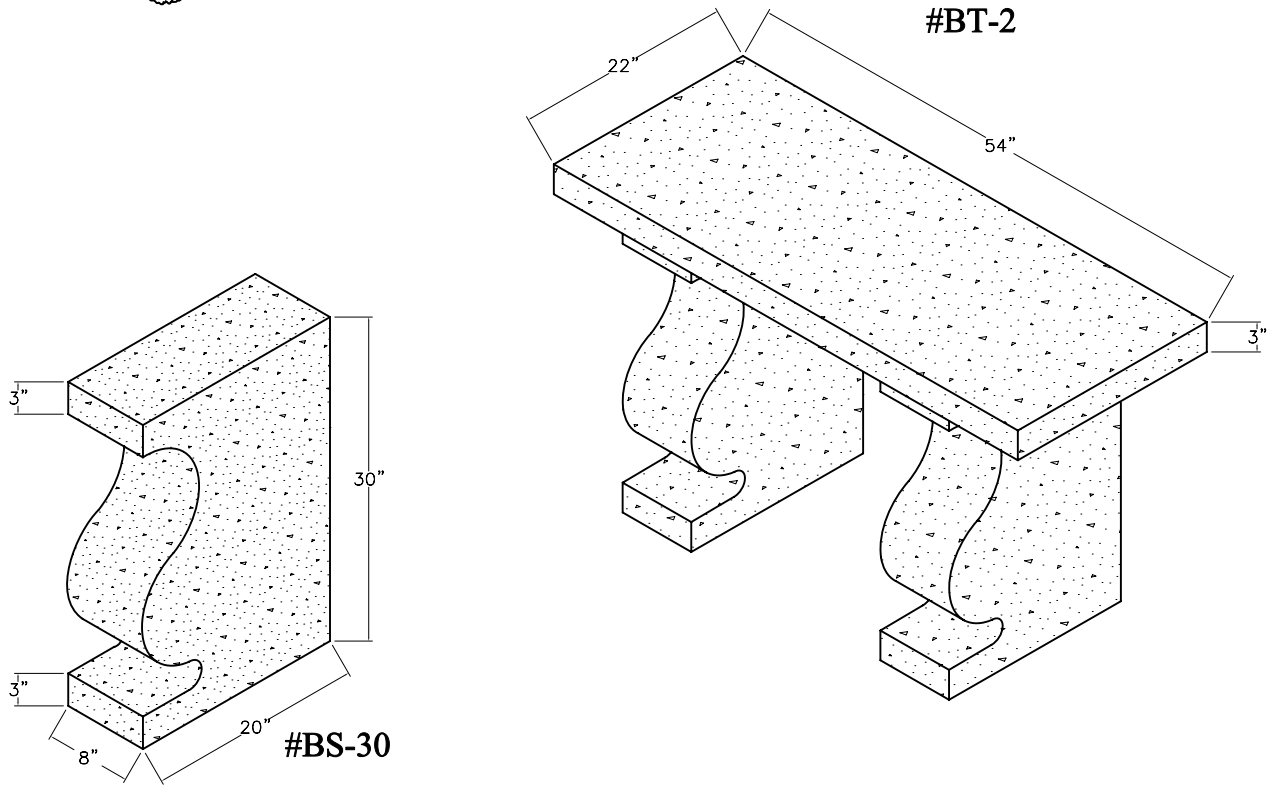
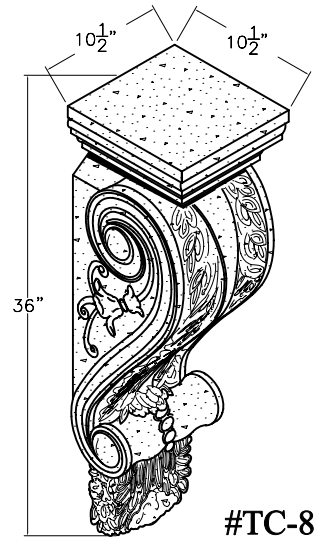
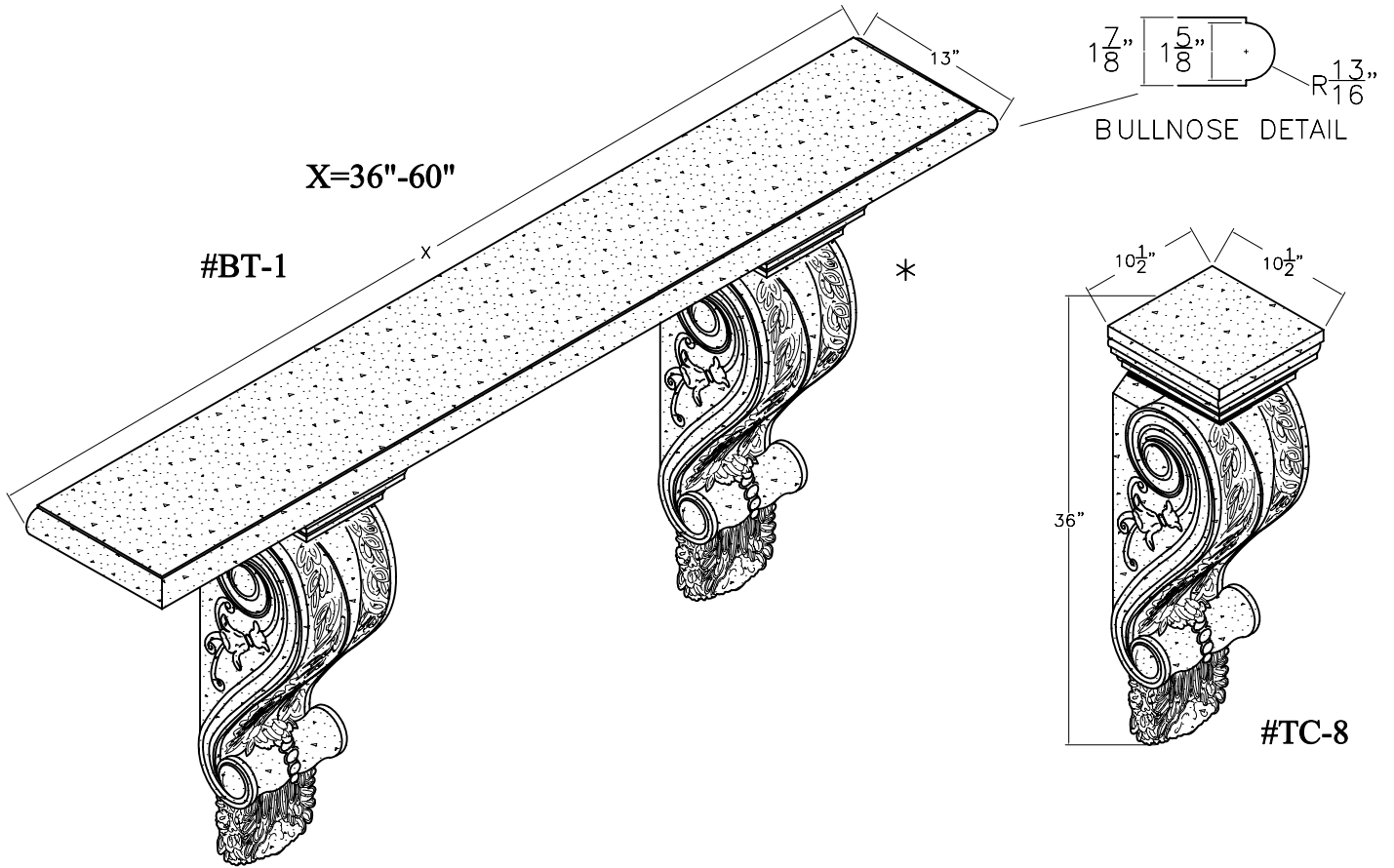


2 7/8" BULLNOSE EDGE



A-H: TYPICAL EDGE DETAILS,
ALTERNATE THICKNESS AVAILABLE UPON REQUEST

CONSOLES



* SEE "CORBELS" FOR ADDITIONAL COMBINATIONS