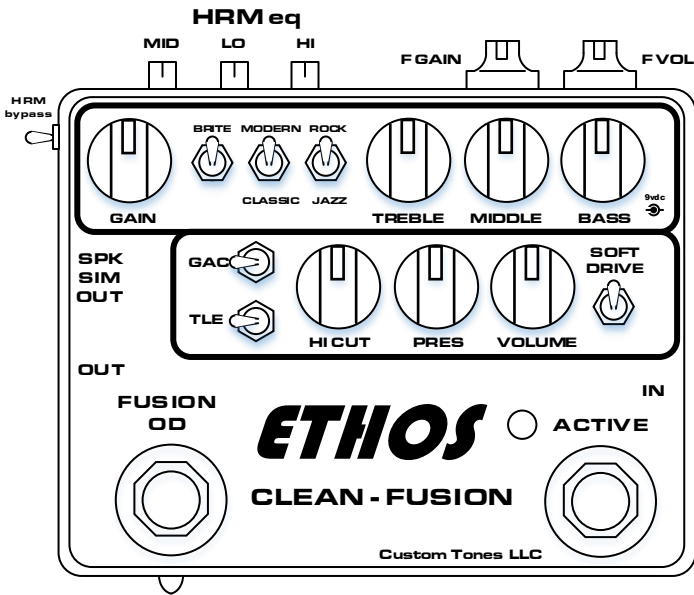


# ETHOS CLEAN - FUSION Specification Sheet

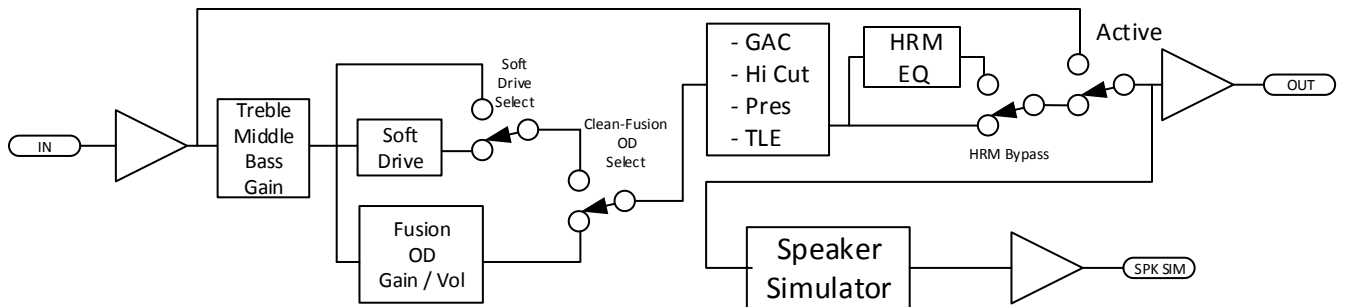


## Overview:

The Ethos Clean-Fusion Preamp/Pedal is the new Advancement of the Popular Ethos Clean Pedal. The Clean-Fusion provides a Second Independent Fusion Overdrive channel controllable via Gain and Volume controls and is selectable by an onboard footswitch. The topology of the Clean-Fusion is based on the Dxmble Overdrive Special whereby the Fusion Overdrive channel shares the Equalization controls with the Clean Channel. Like the Ethos Clean and Ethos Overdrive Preamp, the Ethos Clean-Fusion is extremely flexible and can be used in multiple applications including:

- Guitar Amp Pedal
- Preamp for Power Amps
- DI for PA and Recording Applications

The HRM eq mod is a three band post overdrive EQ inspired by the later models of the most sought after boutique amplifier. The HRM eq extensively expands the tonal pallet of the Ethos Clean – Fusion Preamp.

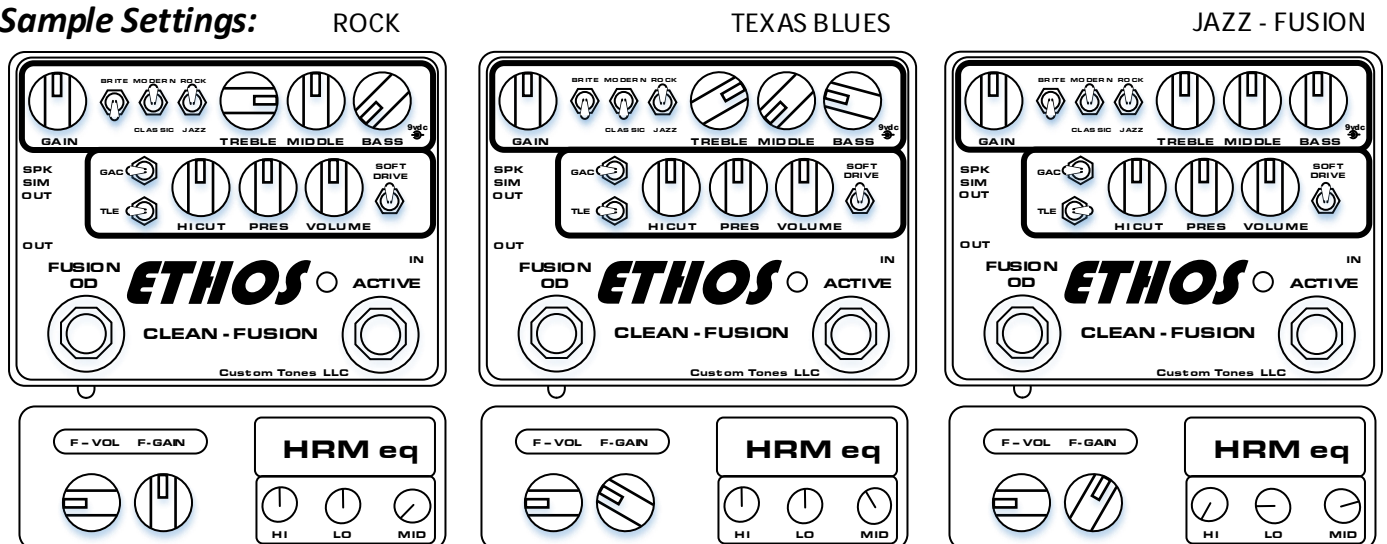


## ETHOS CLEAN - FUSION Block Diagram

### Quick Start Tips:

- Engage GAC (Guitar Amp Compensation) with Guitar Amp. For all other applications turn-off the GAC.
- The Fusion OD level is determined by both the Clean GAIN and Fusion GAIN. Adjust the Clean Channel first then the Fusion OD Channel.
- Set Global Hi-Cut to balance out top end response of system.
- To Tighten up the low end, turn on the TLE and reduce the Bass

### Sample Settings:



Note: Specifications are subject to change without notice