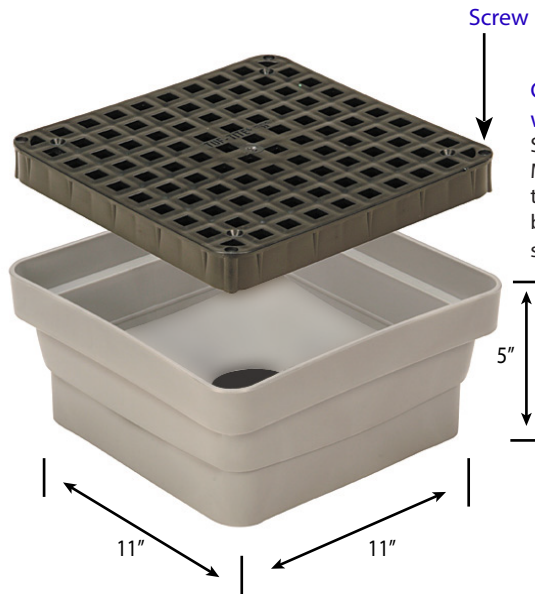
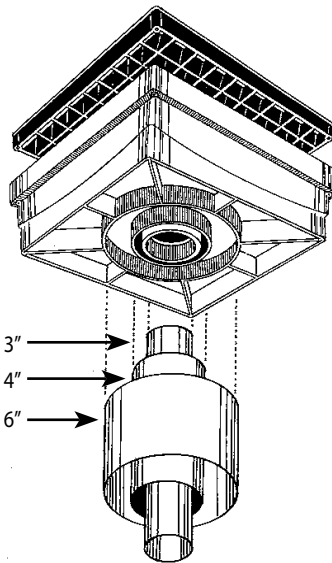


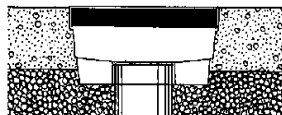
**AD1 Area Drain  
with ADA Grate**


Screw Holes

Grate complies with Americans with Disabilities Act. Safe, square 1/2" x 1/2" openings. Molded of specially formulated thermoplastic polymer. Can easily be anchored with four corner screws.


**Choice of 3 drain pipe sizes.**

Three bottom drains are molded in. The AD1 can be drained with 3" Schedule 40, 4" SDR35, and 6" ASTM3034 pipe.



Installs easily inside and out.

- **Rugged, Non-Corrosive**

Molded of gray High-Density Polypropylene. Ribbed bottom provides exceptional compression strength.

- **Steady Flow**

The contoured bottom directs all water to the drain. Standing water is eliminated.

- **Easily Installed - Anywhere!**

Only 5" deep. Lightweight, easy to handle, and useable with 3", 4", or 6" pipe. No pipe fittings needed.

- **Comes Complete**

Price includes a heavy duty ADA compliant grate. No extras required.