

Product Overview

These drivers are based on Direct Digital Synthesizers (DDS). They deliver multiple fixed stable and accurate RF frequency signals for polychromatic modulators. Their brand new design with “on the edge” technology offers unique performance in terms of accuracy, speed and stability (single/multi-line), thanks to their internal temperature correction and high linearity design. The built in amplifier delivers the necessary RF power to drive the acousto-optic device with reduced power consumption (AA “COLD DESIGN”).

The Rf output power per channel can be individually modulated (MOD IN signals) or simultaneously modulated (BLANKING signal). AA focuses on a n ultra low crosstalk version with fast rise and fall time.

The adjustments of the driver (frequency & power) can be done with a remote control RC03, USB or through RS232 communication.

Features

- Based on DDS (Direct Digital Synthesizers)
- From 1 channel up to 8 channels
- Low heat dissipation/ High reliability
- RoHS Compliant- CE Compliant

Access to your operating manual



OEM version



Laboratory version + RC03



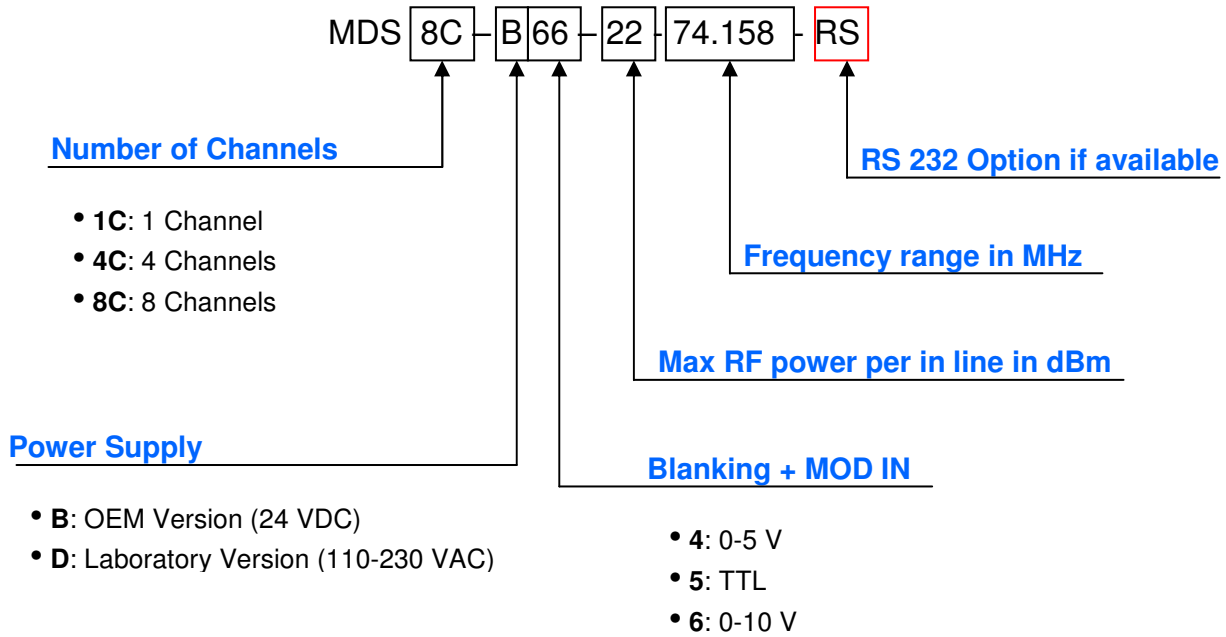
Technical Specifications

Parameter	Specifications
Number of Channels	1, 4 or 8
Frequency Range	20 MHz to 180 MHz (Adapted to AO device)
Frequency Stability	+/- 2 ppm/°C
Frequency Accuracy	Nom 1 KHz
Frequency Step	Nom 1 KHz
Frequency Control	Remote Control (RC03) + USB
Power Supply	24 VDC (<0.7 A),
Rise Time/Fall time (10-90%)	< 50 ns
Modulation Input Control /External	0-10 V (0-5V switchable by soft) / 10 Kohms
Modulation Input Control /Internal	Remote Control (RC03) + USB
Blanking Input Control/External	0-10 V (0-5V switchable by soft) / 10 Kohms
Extinction Ratio (MOD IN+ BLANKING)	Nom 120 dB
Output RF power (On request)	0 to 36 dBm (Adapted to AO device)
Output Impedance	50 Ω
VSWR	< 1.5/1
Input / Output Connector	DB25/SMA
Size / Weight	207 X 127 X 26.1 mm3 / 0.8 g (OEM, 4C,8C) 207 X 99 X 26.1 mm3 / 0.6 g (OEM, 1C)
Heat Exchange	Conduction through baseplate for OEM versions
Operating Temperature	10 to 40 °C (max Tcase 55 °C)
Storage Temperature	-40 to +50 Non condensing
Open SDK available for TPI	Free Software Development Kit for Third Party Interface available on request

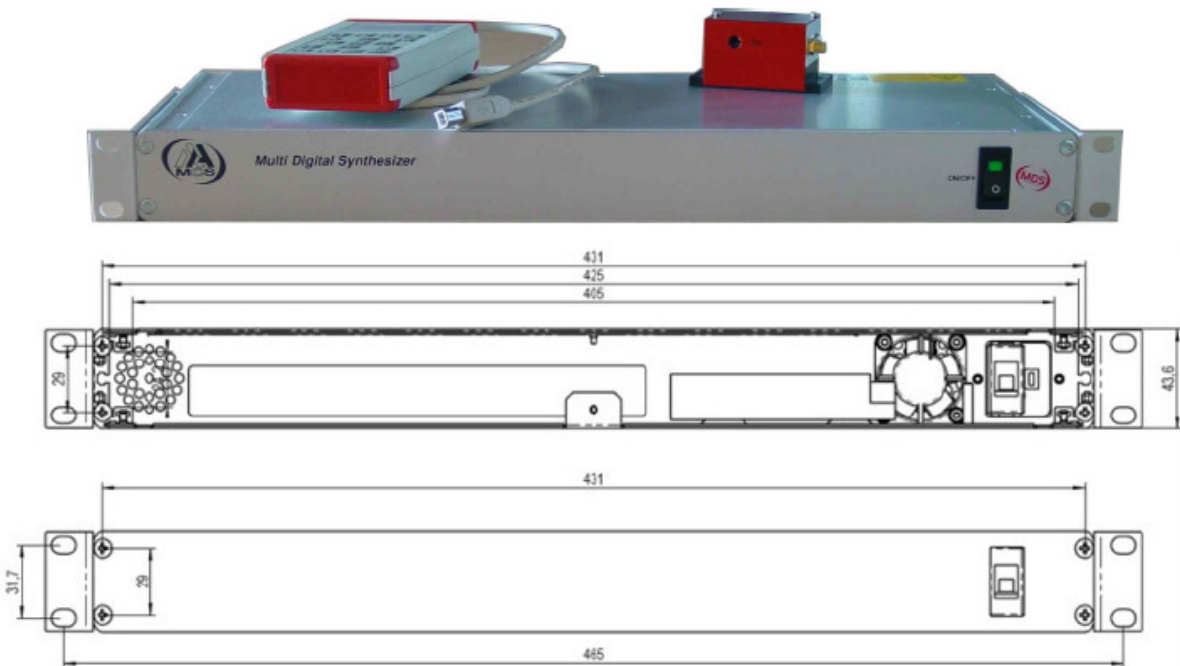
Options / On request

CONTROL	RS 232
POWER SUPPLY	110-230 VAC (laboratory version)
HOUSING	Rack 19", 1U (laboratory version)
SOFTWARE FOR MDS	Free download on AA Website

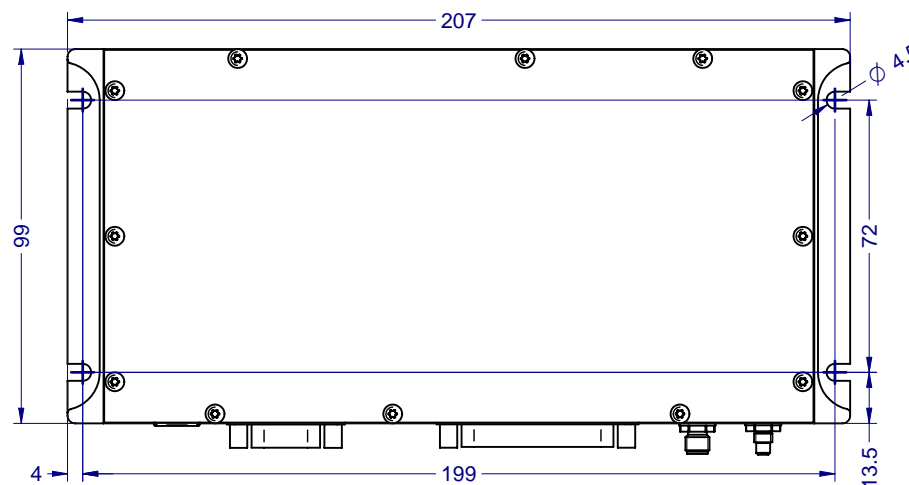
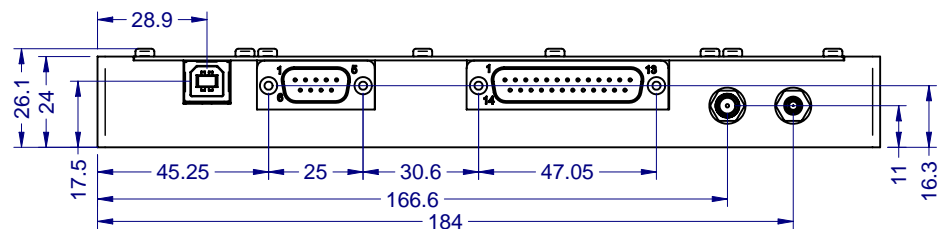
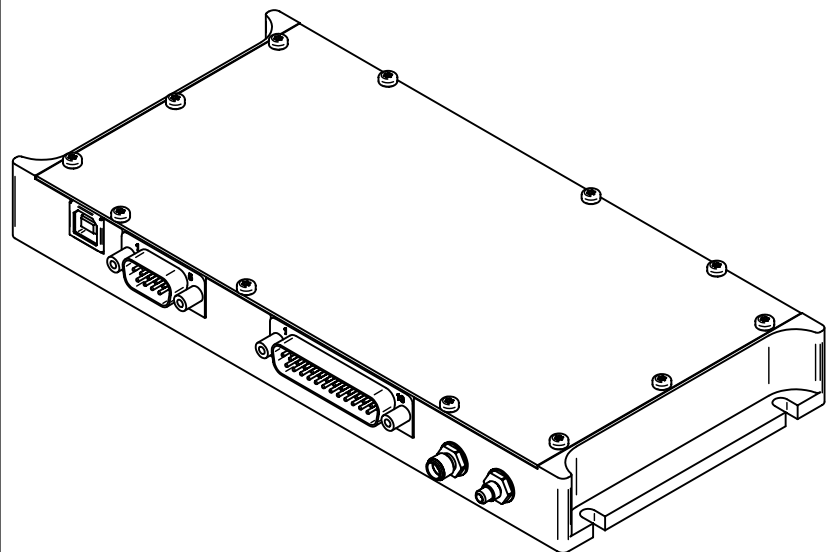
How to determine your model




OUTLINE DRAWING Laboratory Version



Ce document est la propriété de AA-MCS et ne peut être communiqué sans son accord.



					<u>Dessiné par</u>	<u>Vérifié par</u>	Cotes après traitement sauf contre indications	Tolérances: ±0.1mm ∠ ±1° √ 3.2µm
				Nom:	Saint-Jean T.			
				Date:	19/02/2009			
				Matière:				
				Traitement /Finition:				
				Titre:	MDS1C (24VDC version)			
0	Création	19/02/09	T.S	N°	1MODD09008.0055		Ech:	
Ind.	Description	Date	Visa	Plan	Plan d'Ensemble		Page 1/1	

