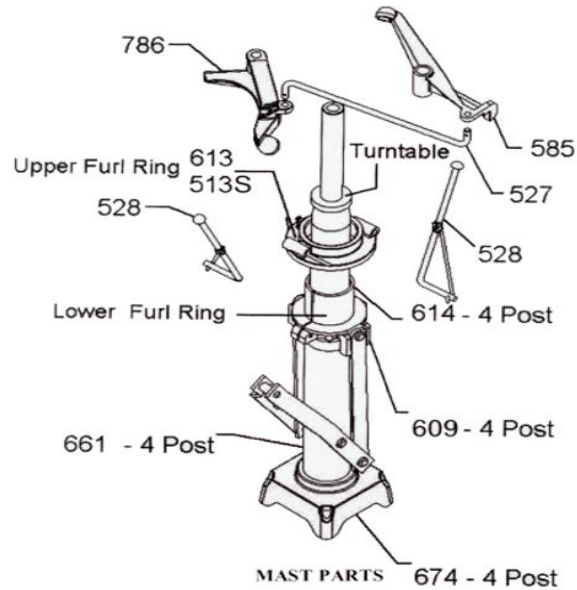




## Windmill Mast Assembly

800-748-1889

2-12-17



9/5/2016	Mill Wheel Size	6	8	10	12	14	16
	Mil Size Code	X	A	B	D	E	F
<b>513S</b>	Upper Furl Ring						
<b>521</b>	Turntable Washer	\$ 2.40	\$ 3.20	\$ 4.00	\$ 4.80	\$ 8.80	\$ 10.40
<b>527</b>	Furl Link	\$ 6.40	\$ 7.20	\$ 10.40	\$ 12.80	\$ 16.00	\$ 19.20
<b>528</b>	Furl Arm						
<b>585</b>	Tail Bone Casing	\$ 20.80	\$ 28.80	\$ 43.20	\$ 68.80	\$ 108.80	\$ 121.60
<b>609</b>	Furl Lever Complete 4-Post	\$ 88.00	\$ 96.00	\$ 112.00	\$ 128.00	\$ 248.00	\$ 296.00
<b>613-1/2</b>	Furl Ring Upper With Arms	\$ 51.20	\$ 60.80	\$ 73.60	\$ 108.80	\$ 172.80	\$ 249.60
<b>614</b>	Lower Furl Ring, Split						
<b>661</b>	Mast W/Base, Less 570, 4-Post						
<b>661 1/2</b>	Mast Pipe W / 674	\$ 168.00	\$ 179.20	\$ 260.80	\$ 344.00	\$ 624.00	\$ 792.00
<b>663</b>	Mast W/Base & 670, 3-Post						
<b>664</b>	Mast W/Base & 670, 4-Post						
<b>670</b>	Furl Lever Complete 3-Post						
<b>670-3</b>	663 Mast W/Base & 670, 3-Post						
<b>670-4</b>	664 Mast W/Base & 670, 4-Post						
<b>674</b>	Mast Base Only, 4-Post	\$ 44.80	\$ 44.80	\$ 56.00	\$ 78.40	\$ 126.40	\$ 172.80
<b>675</b>	Mast Base Only, 3-Post						
<b>786</b>	Brake Lever	\$ 17.60	\$ 24.00	\$ 38.40	\$ 57.60	\$ 92.80	\$ 123.20