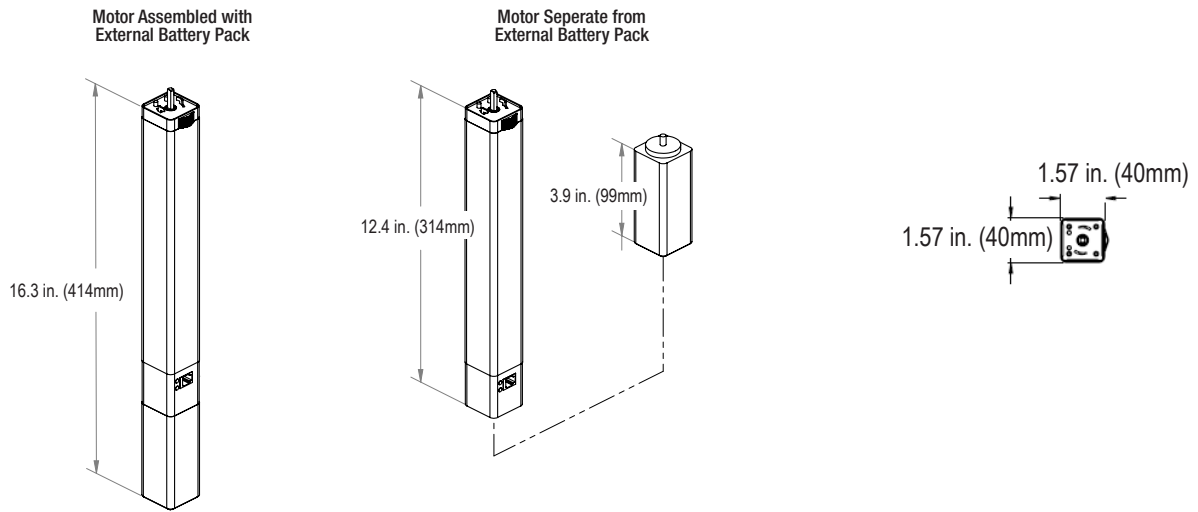


# AMPDravery-1.2/120

DC Battery Powered Motor for Dravery

Motor Part # 62001300 | Battery Charger Part # 62201300

dimensions



specifications

<b>Model</b>	AMPDravery-1.2/120
<b>Torque</b>	1.2Nm
<b>Speed</b>	120rpm (adjustable to 80 or 100)
<b>Motor Size (L x W x H)</b>	410mm*40mm*40mm
<b>Voltage</b>	14.6V DC
<b>Current</b>	1A
<b>Power</b>	16W
<b>IP Class</b>	IP40
<b>Insulation Grade</b>	A

<b>Battery Model / Type</b>	External Battery Pack
<b>Battery Capacity</b>	2.55Ah
<b>Working temp</b>	32°F to 140°F (0°C to 60°C)
<b>RF Modulation</b>	FSK
<b>Radio Frequency</b>	433.92 MHz
<b>Max Running Circles</b>	12 Minutes
<b>Limit Switch Type</b>	Electronic
<b>Sound Level</b>	46dB
<b>Net Weight</b>	3.52Lbs

features & applications



bi-directional



power source - DC



soft start & stop



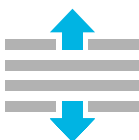
app compatible



electronic limit



low noise



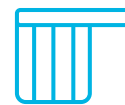
leveling control



favorite position



adjustable RPM



dravery one way left stack



dravery one way right stack



dravery two way split stack



# AMP Drapery-1.2/120

DC Battery Powered Motor for Drapery

Motor Part # 62001300 | Battery Charger Part # 62201300

Kirsch® Estate™ Track Performance with AMP™

DRAW	MINIMUM TRACK LENGTH	MAXIMUM TRACK LENGTH	MAXIMUM FABRIC WEIGHT	MAXIMUM LBS PER FOOT
One-Way	18 in.	16 ft.	64 lbs	4 lbs
Two-Way	18 in.	16 ft.	64 lbs	4 lbs

Kirsch® Architrac® Track Performance with AMP™

DRAW	MINIMUM TRACK LENGTH	MAXIMUM TRACK LENGTH	MAXIMUM FABRIC WEIGHT	MAXIMUM LBS PER FOOT
One-Way	18 in.	16 ft.	64 lbs	4 lbs
Two-Way	18 in.	16 ft.	64 lbs	4 lbs

