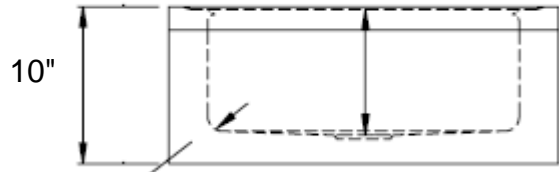
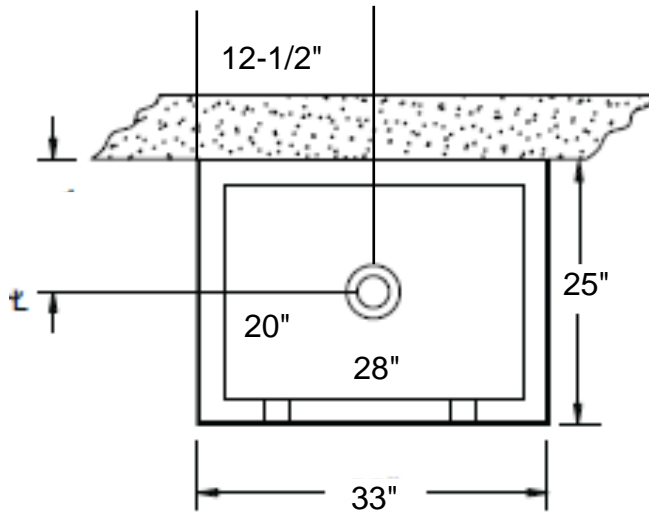


# WICKETTS STAINLESS SPECIFICATION

Commercial Mop Sinks



Model Number			
WMS-2533-10	33	25	10
Custom			

### Engineering Specification:

16 gauge, type 304 stainless mop sink. Top 2-1/2" wide top channel rims. Exposed surfaces polished to a #4 satin finish. With. 2" Or 3" drain.

**⚠ WARNING:**  
This product can expose you to chemicals, which are known to the State of California to cause cancer. For more information, visit [www.P65Warnings.ca.gov](http://www.P65Warnings.ca.gov).

**Wicketts Stainless, LLC**  
2616 San Miguel Dr. Bldg.# 376  
Newport Beach, CA 92660  
Tel. 951-858-2548  
Fax.951-638-9059  
sales@wickettsstainless.com  
www.wickettsstainless.com



Approved for Manufacturing

Company: \_\_\_\_\_  
Signature: \_\_\_\_\_  
Print: \_\_\_\_\_ Date: / /