



## BUILDING THE BASIC PLUS COWBOY DRESSAGE® CHALLENGE COURT

*Drawings, Illustrations are NOT to scale*

For the Basic Plus Challenge Court, you will need a **total** of 192-feet of 3-inch Pvc/Schedule 40 DWV pipe. These are purchased in (20) 10-foot lengths.

Cut: (20) 5-foot lengths, for the octagon, 20-meter circle, and 2 sets of walk-overs.

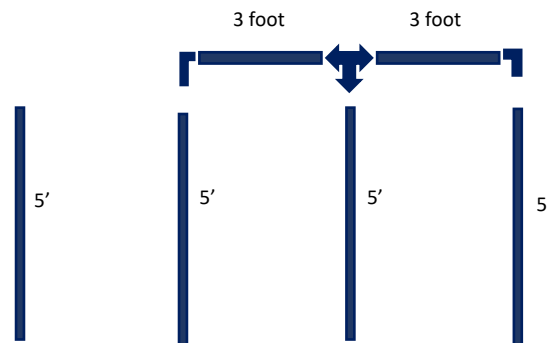
(8) 10-foot lengths, for the outside corners of the court.

(4) 3-foot lengths, to secure the outside of the walk-overs.

Plus, (8) 45-degree “elbows” for the octagon, (4) 90-degree “elbows for the corner poles, (4) 90-degree and (2) “T” for securing the walk-overs. Neither the corner poles, nor the secured walk-overs are mandatory. They add a nice l@@k to the court.

### **Ground Poles/Walk-Overs:**

- You will need (6) 10-foot lengths, 3-inch Pvc/Schedule 40 DWV pipe.
  - Cut (8) 5-foot pieces for the 20-meter walk overs.
  - Cut (4) 3-foot pieces to be used with (4) 90-degree pieces with (2) “T” between these.
- This will give you two sets used for the walk overs with (2) single 5-foot poles.



- Caps are optional for the ends of the walk overs.

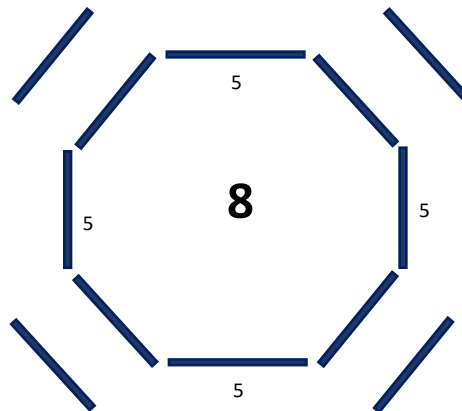


## BUILDING THE BASIC PLUS COWBOY DRESSAGE® CHALLENGE COURT

*Drawings, Illustrations are NOT to scale*

### Octagon:

- You will need (6) 10-foot lengths, 3-inch Pvc/Schedule 40 DWV pipe.
- Cut (12) 5-foot pieces, for the octagon and the outside poles
- You will need (8) 45-degree “elbows” for attaching the octagon together.  
Glue, (1) 45-degree “elbow” to the end of each of the octagon sides.
- Caps are optional for the ends of the (4) walk-overs.



### Corner Poles (Optional):

- You will need (8) 10-foot lengths, 3-inch Pvc/Schedule 40 DWV pipe.
- Layout (8) 10-foot pieces, for the corner poles.
- Secure, glue (4) 90-degree “elbows” to (4) of the 10-foot sections. It is easier to store and move the corners if only one pole for each corner has an “elbow” glued to it.





## BUILDING THE BASIC PLUS COWBOY DRESSAGE® CHALLENGE COURT

*Drawings, Illustrations are NOT to scale*

### Cones:

- (6) 12-inch cones, (2) placed, either side, of “G”, 6-ft. apart. (2) at each corner of “H & Q” and “Y & M”, 4-ft apart and 6’6 ½” in from edge of the arena.
- (4) 18-inch cones, placed between “V-E”, “E-S”, “P-B” and “B-R”. You may want to ordered extra white cones, that match the lettered cones, to fill these places.
- (2) 28-inch cones, or a Gate as described below, for either side of “A”.



### Gate at “A”:

- You'll need a gate, either side of “A”, 48 to 54 inches tall, about 6 ft. apart. We normally use the taller orange cones, or you can use 5-inch square Pvc fencing posts with a cap. Place the Pvc over road column cones, the orange type seen on the highway.



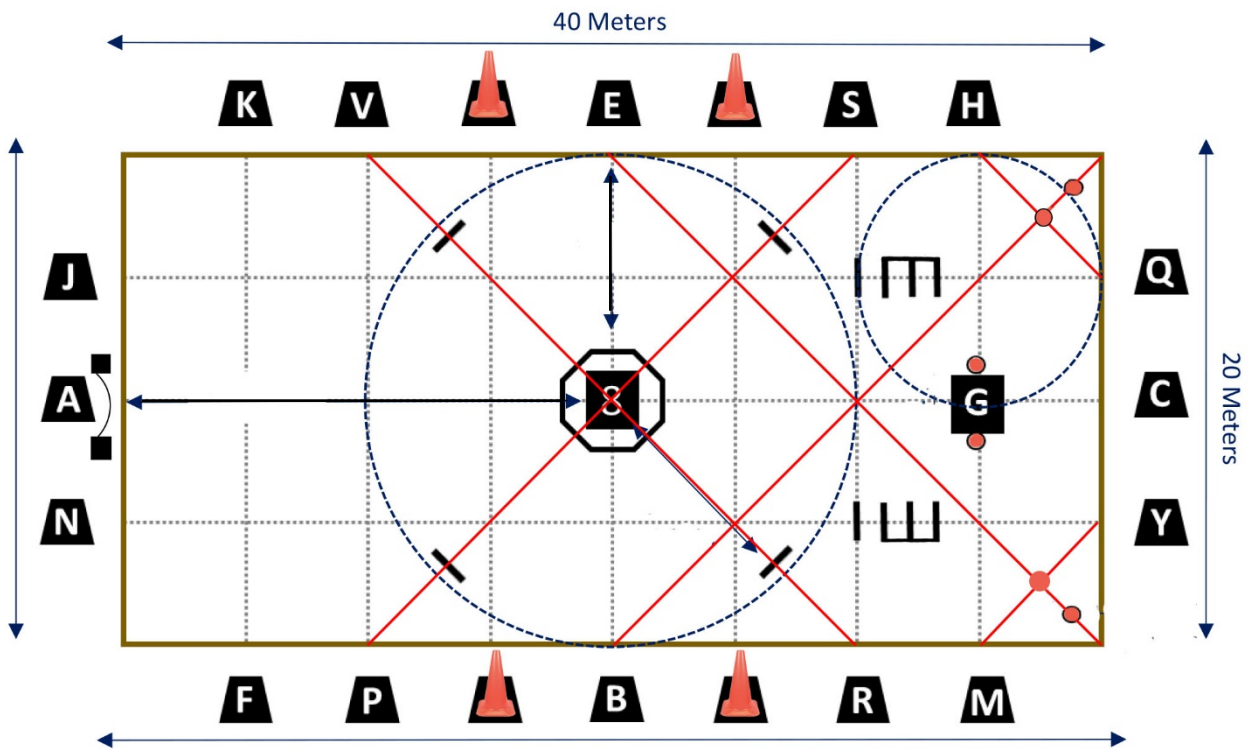
Road Column Cone



# BUILDING THE BASIC PLUS COWBOY DRESSAGE® CHALLENGE COURT

*Drawings, Illustrations are NOT to scale*

## Putting it all Together:



Each square is 5 meters.

40 meters=	131'2 1/4"
20 meters=	65'7 3/8"
10 meters=	32'9 3/4"
5 meters=	16'4 3/8"