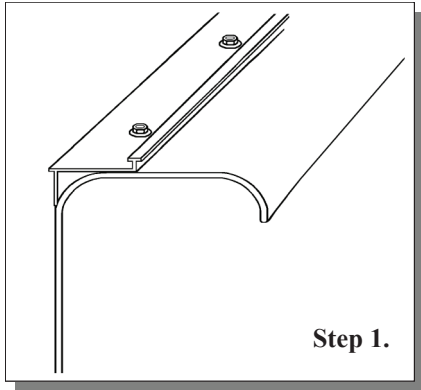
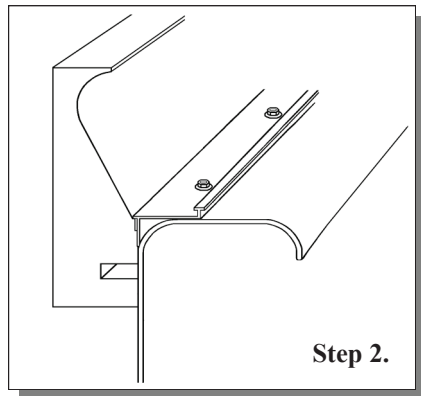


Plumb Strip

Instruction Sheet (May be used with many Stegmeier Cantilever Forms)

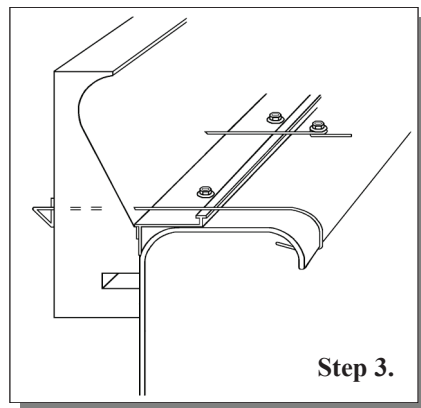


Step 1. Place the Plumb Strip so that it makes the transition from pool wall to top lip square and screw it down.

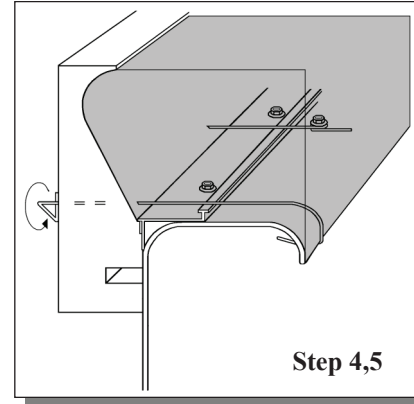


Step 2. Peel the paper off the tape. Stick the form to the plumb strip and pool wall, with the lower edge of the form profile even with the top of the plumb strip.

Note: In cold weather it may be helpful to heat the plumb strip and pool wall.

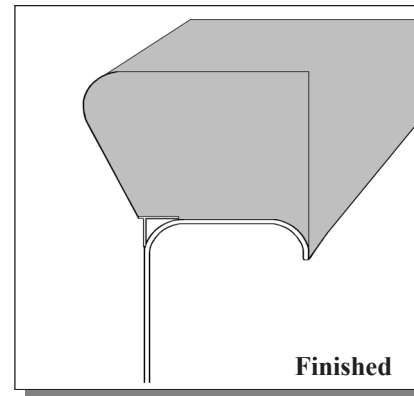


Step 3. Push the tie wire through the form even with the top of plumb strip. Wrap the end of the tie wire around the screw, while applying slight pressure.



Step 4. Tap or vibrate the form, as you pour, to help avoid honeycomb.

Step 5. When the concrete will support its own weight, remove the tie wires by twisting clockwise. Pull the form down and away to remove.



Note: Remove the forms, on piece at a time, will keep moisture in the concrete. This will help give adequate time to finish.