



Prices effective April 6, 2026

Published April 2026

Cosm® Chairs

HermanMiller list prices shown are in USD.

For HermanMiller Canadian prices, multiply the USD list price by a factor of 1.20---effective April 2026.

Introduction	page 2
Cosm® Chairs	3
Work Chairs	5
Work Stools	13
Arm Kit	17
Indices	19
By Name	19
By Number	21
Appendices	
20-Day or Less/Assigned Lead-Time Order Information	
Casters and Glides	
For the latest materials information, refer to the Materials pages on HermanMiller.com.	

Introduction

A Note on the Organization of This Book

There are a few signals that will help you understand the organization of this book. Once you know them, you should be able to find your way around easily.

Like a newspaper, this book is formatted with columns of text and illustrations that run vertically.

Information wraps from one column to the next and continues for as many pages as it needs to.

Black bars are clues.

A black bar at the top of a page signals the start of information about a product.

This information is divided into two sections, each signaled by a black bar. Product Information includes a description, additional notes, and dimensional drawings. Specification Information, which always begins at the top of a column, includes a series of steps. Each step represents a decision you need to make in order to complete your product number. Steps must be followed sequentially. The number of pages needed to complete information on a product varies; some will be complete in one page; others may fill three or four pages. Just continue going through the steps until you run into the next product, signaled by the black bar at the top of the page.

Black tabs running along the outside edge of the page help you locate what section you are in or what section you want to go to. You can thumb forwards or backwards to find a section; tabs and text appear on both sides of the page.

The additional pages in the back of the book include the appendices and indices. They are signaled by a long black bar running along the outside edge of the page.

The index is presented two ways.

The first index is in alphabetical order by product name. It can be helpful if you are new to the products and numbering scheme or if you are looking for a type of product, such as work chair or round table.

The second index is by product number. It lists, in alphanumeric order, the base product number, typically a five-digit number.

General Information

This book is effective April 6, 2026, subject to change without notice. Products may be purchased from authorized Herman Miller dealers who will quote prices upon request. For more information about our products and services or to see a list of dealers, visit www.HermanMiller.com.


All prices are list prices. Additional services, such as planning services, design, storage, and installation, are not included and must be added to these prices when the additional services are requested.


Illustrations, specifications, and prices are based on the latest information at the time of publication. The right is reserved to make changes at any time without notice in prices, fabrics, finishes, materials, specifications, and models, and also to discontinue models and finishes.

Dimensions shown in the drawings are engineering drawing dimensions rounded up to the nearest $\frac{1}{8}$ ". Product is shipped set up or knocked down. Products that include "Shipped knocked down" in the description require some assembly. If this statement does not appear in the description, the product is shipped assembled.

Service problems are normally handled by a Herman Miller authorized dealer. Where this cannot be accomplished on a local level, service problems should be referred to the Customer Care Representative for your region, Herman Miller, Inc., Zeeland, Michigan 49464.

20-Day or Less/Assigned Lead-Time Shipments

All products and options in this price book not designated by an Assigned Program icon  will ship in **20 business days or less** after being acknowledged by Herman Miller.

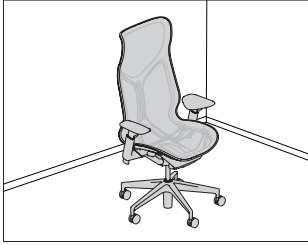
Products and options designated by an  are on the assigned lead-time program and may ship in 20 days, less than 20 days, or more than 20 days from order acknowledgement.

Work Chairs

Work Stools

Cosm® Work Chair

FLC14
FLC15
FLC16



Product Information

Description

This work chair has sophisticated ergonomic design that instantly responds to your body, movement, and posture to provide natural balance and total support. It is available in various back heights, height-adjustment ranges, and arm options. The high back chair provides total back support including upper-thoracic support. Mid back chair provides support up to the scapular region, and low-back chair fosters collaboration and casual movements through the wrap top.

The Auto-Harmonic tilt is the first adjusting tilt from Herman Miller. The tilt gives each sitter individual support and a balanced recline that lets the body naturally pivot at the ankles, knees and hips.

Any back height can be paired with any arm option. Arm options include no arms, a fixed nonadjustable arm, a height-adjustable arm, and the innovative leaf arm. Height-adjustable arm moves 4.4" vertically. Leaf arm is nonadjustable and supports your elbow while also clearing the work surface due to the angled arm position.

The chair has one hue from top to bottom—nightfall, glacier, or canyon. It is also available in graphite, carbon, and studio white. Any color of the Intercept suspension material can be paired with any frame color.

Notes

Height-adjustable arms are only available on chair with graphite, carbon, or studio white frame.

For information on casters and glides, see Casters and Glides in appendices.

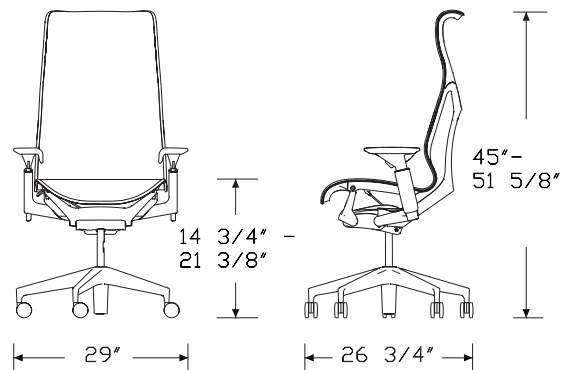
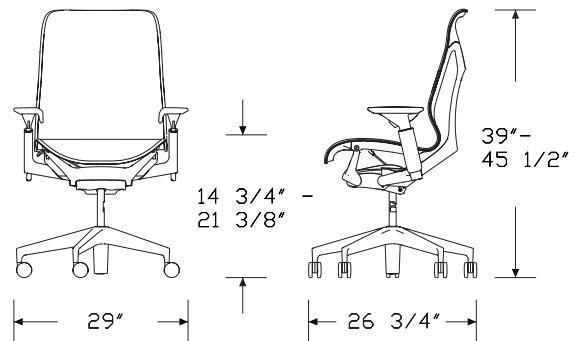
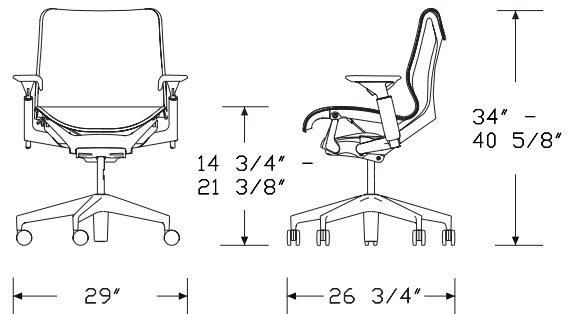
As with any material or textile, dye transfer may occur on seating surfaces, being more noticeable on lighter color expressions (for example: mineral on Aeron®, fog on Mirra® 2). If this is a concern, we recommend selecting a darker color expression on which dye transfer will be less noticeable. As a reminder, dye transfer is not covered under the Herman Miller warranty.

MicrobeCare™ is an antimicrobial coating that can be applied to a wide variety of Herman Miller Group surfaces to protect products from mold, mildew, algae, and bacteria that cause deterioration, discoloration, odors, and stains.

MicrobeCare™ is a US Environmental Protection Agency (EPA) registered nonpublic health antimicrobial.

MicrobeCare™ is applied to the major touchpoints, including the seat, backrest, arms, armrests, frame and adjustment controls.

Dimensions



Cosm® Work Chairs

Specification Information

Step 1.

FLC1

Step 2. Back Height

4	low back height	+\$1714
5	mid back height	+\$1784
6	high back height	+\$1892

Step 3. Height Adjustment

2	standard-height range	+\$0
3	high-height range	+\$0

Step 4. Tilt

S	auto-harmonic tilt	+\$0
----------	--------------------	------

Step 5. Seat Depth

F	fixed seat depth	+\$0
----------	------------------	------

Step 6. Arms

N	no arms	+\$0
P	fixed arms	+\$126
H	height-adjustable arms	+\$246
J	leaf arms	+\$301

Step 7. Frame Finish

G1	graphite (CP)	+\$0
CRB	carbon (CP)	+\$55
98	studio white (CP)	+\$75
MG1	graphite with MicrobeCare™ A	+\$70
MCR	carbon with MicrobeCare™ A	+\$125
M98	studio white with MicrobeCare™ A	+\$145

Step 8. Chassis Finish

For graphite (CP) (G1) or graphite with MicrobeCare™ (MG1)

G1	graphite (CP)	+\$0
L7	silver alloy	+\$40

For carbon (CP) (CRB) or carbon with MicrobeCare™ (MCR)

CRB	carbon (CP)	+\$0
L7	silver alloy	+\$40

For studio white (CP) (98) or studio white with MicrobeCare™ (M98)

98	studio white (CP)	+\$0
L7	silver alloy	+\$40

Step 9. Base Finish

For graphite (CP) (G1)

G1	graphite (CP)	+\$0
5Y	semi-polished	+\$160

For silver alloy (L7)

5Y	semi-polished	+\$160
-----------	---------------	--------

For carbon (CP) (CRB)

CRB	carbon (CP)	+\$0
5Y	semi-polished	+\$160

For studio white (CP) (98)

VPR	mineral	+\$0
5Y	semi-polished	+\$160

Step 10. Casters/Glides

BKS	2½ inch hard caster, black yoke, quiet roll technology, carpet only	+\$0
OC	2½ inch, medium roll resistance, hard floor or carpet, quiet roll technology	+\$55
SC8	2½ inch, hard floor or carpet, quiet roll technology	+\$50
GF	2½" glide, hard floors or carpet	+\$25

Step 11. Armpad Finish

For height-adjustable arms (H)

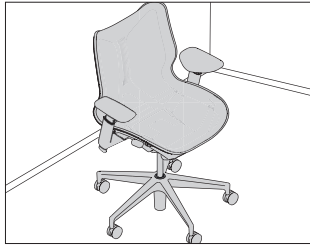
BK	black	+\$0
CRB	carbon (CP)	+\$0
VPR	mineral	+\$0

Step 12. Intercept Suspension Material

Price Category 1	+\$0
------------------	------

Cosm® Work Chair, Ready to Assemble

FLC24
FLC25
FLC26



Product Information

Description

This ready to assemble work chair has sophisticated ergonomic design that instantly responds to your body, movement, and posture to provide natural balance and total support. It is available in various back heights, height-adjustment ranges, and arm options. The high back chair provides total back support including upper-thoracic support. Mid back chair provides support up to the scapular region, and low-back chair fosters collaboration and casual movements through the wrap top.

The Auto-Harmonic tilt is the first adjusting tilt from Herman Miller. The tilt gives each sitter individual support and a balanced recline that lets the body naturally pivot at the ankles, knees and hips.

Any back height can be paired with any arm option. Arm options include no arms, a fixed nonadjustable arm, and a height-adjustable arm. Height-adjustable arm moves 4.4" vertically.

The chair has one hue from top to bottom—nightfall, glacier, or canyon.

It is also available in graphite, carbon, and studio white. Any color of the Intercept suspension material can be paired with any frame color.

Notes

Height-adjustable arms are only available on chair with graphite, carbon, or studio white frame.

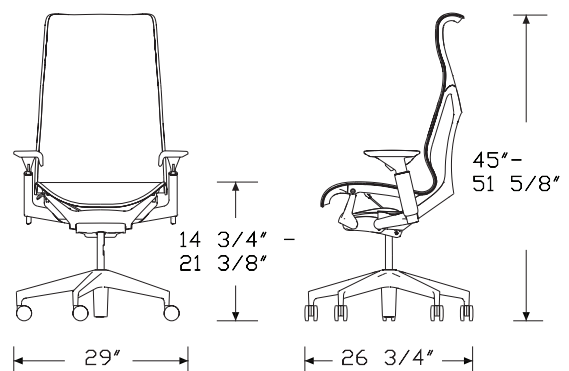
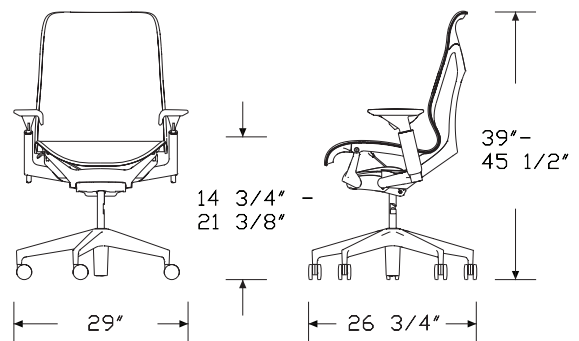
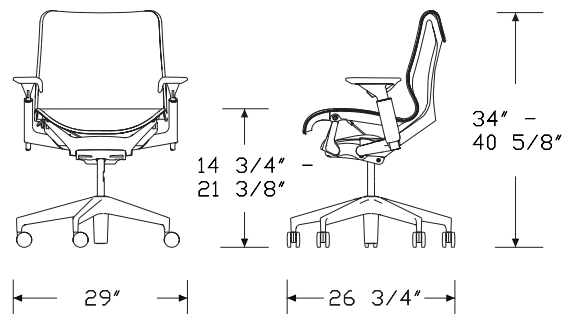
For information on casters and glides, see Casters and Glides in appendices.

As with any material or textile, dye transfer may occur on seating surfaces, being more noticeable on lighter color expressions (for example: mineral on Aeron®, fog on Mirra® 2). If this is a concern, we recommend selecting a darker color expression on which dye transfer will be less noticeable. As a reminder, dye transfer is not covered under the Herman Miller warranty. MicrobeCare™ is an antimicrobial coating that can be applied to a wide variety of Herman Miller Group surfaces to protect products from mold, mildew, algae, and bacteria that cause deterioration, discoloration, odors, and stains.

MicrobeCare™ is a US Environmental Protection Agency (EPA) registered nonpublic health antimicrobial.

MicrobeCare™ is applied to the major touchpoints, including the seat, backrest, arms, armrests, frame and adjustment controls.

Dimensions



Cosm® Work Chair, Ready to Assemble *continued*

Specification Information

Step 1.

FLC2

Step 2. Back Height

4	low back height	+\$1714
5	mid back height	+\$1784
6	high back height	+\$1892

Step 3. Height Adjustment

2	standard-height range	+\$0
3	high-height range	+\$0

Step 4. Tilt

S	auto-harmonic tilt	+\$0
----------	--------------------	------

Step 5. Seat Depth

F	fixed seat depth	+\$0
----------	------------------	------

Step 6. Arms

N	no arms	+\$0
P	fixed arms	+\$126
H	height-adjustable arms	+\$246

Step 7. Frame Finish

G1	graphite (CP)	+\$0
CRB	carbon (CP)	+\$55
98	studio white (CP)	+\$75
MG1	graphite with MicrobeCare™ <input type="checkbox"/> A	+\$70
MCR	carbon with MicrobeCare™ <input type="checkbox"/> A	+\$125
M98	studio white with MicrobeCare™ <input type="checkbox"/> A	+\$145

Step 8. Chassis Finish

For graphite (CP) (G1) or graphite with MicrobeCare™ (MG1)

G1	graphite (CP)	+\$0
L7	silver alloy	+\$40

For carbon (CP) (CRB) or carbon with MicrobeCare™ (MCR)

CRB	carbon (CP)	+\$0
L7	silver alloy	+\$40

For studio white (CP) (98) or studio white with MicrobeCare™ (M98)

98	studio white (CP)	+\$0
L7	silver alloy	+\$40

Step 9. Base Finish

For graphite (CP) (G1)

G1	graphite (CP)	+\$0
5Y	semi-polished	+\$160

For silver alloy (L7)

5Y	semi-polished	+\$160
-----------	---------------	--------

For carbon (CP) (CRB)

CRB	carbon (CP)	+\$0
5Y	semi-polished	+\$160

For studio white (CP) (98)

VPR	mineral	+\$0
5Y	semi-polished	+\$160

Step 10. Casters/Glides

BKS	2½ inch hard caster, black yoke, quiet roll technology, carpet only	+\$0
GF	2½" glide, hard floors or carpet	+\$25
SC8	2½ inch, hard floor or carpet, quiet roll technology	+\$50
OC	2½ inch, medium roll resistance, hard floor or carpet, quiet roll technology	+\$55

Step 11. Armpad Finish

For height-adjustable arms (H)

BK	black	+\$0
CRB	carbon (CP)	+\$0
VPR	mineral	+\$0

Step 12. Intercept Suspension Material

Price Category 1	+\$0
------------------	------

Cosm® Work Chair, Dipped in Color

FLC34
FLC35
FLC36



Product Information

Description

This work chair has sophisticated ergonomic design that instantly responds to your body, movement, and posture to provide natural balance and total support. It is available in various back heights, height-adjustment ranges, and arm options. The high back chair provides total back support including upper-thoracic support. Mid back chair provides support up to the scapular region, and low-back chair fosters collaboration and casual movements through the wrap top.

The Auto-Harmonic tilt is the first adjusting tilt from Herman Miller. The tilt gives each sitter individual support and a balanced recline that lets the body naturally pivot at the ankles, knees and hips.

Any back height can be paired with any arm option. Arm options include no arms, fixed nonadjustable arms, height-adjustable arms, and the innovative leaf arms. Height-adjustable arm moves 4.4" vertically. Leaf arm is nonadjustable and supports your elbow while also clearing the work surface due to the angled arm position.

The chair has one hue from top to bottom—nightfall, glacier, or canyon. It is also available in graphite, carbon, and mineral. Any color of the Intercept suspension material can be paired with any frame color.

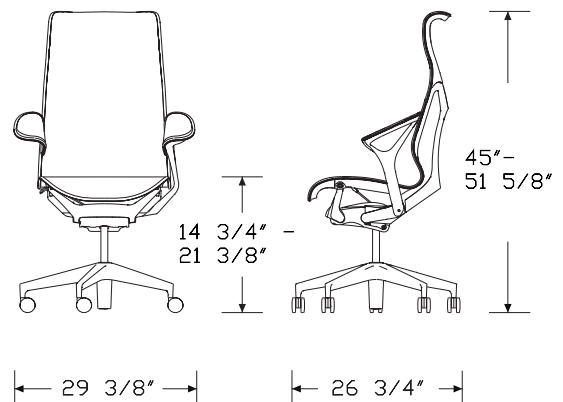
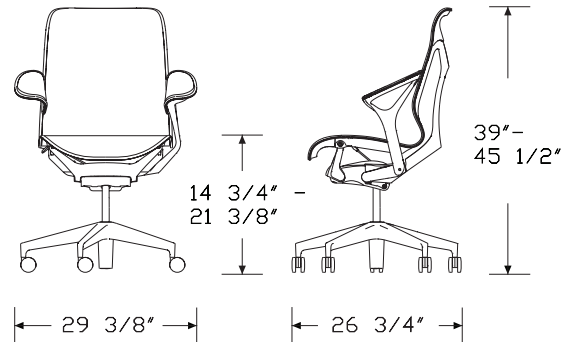
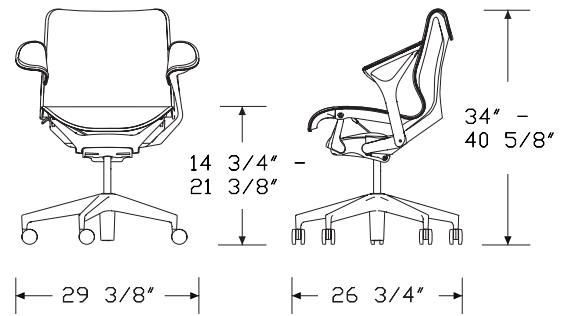
Notes

For information on casters and glides, see Casters and Glides in appendices. As with any material or textile, dye transfer may occur on seating surfaces, being more noticeable on lighter color expressions (for example: mineral on Aeron®, fog on Mirra® 2). If this is a concern, we recommend selecting a darker color expression on which dye transfer will be less noticeable. As a reminder, dye transfer is not covered under the Herman Miller warranty. MicrobeCare™ is an antimicrobial coating that can be applied to a wide variety of Herman Miller Group surfaces to protect products from mold, mildew, algae, and bacteria that cause deterioration, discoloration, odors, and stains.

MicrobeCare™ is a US Environmental Protection Agency (EPA) registered nonpublic health antimicrobial.

MicrobeCare™ is applied to the major touchpoints, including the seat, backrest, arms, armrests, frame and adjustment controls.

Dimensions



Cosm® Work Chairs

Cosm® Work Chair, Dipped in Color

continued

Cosm® Work Chairs

Specification Information

Step 1.

FLC3

Step 2. Back Height

4	low back height	+\$1996
5	mid back height	+\$2070
6	high back height	+\$2177

Step 3. Height Adjustment

2	standard-height range	+\$0
3	high-height range	+\$0

Step 4. Tilt

S	auto-harmonic tilt	+\$0
----------	--------------------	------

Step 5. Seat Depth

F	fixed seat depth	+\$0
----------	------------------	------

Step 6. Arms

N	no arms	+\$0
P	fixed arms	+\$126
J	leaf arms	+\$301
H	height-adjustable arms	+\$246

Step 7. Full Color

DN2	nightfall	+\$0
DB3	glacier	+\$0
DR1	canyon	+\$0
MN2	nightfall with MicrobeCare™ <input type="checkbox"/>	+\$70
MB3	glacier with MicrobeCare™ <input type="checkbox"/>	+\$70
MR1	canyon with MicrobeCare™ <input type="checkbox"/>	+\$70

Step 8. Chassis Finish

For nightfall (DN2) or nightfall with MicrobeCare™ (MN2)

DN2	nightfall	+\$0
------------	-----------	------

For glacier (DB3) or glacier with MicrobeCare™ (MB3)

DB3	glacier	+\$0
------------	---------	------

For canyon (DR1) or canyon with MicrobeCare™ (MR1)

DR1	canyon	+\$0
------------	--------	------

Step 9. Base Finish

For nightfall (DN2)

DN2	nightfall	+\$0
5Y	semi-polished	+\$160

For glacier (DB3)

DB3	glacier	+\$0
5Y	semi-polished	+\$160

For canyon (DR1)

5Y	semi-polished	+\$160
DR1	canyon	+\$0

Step 10. Casters/Glides

For nightfall (DN2) or semi-polished (5Y)

BKS	2½ inch hard caster, black yoke, quiet roll technology, carpet only	-\$55
GF	2½" glide, hard floors or carpet	-\$30
SC8	2½ inch, hard floor or carpet, quiet roll technology	-\$5
OC	2½ inch, medium roll resistance, hard floor or carpet, quiet roll technology	+\$0
O2N	2½ inch, hard floor or carpet, quiet roll technology, nightfall	+\$0

For glacier (DB3) or semi-polished (5Y)

BKS	2½ inch hard caster, black yoke, quiet roll technology, carpet only	-\$55
GF	2½" glide, hard floors or carpet	-\$30
SC8	2½ inch, hard floor or carpet, quiet roll technology	-\$5
OC	2½ inch, medium roll resistance, hard floor or carpet, quiet roll technology	+\$0
O2B	2½ inch, hard floor or carpet, quiet roll technology, glacier	+\$0

For semi-polished (5Y) or canyon (DR1)

BKS	2½ inch hard caster, black yoke, quiet roll technology, carpet only	-\$55
GF	2½" glide, hard floors or carpet	-\$30
SC8	2½ inch, hard floor or carpet, quiet roll technology	-\$5
OC	2½ inch, medium roll resistance, hard floor or carpet, quiet roll technology	+\$0
O2R	2½ inch, hard floor or carpet, quiet roll technology, canyon	+\$0

Step 11. Intercept Suspension Material

Price Category 1	+\$0
------------------	------

Cosm® Work Chair, Dipped in Color,
Ready to Assemble

FLC44
FLC45
FLC46



Product Information

Description

This ready to assemble work chair has sophisticated ergonomic design that instantly responds to your body, movement, and posture to provide natural balance and total support. It is available in various back heights, height-adjustment ranges, and arm options. The high back chair provides total back support including upper-thoracic support. Mid back chair provides support up to the scapular region, and low-back chair fosters collaboration and casual movements through the wrap top.

The Auto-Harmonic tilt is the first adjusting tilt from Herman Miller. The tilt gives each sitter individual support and a balanced recline that lets the body naturally pivot at the ankles, knees and hips.

Any back height can be paired with any arm option. Arm options include no arms, fixed nonadjustable arms, and height-adjustable arms.

The chair has one hue from top to bottom—nightfall, glacier, or canyon. It is also available in graphite, carbon, and mineral. Any color of the Intercept suspension material can be paired with any frame color.

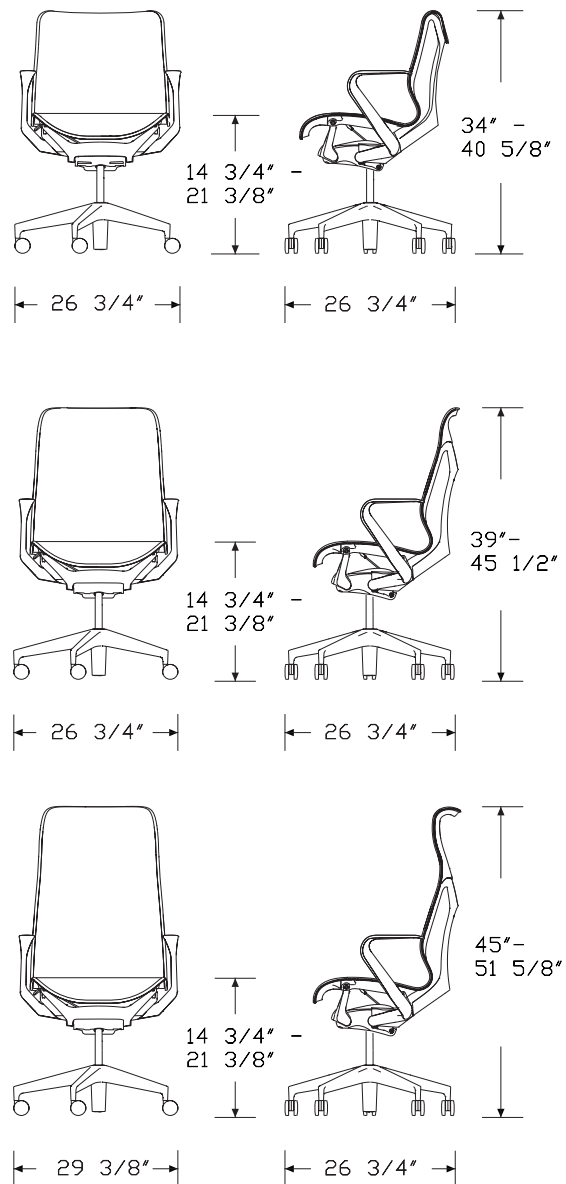
Notes

For information on casters and glides, see Casters and Glides in appendices. As with any material or textile, dye transfer may occur on seating surfaces, being more noticeable on lighter color expressions (for example: mineral on Aeron®, fog on Mirra® 2). If this is a concern, we recommend selecting a darker color expression on which dye transfer will be less noticeable. As a reminder, dye transfer is not covered under the Herman Miller warranty. MicrobeCare™ is an antimicrobial coating that can be applied to a wide variety of Herman Miller Group surfaces to protect products from mold, mildew, algae, and bacteria that cause deterioration, discoloration, odors, and stains.

MicrobeCare™ is a US Environmental Protection Agency (EPA) registered nonpublic health antimicrobial.

MicrobeCare™ is applied to the major touchpoints, including the seat, backrest, arms, armrests, frame and adjustment controls.

Dimensions



Cosm® Work Chair, Dipped in Color,
Ready to Assemble *continued*

Specification Information		
Step 1.		
FLC4		
Step 2. Back Height		
4	low back height	+\$1996
5	mid back height	+\$2070
6	high back height	+\$2177
Step 3. Height Adjustment		
2	standard-height range	+\$0
3	high-height range	+\$0
Step 4. Tilt		
S	auto-harmonic tilt	+\$0
Step 5. Seat Depth		
F	fixed seat depth	+\$0
Step 6. Arms		
N	no arms	+\$0
P	fixed arms	+\$126
H	height-adjustable arms	+\$246
Step 7. Full Color		
DN2	nightfall	+\$0
DB3	glacier	+\$0
DR1	canyon	+\$0
MN2	nightfall with MicrobeCare™ <input type="checkbox"/> A	+\$70
MB3	glacier with MicrobeCare™ <input type="checkbox"/> A	+\$70
MR1	canyon with MicrobeCare™ <input type="checkbox"/> A	+\$70
Step 8. Chassis Finish		
<i>For nightfall (DN2) or nightfall with MicrobeCare™ (MN2)</i>		
DN2	nightfall	+\$0
<i>For glacier (DB3) or glacier with MicrobeCare™ (MB3)</i>		
DB3	glacier	+\$0
<i>For canyon (DR1) or canyon with MicrobeCare™ (MR1)</i>		
DR1	canyon	+\$0

Step 9. Base Finish		
<i>For nightfall (DN2)</i>		
DN2	nightfall	+\$0
5Y	semi-polished	+\$160
<i>For glacier (DB3)</i>		
DB3	glacier	+\$0
5Y	semi-polished	+\$160
<i>For canyon (DR1)</i>		
DR1	canyon	+\$0
5Y	semi-polished	+\$160
Step 10. Casters/Glides		
<i>For nightfall (DN2) or semi-polished (5Y)</i>		
BKS	2½ inch hard caster, black yoke, quiet roll technology, carpet only	-\$55
GF	2½" glide, hard floors or carpet	-\$30
SC8	2½ inch, hard floor or carpet, quiet roll technology	-\$5
OC	2½ inch, medium roll resistance, hard floor or carpet, quiet roll technology	+\$0
O2N	2½ inch, hard floor or carpet, quiet roll technology, nightfall	+\$0
<i>For glacier (DB3) or semi-polished (5Y)</i>		
BKS	2½ inch hard caster, black yoke, quiet roll technology, carpet only	-\$55
GF	2½" glide, hard floors or carpet	-\$30
SC8	2½ inch, hard floor or carpet, quiet roll technology	-\$5
OC	2½ inch, medium roll resistance, hard floor or carpet, quiet roll technology	+\$0
O2B	2½ inch, hard floor or carpet, quiet roll technology, glacier	+\$0
<i>For canyon (DR1) or semi-polished (5Y)</i>		
BKS	2½ inch hard caster, black yoke, quiet roll technology, carpet only	-\$55
GF	2½" glide, hard floors or carpet	-\$30
SC8	2½ inch, hard floor or carpet, quiet roll technology	-\$5
OC	2½ inch, medium roll resistance, hard floor or carpet, quiet roll technology	+\$0
O2R	2½ inch, hard floor or carpet, quiet roll technology, canyon	+\$0
Step 11. Intercept Suspension Material		
Price Category 1		+\$0



Product Information

Description

This work stool has sophisticated ergonomic design that instantly responds to your body, movement, and posture to provide natural balance and total support. It is available in various back heights, height-adjustment ranges, and arm options. Mid back stool provides support up to the scapular region, and low-back stool fosters collaboration and casual movements through the wrap top.

The Auto-Harmonic tilt is the first adjusting tilt from Herman Miller. The tilt gives each sitter individual support and a balanced recline that lets the body naturally pivot at the ankles, knees and hips.

Any back height can be paired with any arm option. Arm options include no arms, a fixed nonadjustable arm, a height-adjustable arm, and the innovative leaf arm. Height-adjustable arm moves 4.4" vertically. Leaf arm is nonadjustable and supports your elbow while also clearing the work surface due to the angled arm position.

The stool has one hue from top to bottom—nightfall, glacier, or canyon.

It is also available in graphite, carbon, and studio white. Any color of the Intercept suspension material can be paired with any frame color.

Notes

Height-adjustable arms are only available on stool with graphite, carbon, or studio white frame.

20"-diameter footrest adjusts 4 1/2" in height. Footrest available in trivalent chrome. Column and ring are black.

For information on casters and glides, see Casters and Glides in appendices.

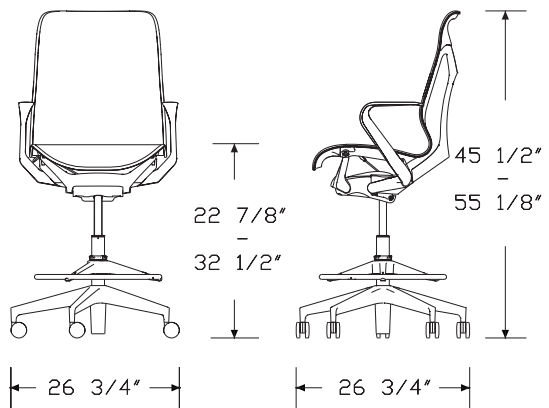
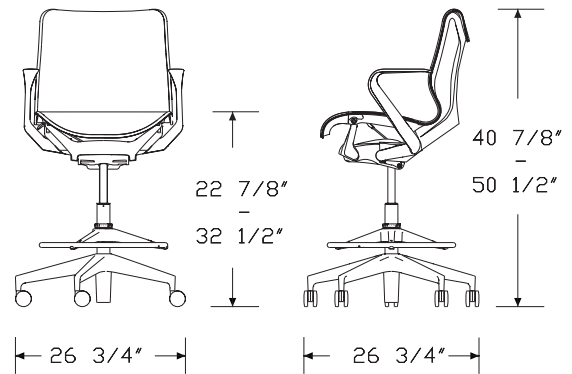
As with any material or textile, dye transfer may occur on seating surfaces, being more noticeable on lighter color expressions (for example: mineral on Aeron®, fog on Mirra® 2). If this is a concern, we recommend selecting a darker color expression on which dye transfer will be less noticeable. As a reminder, dye transfer is not covered under the Herman Miller warranty.

MicrobeCare™ is an antimicrobial coating that can be applied to a wide variety of Herman Miller Group surfaces to protect products from mold, mildew, algae, and bacteria that cause deterioration, discoloration, odors, and stains.

MicrobeCare™ is a US Environmental Protection Agency (EPA) registered nonpublic health antimicrobial.

MicrobeCare™ is applied to the major touchpoints, including the seat, backrest, arms, armrests, frame and adjustment controls.

Dimensions



Specification Information

Step 1.

FLC7

Step 2. Back Height

4	low back height	+\$2097
5	mid back height	+\$2168

Step 3. Height Adjustment

5	stool extended height range	+\$0
----------	-----------------------------	------

Step 4. Tilt

S	auto-harmonic tilt	+\$0
----------	--------------------	------

Step 5. Seat Depth

F	fixed seat depth	+\$0
----------	------------------	------

Step 6. Arms

N	no arms	+\$0
P	fixed arms	+\$126
H	height-adjustable arms	+\$246
J	leaf arms	+\$301

Step 7. Frame Finish

G1	graphite (CP)	+\$0
CRB	carbon (CP)	+\$55
98	studio white (CP)	+\$75
MG1	graphite with MicrobeCare™ A	+\$70
MCR	carbon with MicrobeCare™ A	+\$125
M98	studio white with MicrobeCare™ A	+\$145

Step 8. Chassis Finish

For graphite (CP) (G1) or graphite with MicrobeCare™ (MG1)

G1	graphite (CP)	+\$0
L7	silver alloy	+\$40

For carbon (CP) (CRB) or carbon with MicrobeCare™ (MCR)

CRB	carbon (CP)	+\$0
L7	silver alloy	+\$40

For studio white (CP) (98) or studio white with MicrobeCare™ (M98)

98	studio white (CP)	+\$0
L7	silver alloy	+\$40

Step 9. Base Finish

For graphite (CP) (G1)

G1	graphite (CP)	+\$0
5Y	semi-polished	+\$160

For silver alloy (L7)

5Y	semi-polished	+\$160
-----------	---------------	--------

For carbon (CP) (CRB)

CRB	carbon (CP)	+\$0
5Y	semi-polished	+\$160

For studio white (CP) (98)

VPR	mineral	+\$0
5Y	semi-polished	+\$160

Step 10. Casters/Glides

BKS	2½ inch hard caster, black yoke, quiet roll technology, carpet only	+\$0
OC	2½ inch, medium roll resistance, hard floor or carpet, quiet roll technology	+\$55
SC8	2½ inch, hard floor or carpet, quiet roll technology	+\$50
GF	2½" glide, hard floors or carpet	+\$25

Step 11. Armpad Finish

For height-adjustable arms (H)

BK	black	+\$0
CRB	carbon (CP)	+\$0
VPR	mineral	+\$0

Step 12. Intercept Suspension Material

Price Category 1	+\$0
------------------	------

Cosm® Work Stool, Dipped in Color

FLC84
FLC85



Product Information

Description

This work stool has sophisticated ergonomic design that instantly responds to your body, movement, and posture to provide natural balance and total support. It is available in various back heights, height-adjustment ranges, and arm options. Mid back stool provides support up to the scapular region, and low-back stool fosters collaboration and casual movements through the wrap top.

The Auto-Harmonic tilt is the first adjusting tilt from Herman Miller. The tilt gives each sitter individual support and a balanced recline that lets the body naturally pivot at the ankles, knees and hips.

Any back height can be paired with any arm option. Arm options include no arms, fixed nonadjustable arms, height-adjustable arms, and the innovative leaf arms. Height-adjustable arm moves 4.4" vertically. Leaf arm is nonadjustable and supports your elbow while also clearing the work surface due to the angled arm position.

The stool has one hue from top to bottom—nightfall, glacier, or canyon. It is also available in graphite, carbon, and mineral. Any color of the Intercept suspension material can be paired with any frame color.

Notes

20"-diameter footrest adjusts 4½" in height. Footrest available in trivalent chrome. Column and ring are black.

For information on casters and glides, see Casters and Glides in appendices.

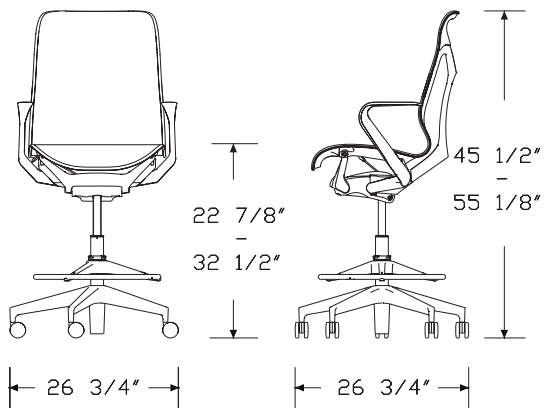
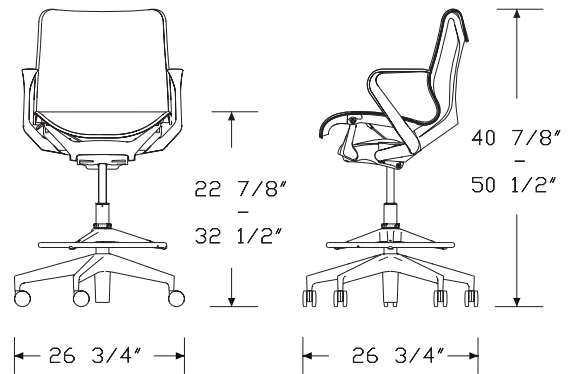
As with any material or textile, dye transfer may occur on seating surfaces, being more noticeable on lighter color expressions (for example: mineral on Aeron®, fog on Mirra® 2). If this is a concern, we recommend selecting a darker color expression on which dye transfer will be less noticeable. As a reminder, dye transfer is not covered under the Herman Miller warranty.

MicrobeCare™ is an antimicrobial coating that can be applied to a wide variety of Herman Miller Group surfaces to protect products from mold, mildew, algae, and bacteria that cause deterioration, discoloration, odors, and stains.

MicrobeCare™ is a US Environmental Protection Agency (EPA) registered nonpublic health antimicrobial.

MicrobeCare™ is applied to the major touchpoints, including the seat, backrest, arms, armrests, frame and adjustment controls.

Dimensions



Cosm® Work Stools

Cosm® Work Stool, Dipped in Color

continued

Cosm® Work Stools

Specification Information

Step 1.

FLC8

Step 2. Back Height

4	low back height	+\$2384
5	mid back height	+\$2453

Step 3. Height Adjustment

5	stool extended height range	+\$0
----------	-----------------------------	------

Step 4. Tilt

S	auto-harmonic tilt	+\$0
----------	--------------------	------

Step 5. Seat Depth

F	fixed seat depth	+\$0
----------	------------------	------

Step 6. Arms

N	no arms	+\$0
P	fixed arms	+\$126
H	height-adjustable arms	+\$246
J	leaf arms	+\$301

Step 7. Frame Finish

DN2	nightfall	+\$0
DB3	glacier	+\$0
DR1	canyon	+\$0
MN2	nightfall with MicrobeCare™ A	+\$70
MB3	glacier with MicrobeCare™ A	+\$70
MR1	canyon with MicrobeCare™ A	+\$70

Step 8. Chassis Finish

For nightfall (DN2) or nightfall with MicrobeCare™ (MN2)

DN2	nightfall	+\$0
------------	-----------	------

For glacier (DB3) or glacier with MicrobeCare™ (MB3)

DB3	glacier	+\$0
------------	---------	------

For canyon (DR1) or canyon with MicrobeCare™ (MR1)

DR1	canyon	+\$0
------------	--------	------

Step 9. Base Finish

For nightfall (DN2)

DN2	nightfall	+\$0
5Y	semi-polished	+\$160

For glacier (DB3)

DB3	glacier	+\$0
5Y	semi-polished	+\$160

For canyon (DR1)

DR1	canyon	+\$0
5Y	semi-polished	+\$160

Step 10. Casters/Glides

For nightfall (DN2) or semi-polished (5Y)

BKS	2½ inch hard caster, black yoke, quiet roll technology, carpet only	-\$55
GF	2½" glide, hard floors or carpet	-\$30
SC8	2½ inch, hard floor or carpet, quiet roll technology	-\$5
OC	2½ inch, medium roll resistance, hard floor or carpet, quiet roll technology	+\$0
O2N	2½ inch, hard floor or carpet, quiet roll technology, nightfall	+\$0

For glacier (DB3) or semi-polished (5Y)

BKS	2½ inch hard caster, black yoke, quiet roll technology, carpet only	-\$55
GF	2½" glide, hard floors or carpet	-\$30
SC8	2½ inch, hard floor or carpet, quiet roll technology	-\$5
OC	2½ inch, medium roll resistance, hard floor or carpet, quiet roll technology	+\$0
O2B	2½ inch, hard floor or carpet, quiet roll technology, glacier	+\$0

For canyon (DR1) or semi-polished (5Y)

BKS	2½ inch hard caster, black yoke, quiet roll technology, carpet only	-\$55
GF	2½" glide, hard floors or carpet	-\$30
SC8	2½ inch, hard floor or carpet, quiet roll technology	-\$5
OC	2½ inch, medium roll resistance, hard floor or carpet, quiet roll technology	+\$0
O2R	2½ inch, hard floor or carpet, quiet roll technology, canyon	+\$0

Step 11. Intercept Suspension Material

Price Category 1	+\$0
------------------	------

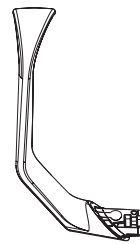


Product Information

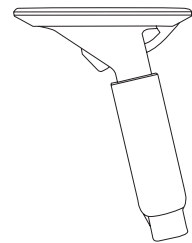
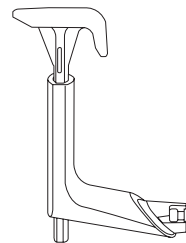
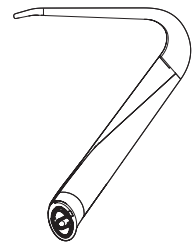
Description

These arms can be retrofitted to a Cosm™ work chair. Kit is available with fixed arms, height adjustable arms, or leaf arms. Fixed arm has a height of 8.6" from seat to top of arm. Height adjustable arm moves 4.4" vertically, from 7.3" to 11.7" above seat. Leaf arm is a fixed height arm with an angled suspension rest designed to support the elbow. Arm components are preassembled.

Dimensions



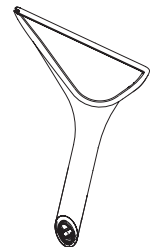
Fixed arm



Height adjustable arm



Leaf arm



Specification Information

Step 1.

FLC900

Step 2. Arms

P	fixed arms	+\$246
H	height-adjustable arms	+\$401
J	leaf arms <input type="checkbox"/> A	+\$446

Step 3. Frame Finish

G1	graphite (CP)	+\$0
CRB	carbon (CP)	+\$19
98	studio white (CP)	+\$25
DN2	nightfall	+\$50
DB3	glacier	+\$50
DR1	canyon	+\$50

Step 4. Armpad Finish

For height-adjustable arms (H) with graphite (CP) (G1), or carbon (CP) (CRB), or studio white (CP) (98)

BK	black	+\$0
CRB	carbon (CP)	+\$0
VPR	mineral	+\$0

For height-adjustable arms (H) with nightfall (DN2)

DN2	nightfall	+\$0
------------	-----------	------

For height-adjustable arms (H) with glacier (DB3)

DB3	glacier	+\$0
------------	---------	------

For height-adjustable arms (H) with canyon (DR1)

DR1	canyon	+\$0
------------	--------	------

Step 5. Intercept Suspension Material

For leaf arms (J)

Price Category 1		+\$0
------------------	--	------

Index by Product Name

Cosm® Chairs	
Cosm® Arm Kit	page(s) 17
Cosm® Work Chair	5
Cosm® Work Chair, Dipped in Color	9
Cosm® Work Chair, Dipped in Color, Ready to Assemble	11
Cosm® Work Chair, Ready to Assemble	7
Cosm® Work Stool	13
Cosm® Work Stool, Dipped in Color	15



Index by Product Number



FLC14	Cosm® Work Chair	page(s) 5
FLC15		
FLC16		
FLC24	Cosm® Work Chair, Ready to Assemble	7
FLC25		
FLC26		
FLC34	Cosm® Work Chair, Dipped in Color	9
FLC35		
FLC36		
FLC44	Cosm® Work Chair, Dipped in Color, Ready to Assemble	11
FLC45		
FLC46		
FLC74	Cosm® Work Stool	13
FLC75		
FLC84	Cosm® Work Stool, Dipped in Color	15
FLC85		
FLC90	Cosm® Arm Kit	17



20-Day or Less/Assigned Lead-Time Order Information

20-Day or Less and Assigned Lead-Time Programs

20-day or less and assigned lead-time products are designed for established Herman Miller dealers with pre-approved credit.

Products are distributed from multiple manufacturing facilities across the United States. All products and options not designated by an Assigned Lead-Time icon  will ship in 20 business days or less after being acknowledged by Herman Miller. Products and options designated by an  are on the assigned lead-time program and will ship in 20 days, less than 20 days, or more than 20 days from order acknowledgement.

Ordering Procedure

Please place orders through Order Manager. If this is not available to you, place orders through mail or fax. Verbal purchase orders will not be accepted.

Order Entry fax number for Meridian®

Filing and Storage: (616) 846 9236.

Order Entry fax number for all other products:

(616) 654 3085.

For more information, contact your Customer Care representative at: (866) 854 3048 ext 3400.

Shipments and Delivery

Per Herman Miller Terms and Conditions.

Changes and Cancellation

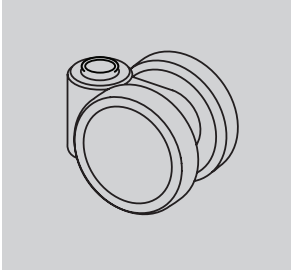
Per Herman Miller Terms and Conditions.



Casters and Glides

▲	WARNING	▲
Depending on the floor surface, chair may unexpectedly roll away from user when entering or exiting the chair, possibly leading to unexpected injury. Please refer to descriptions of floor types when selecting casters.		

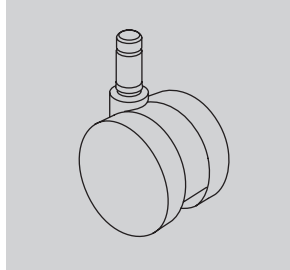
32 Caster



1 7/8-inch-diameter hard double-wheel caster; black nylon wheels and yoke; for use on carpet only

Applicable on:
Sayl® Chairs

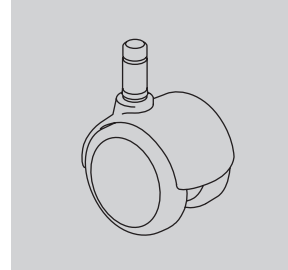
BB Caster



2 1/2-inch-diameter hard double-wheel caster; black nylon wheels and yoke; for use on carpet only

Applicable on:
Asari Chair by Herman Miller™
New Aeron® Chairs
Caper® Chairs
Embody® Chairs
Fuld Nesting Chairs
Lino™ Chairs
Sayl Chairs
Mirra® 2 Chairs, Verus™ Chairs

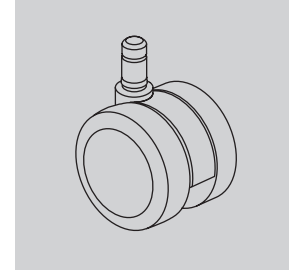
BSC Caster



2-inch-diameter double-wheel caster; black nylon wheels and hood; soft polyurethane tread; for use on hard floors or carpet

Applicable on:
Eames® Aluminum Group
Eames Executive Chairs
Eames Soft Pad Group
Eames Task Chairs

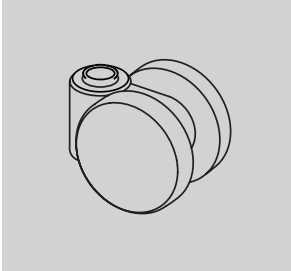
C9 Caster



2 1/2-inch-diameter double-wheel caster; black nylon wheels and yoke; soft polyurethane tread; internal brake; for use on hard floors or carpet

Applicable on:
Caper Chairs
Embody Chairs
Lino Chairs
Mirra 2 Chairs
Sayl Chairs
Setu® Chairs
Verus Chairs

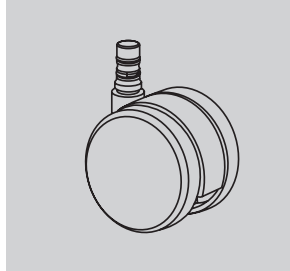
49 Caster



1 7/8-inch-diameter soft double-wheel caster; black nylon wheels and yoke; for use on hard floors or carpet

Applicable on:
Sayl Chairs

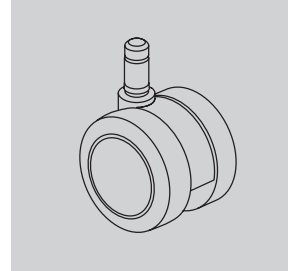
BKS Caster



2 1/2-inch-diameter hard double-wheel caster; black yoke; quiet roll technology; for use on carpet only

Applicable on:
Cosm™ Chairs

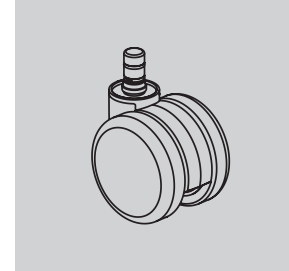
C7 Caster



2 1/2-inch-diameter double-wheel caster; black nylon wheels and yoke; soft polyurethane tread; for use on hard floors or carpet

Applicable on:
Asari Chair by Herman Miller™
New Aeron Chairs
Caper Chairs
Embody Chairs
Fuld Nesting Chairs
Lino Chairs Sayl Chairs
Mirra 2 Chairs Verus Chairs

CSQ Caster



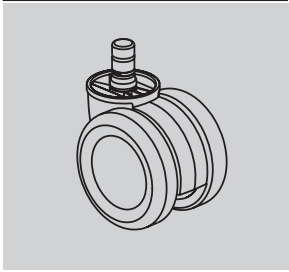
2 1/2-inch-diameter double-wheel caster; color-matched nylon wheels and yoke; soft polyurethane tread; for use on hard floors or carpet

Applicable on:
Zeph® Chairs

Casters and Glides

continued

DC1 Caster

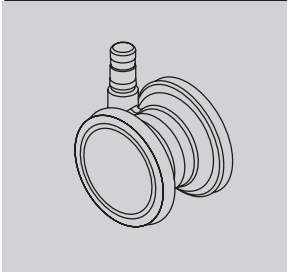


2 1/2-inch-diameter double-wheel braking caster; black nylon wheels and yoke; for use on hard floors or carpet; quiet roll technology

Applicable on:

New Aeron Chairs

H9 Caster

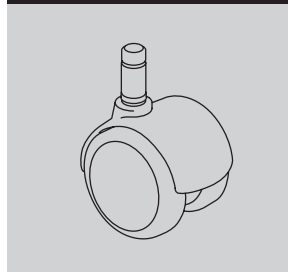


2 1/2-inch-diameter double-wheel caster; clear polycarbonate wheels; nylon yoke; soft polyurethane tread; for use on carpet only

Applicable on:

Embody Chairs

MD Caster

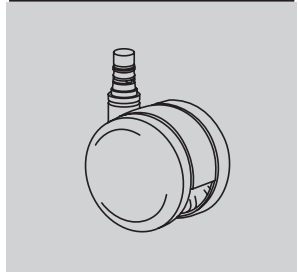


2-inch-diameter double-wheel caster; black nylon wheels with integral chrome hood; soft polyurethane tread; for use on hard floors or carpet

Applicable on:

Eames® Aluminum Group
Eames Executive Chairs
Eames Soft Pad Group
Eames Task Chairs

OC Caster

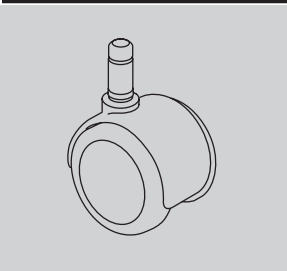


2 1/2-inch-diameter double-wheel medium roll-resistant caster; black nylon wheels and yoke; soft polyurethane tread; for use on hard floors or carpet; quiet roll technology

Applicable on:

Cosm Chairs
Fuld Nesting Chairs
Setu Chairs

DS Caster



2-inch-diameter soft double-wheel braking caster; black nylon wheels and hood; for use on hard floors only

Applicable on:

Aside® Chairs
Caper Chairs

HCC Caster

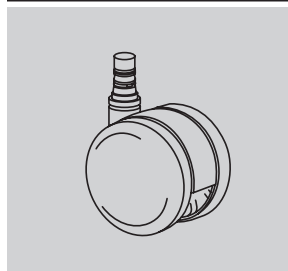


2 1/2-inch-diameter double-wheel low roll resistance caster; black nylon yoke; for use on hard floors or carpet

Applicable on:

Setu Chairs

O2 Caster

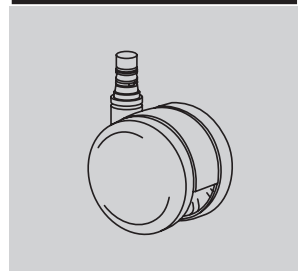


2 1/2-inch-diameter double-wheel caster; nylon wheels and yoke; soft polyurethane tread; quiet roll technology; for use on hard floors or carpet

Applicable on:

Cosm Chairs

SC8 Caster



2 1/2-inch-diameter double-wheel caster; black nylon wheels and yoke; soft polyurethane tread; quiet roll technology; for use on hard floors or carpet

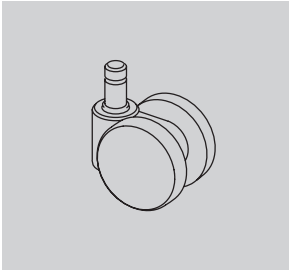
Applicable on:

Cosm Chairs
Fuld Nesting Chairs
Lino Chairs
Mirra 2 Chairs
Verus Chairs

Casters and Glides

continued

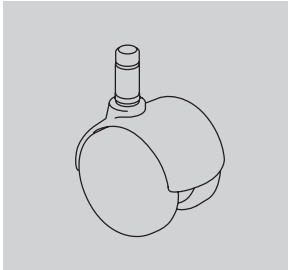
U4 Caster



1⁷/₈-inch-diameter hard double-wheel caster; black nylon wheels and yoke; for use on carpet only

Applicable on:
Aside Chairs
Verus Chairs

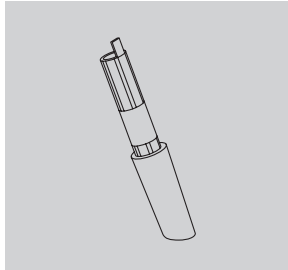
UD Caster



2-inch-diameter hard double-wheel caster; black nylon wheels with painted hood; for use on carpet only

Applicable on:
Eames® Aluminum Group
Eames Executive Chairs
Eames Soft Pad Group
Eames Task Chairs

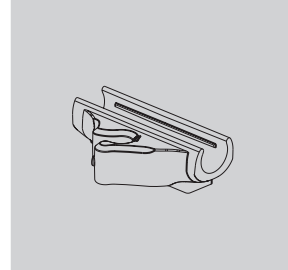
16 Glide



(Front glide shown)
2¹/₈-inch-high glide; black or fog acetal; for use on carpet only

Applicable on:
Sayl Chairs

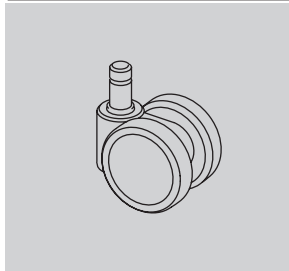
FGG Glide



1/2-inch-high ganging glide; black ABS plastic with black felt bottom; for use on resilient flooring

Applicable on:
Pronta Stacking Chairs

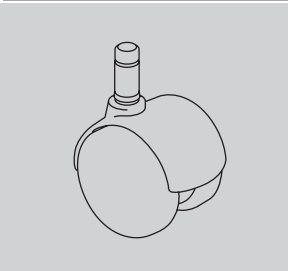
U5 Caster



1⁷/₈-inch-diameter soft double-wheel caster; black nylon wheels and yoke; for use on hard floors or carpet

Applicable on:
Aside Chairs
Caper Chairs
Verus Chairs

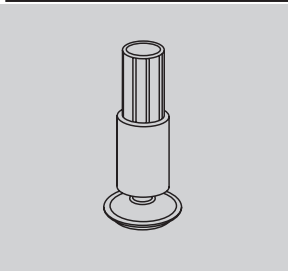
VD Caster



2-inch-diameter hard double-wheel caster; black nylon wheels with integral chrome hood; for use on carpet only

Applicable on:
Eames Aluminum Group
Eames Executive Chairs
Eames Soft Pad Group
Eames Task Chairs

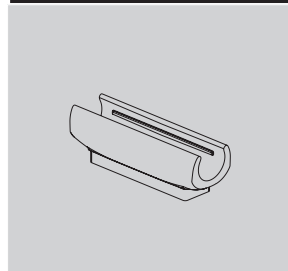
69 Glide



(Front glide shown)
2¹/₈-inch-high glide; black glass-filled nylon stem; steel-plated swivel foot with Floor Saver Glide™ insert; for use on hard floors only

Applicable on:
Sayl Chairs

FTG Glide



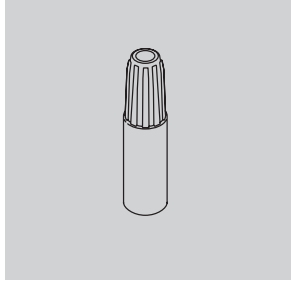
1/2-inch-high glide; black ABS plastic with black felt bottom; for use on resilient flooring

Applicable on:
Pronta Stacking Chairs

Casters and Glides

continued

G4 Glide

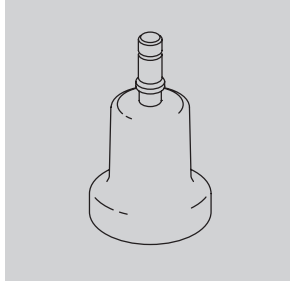


1⁷/₈-inch-high glide; black acetal; for use on carpet only

Applicable on:

Verus Chairs

GF Glide

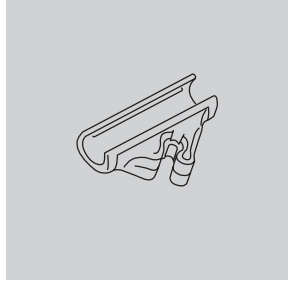


2¹/₂-inch-high glide; black nylon; for use on hard floors or carpet

Applicable on:

New Aeron Chairs
Caper Chairs
Cosm Chairs
Lino Chairs
Mirra 2 Chairs
Sayl Chairs
Verus Chairs

GG Glide

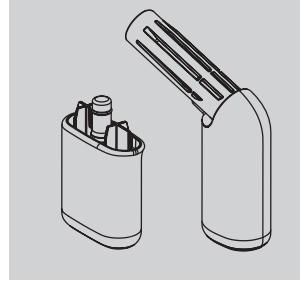


1¹/₂-inch-high ganging glide; clear polycarbonate; for use on hard floors or carpet

Applicable on:

Pronta Stacking Chairs

GLN Glide

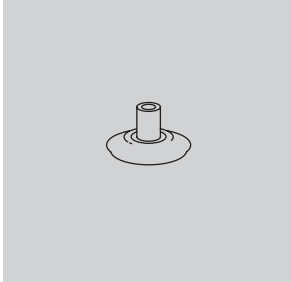


Acetal glide; for use on carpet only

Applicable on:

Fuld Nesting Chairs

GD Glide

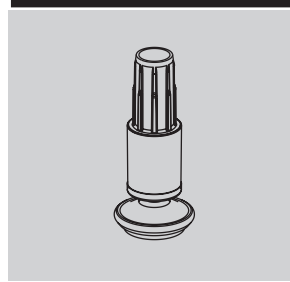


1¹/₂-inch-diameter glide; 1/2 inch in height; black nylon; for use on hard floors or carpet

Applicable on:

Eames Aluminum Group
Eames Executive Chairs
Eames Soft Pad Group
Eames Task Chairs

GFG Glide

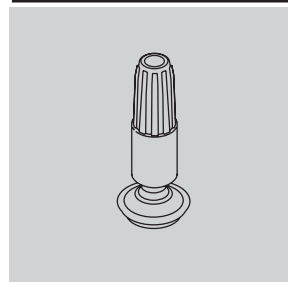


Floor Saver Glide™ insert; for use on hard floors only

Applicable on:

Zeph Chairs

GL Glide

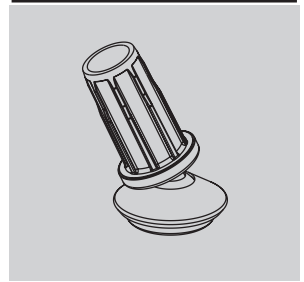


1⁷/₈-inch-high glide; black nylon stem; steel-plated swivel foot with Floor Saver Glide™ insert; for use on hard floors only

Applicable on:

Verus chairs

GNB Glide



Swivel glide; nylon base; for use on carpet only

Applicable on:

Zeph Chairs

Casters and Glides

continued

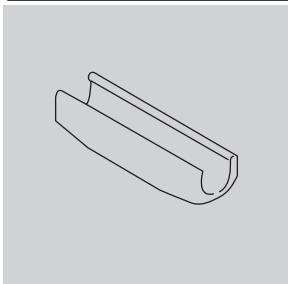
HG Glide



1/2-inch-high glide; black nylon glide with stainless-steel insert; for use on hard floors or carpet

Applicable on:
Aside Chairs

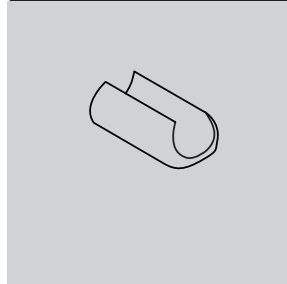
SG Glide (for Pronta)



1/2-inch-high glide; clear polycarbonate; for use on hard floors or carpet

Applicable on:
Pronta Stacking Chairs

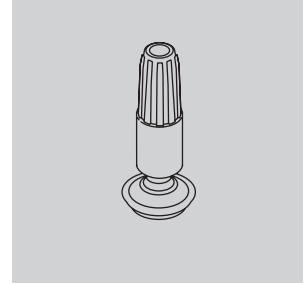
XS Glide



1/8-inch-high glide; polycarbonate in black, fog, clear, and studio white finishes; for use on hard floors or carpet

Applicable on:
Sayl Chairs

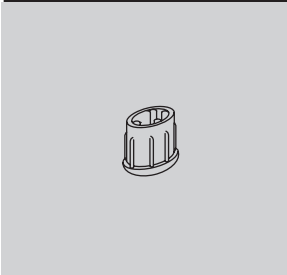
YX Glide



1 7/8-inch-high glide; black nylon stem; steel-plated swivel foot with Floor Saver Glide™ insert; for use on hard floors only

Applicable on:
Caper Chairs

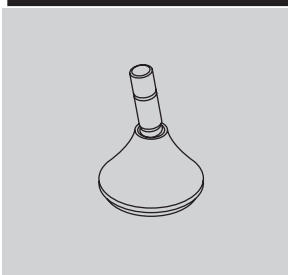
SG Glide (for Aside)



1/2-inch-high glide; black nylon; for use on carpet only

Applicable on:
Aside Chairs

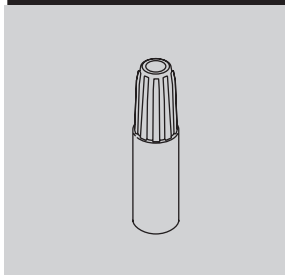
X8 Glide



Glide; low profile; for use on hard floors or carpet

Applicable on:
Setu Chairs

Y7 Glide



1 7/8-inch-high glide; black acetal; for use on carpet only

Applicable on:
Caper Chairs

For more information about our products and services or to see a list of dealers, please visit us at HermanMiller.com or call (800) 851 1196.

© 2026 Herman Miller, Inc., Zeeland, Michigan

Distribution Rights

Working together since 1956, Herman Miller and Vitra are the authentic sources of designs by Charles and Ray Eames, Alexander Girard, and George Nelson. All the designs shown in this book are protected by law. Herman Miller has obtained all rights to make and sell these designs. Also, Herman Miller holds exclusive worldwide manufacturing and distribution rights for these products with the following exceptions:

Charles and Ray Eames, George Nelson, and Alexander Girard—Worldwide distribution rights for furniture in all areas except Europe and the Middle East. For those areas, please contact Vitra.

Isamu Noguchi—Worldwide distribution rights for the Noguchi Rudder Table. Distribution rights for the Noguchi Table in North America and Central America only. For all other areas, please contact Vitra.

Magis—Exclusive distribution rights in the US and Canada. For all other areas, please contact Magis.

© **HermanMiller**, ●, 3D Intelligent, 8Z Pellicle, AO, Action Office, Aeron, Aside, Bubble Lamps, Canvas Office Landscape, Caper, Celle, Cosm, Co/Struc, Daisyone, Distil, Eames, Eco-Dematerialized, Embody, Envelop, Ethospace, Exclave, Fine-Tune, FlexFront, Flo, Formcoat, Formwork, Ground Cloth, Intent, Kinemat, Layout Studio, Lino, Live Unframed, Living Office, Maharam, Meridian, Mirra, Motia, Nelson, Pari, Pellicle, Perspectives, Plex, PostureFit, PostureFit SL, Public Office Landscape, Sayl, Setu, Striad, Tu, Ubi, Verus, Wishbone, Y-Tower and Zeph are among the registered trademarks of Herman Miller, Inc., and its owned subsidiaries.

™ About Face, AireWeave, Airia, Ambit, Asari Chair by HermanMiller, Backfit, Bubbletack, Burdick Group, Butterfly Back, Canvas Vista, Cellular Suspension, Commend, Compass, Connect, DOT, Duracare, Durawrap, EnhancedAccess, Everywhere, Flex-Edge, Flute, Harmonic, Headway, Herman Miller Select, Hopsak 2, Iota, Keyless Entry, Latitude, Logic Mini, Logic Power Access Solutions, Lyris, Lyris 2, Made-to-Measure Storage, Mora, Multiscrim, Nevi, OE1, OE1 Workspace Collection, Overlay, Pixelated Support, Pronta, Renew, Sense, Soft Pad, Stackable, Stackable Storage, Swoop, Thrive, Tone, TriFlex, Twist and Wireframe are among the trademarks of Herman Miller, Inc., and its owned subsidiaries.

SM Herman Miller Options is among the service marks of Herman Miller, Inc.

AAP™ is a trademark of Extron Electronics.

Alexander Girard® is a registered trademark of The Alexander Girard Estate.

Chemsurf® is a registered trademark of Wilsonart International.

Corian® is a registered trademark of E. I. du Pont de Nemours and Company Corporation.

Crypton® is a registered trademark of Crypton, Inc.

DACRON® is a registered trademark of INVISTA S.a r.l.

Danzer® is a registered trademark of Danzer Holding AG.

Decora® is a registered trademark of Leviton Manufacturing Co., Inc.

Edelman® Leather is a registered trademark of Edelman Leather, Inc.

Extron® is a registered trademark of RGB Systems, Inc.

FENIX NTM® is a registered trademark of Arpa Industriale S.p.A.

FLEXNET™ is a trademark of Milliken & Company.

Floor Saver Glide® is a registered trademark of Carpin Manufacturing, Inc.

Forest Stewardship Council® is a registered trademark of the Forest Stewardship Council A.C. (FSC). We are FSC® certified (FSC® C102895).

FSC® is a registered trademark of the Forest Stewardship Council A.C. (FSC).

Geiger® is a registered trademark, and Bumper™, Saiba™, and Ward Bennett™ are trademarks, of Geiger International.

Hang-It-All® is a registered trademark of Lucia Eames Demetrios, d.b.a. Eames Office.

Holophane® is a registered trademark of Holophane.

Ingeo™ is a trademark of Cargill Dow LLC.

iPad® and Mac mini® are registered trademarks of Apple Inc.

Leviton® is a registered trademark of Leviton Manufacturing Co., Inc.

LifeSize® is a registered trademark of LifeSize Communications, Inc.

Lisocore® is a registered trademark of Pyrus Panels GmbH.

Logitech G® is a registered trademark of Logitech International S.A.

Magis®, Bombo®, and Me Too® are registered trademarks of Magis S.p.A.

MicrobeCare™ is a trademark of Parasol Medical LLC.

Microsoft® and Natural® Keyboard are registered trademarks of Microsoft Corporation.

Noguchi® and the Noguchi table configuration (trade dress) are registered trademarks, and Rudder Table™ is a trademark, of The Isamu Noguchi Foundation and Garden Museum.

Place Textiles® is a registered trademark of Place Textiles.

Sunbrella® is a registered trademark of Glen Raven, Inc.

SuperSeat™ is a trademark of Dahti Seating, a division of ITW.