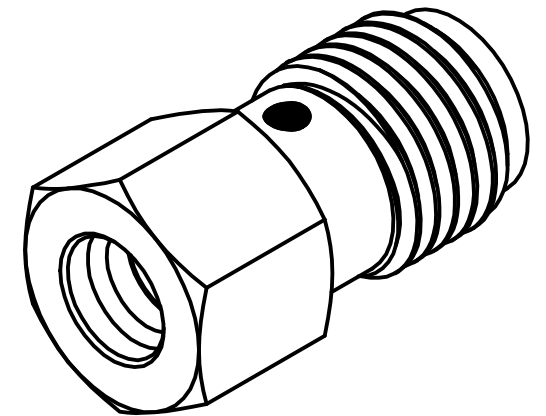
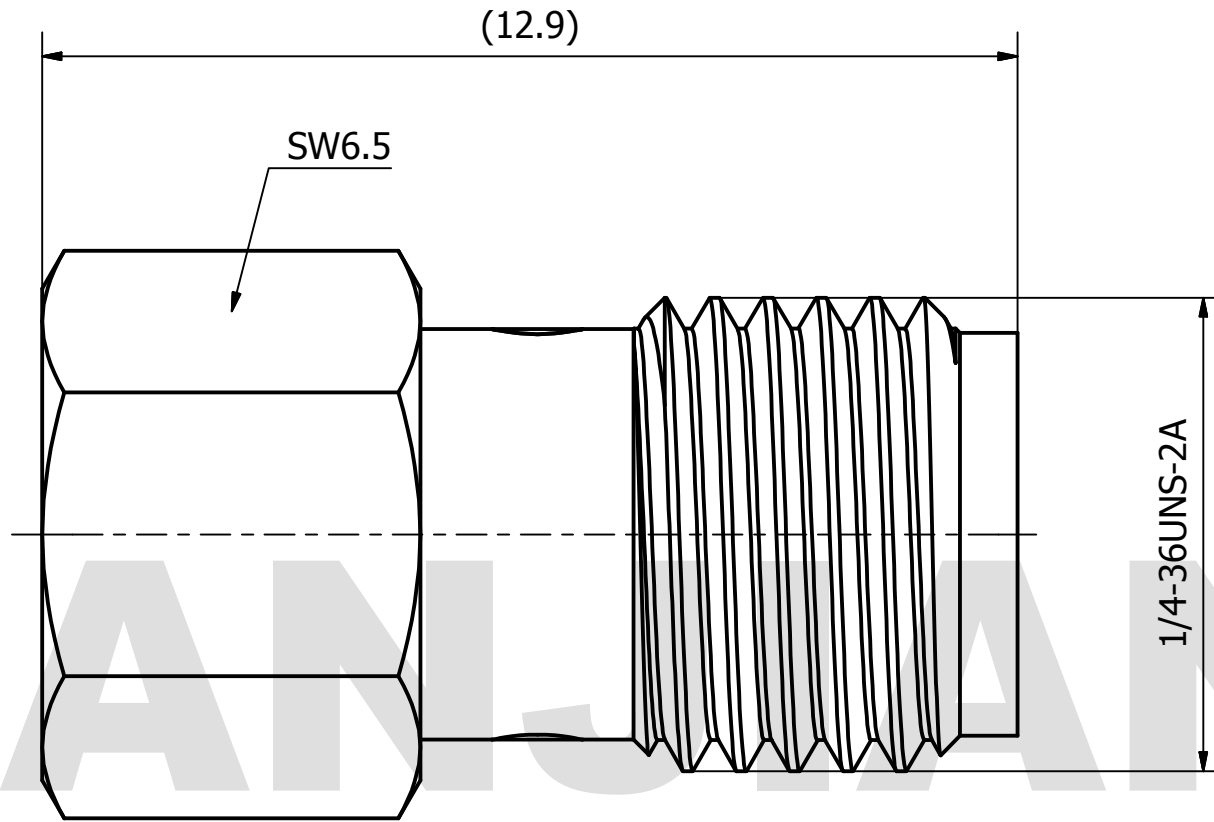


PRODUCT DATA SHEET



MATERIAL:
 BODY: BRASS PER ASTM B16,
 ALLOY NO.UNS C36000
 CONTACT: BERYLLIUM COPPER PER ASTM B196,
 ALLOY NO. UNS C17300
 INSULATOR: PTFE PER ASTM D1710

PERFORMANCE:
 IMPEDANCE: 50 OHMS
 FREQUENCY: DC TO 26.5 GHz
 VSWR: ≤ 1.30

THIS DOCUMENT CONTAINS CONFIDENTIAL AND PROPRIETARY INFORMATION THAT CANNOT BE REPRODUCED OR DIVULGED, IN WHOLE OR IN PART, WITHOUT WRITTEN AUTHORIZATION FROM "LANJIAN ELECTRONICS"	MATERIAL :			 38 Hengtong Road, Xinqu Dingmao Zhenjiang, 212009, Jiangsu, P. R. China
	UNLESS OTHERWISE SPECIFIED: DIMENSIONS IN MM			
	TOLERANCES :			
	X.X	± 0.20	ANGULAR : $\pm 1^\circ$	DEBURR AND BREAK SHARP EDGES
	X.XX	± 0.10	FILLETS R/C : ± 0.10	
	X.XXX	± 0.01	SURFACE FINISH : Ra 1.6	
	NAME	DATE	SIGNATURE	
DRAWN	YaoJiang	10/08/2018		
CHK'D	HongZhongYan	10/08/2018		
APPV'D	HongZhongYan	10/08/2018		
MFG				
PROJECTION		SIZE	SCALE	
		A3	10 : 1	
DO NOT SCALE THE DRAWING			REV. A	
DO NOT SCALE THE DRAWING			PAGE 1 / 1	

LANJIAN ELECTRONICS

38 Hengtong Road, Xinqu Dingmao
Zhenjiang, 212009, Jiangsu, P. R. China

TITLE
**SMP/SMA-JK(Limited Detent)
straight adaptor**

DWG No. GCPZ3.640.G.011

DO NOT SCALE THE DRAWING