

WeatherShade J-Channel Sill Detail

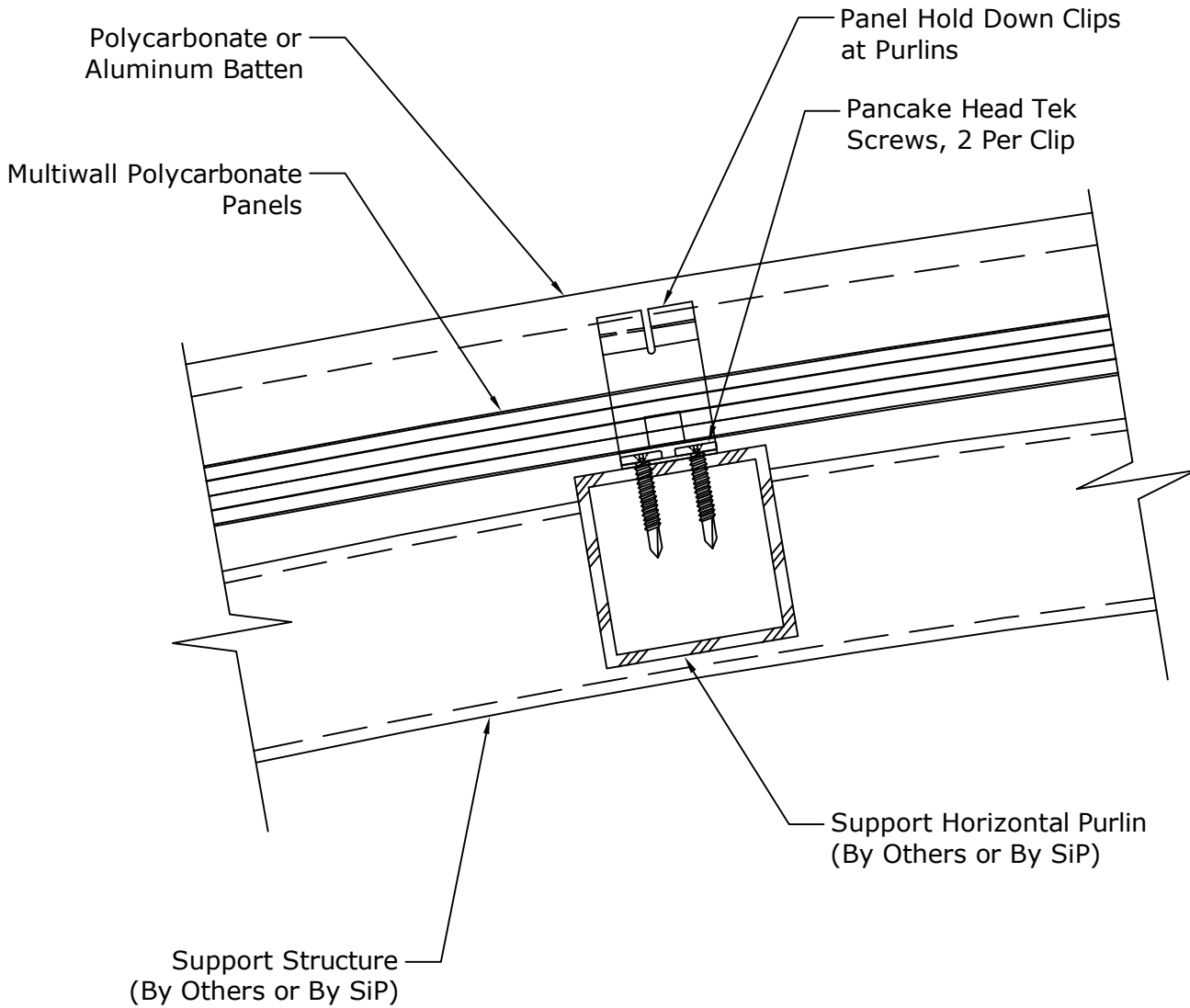
Solutions in Polycarbonate

6553 Norwalk Road, Medina, Ohio 44256
Phone 330-572-2860, Fax 330-572-2861

**WeatherShade
J-Channel Sill Detail**

WS-1

Scale: N.T.S



WeatherShade Purlin Clip Detail

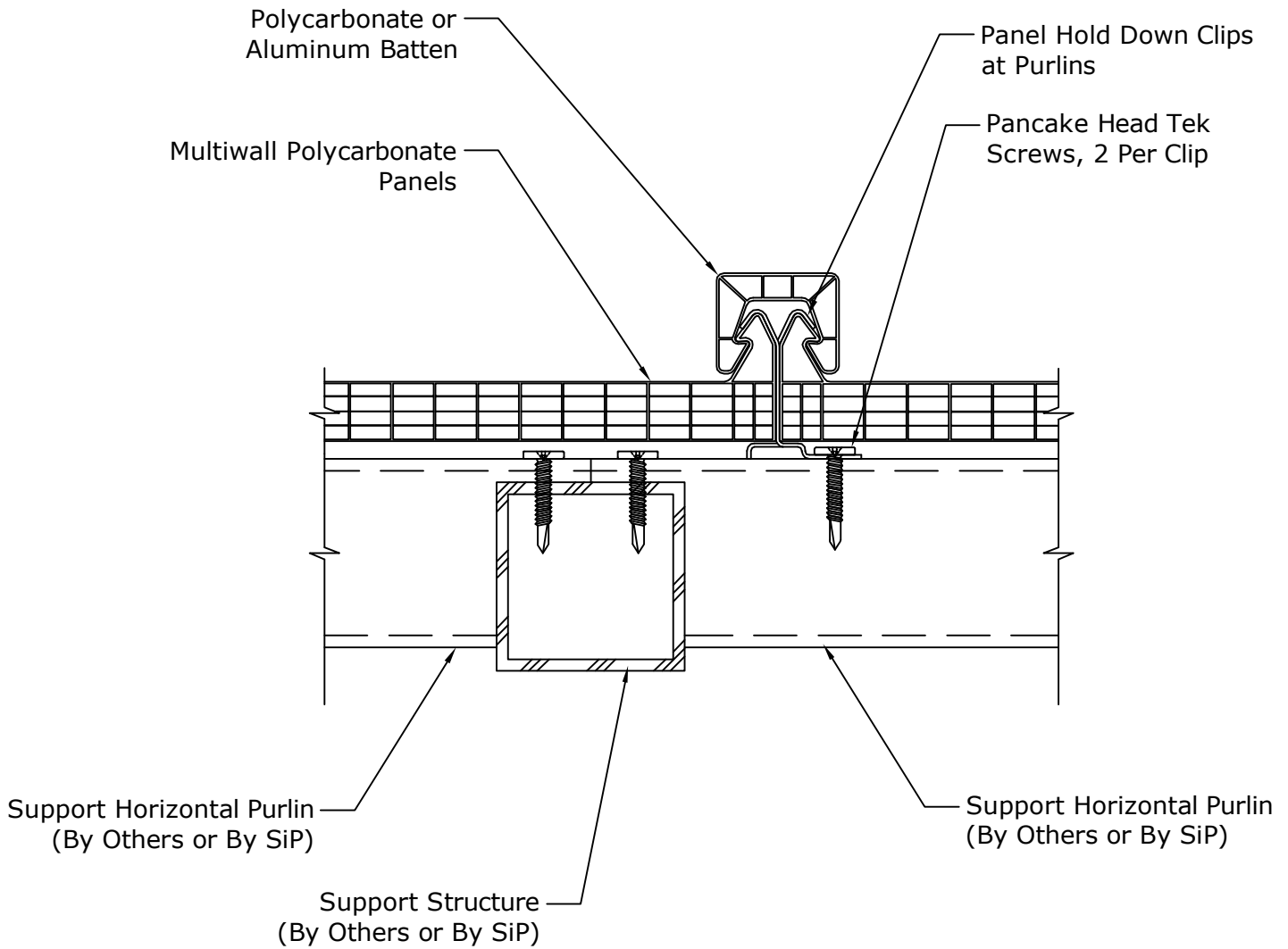
Solutions in Polycarbonate

6553 Norwalk Road, Medina, Ohio 44256
 Phone 330-572-2860, Fax 330-572-2861

**WeatherShade
 Purlin Clip Detail**

WS-2

Scale: N.T.S



WeatherShade Purlin Clip Detail

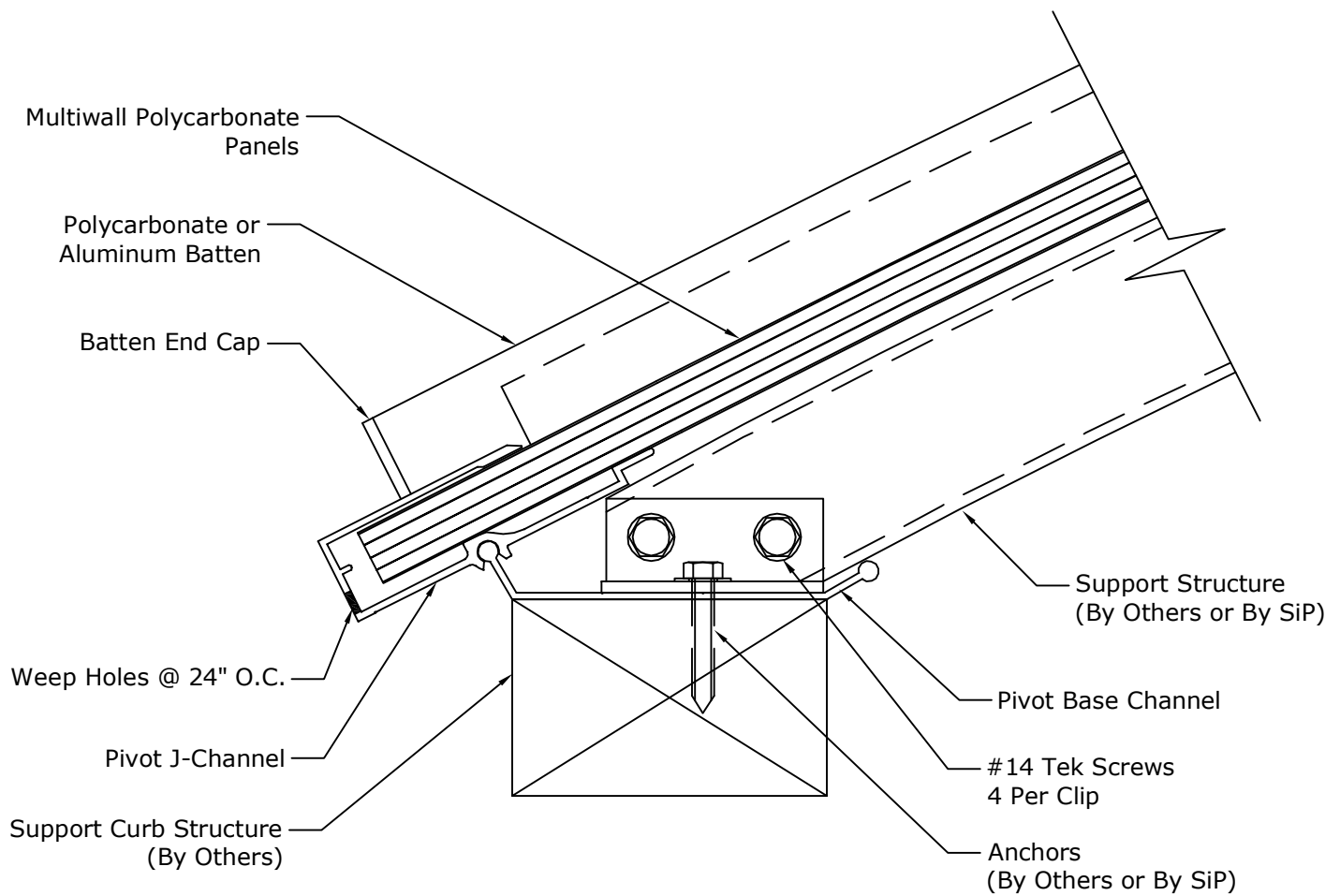
Solutions in Polycarbonate

6553 Norwalk Road, Medina, Ohio 44256
 Phone 330-572-2860, Fax 330-572-2861

**WeatherShade
 Purlin Clip Detail**

WS-3

Scale: N.T.S



WeatherShade Pivot J-Channel Sill Detail

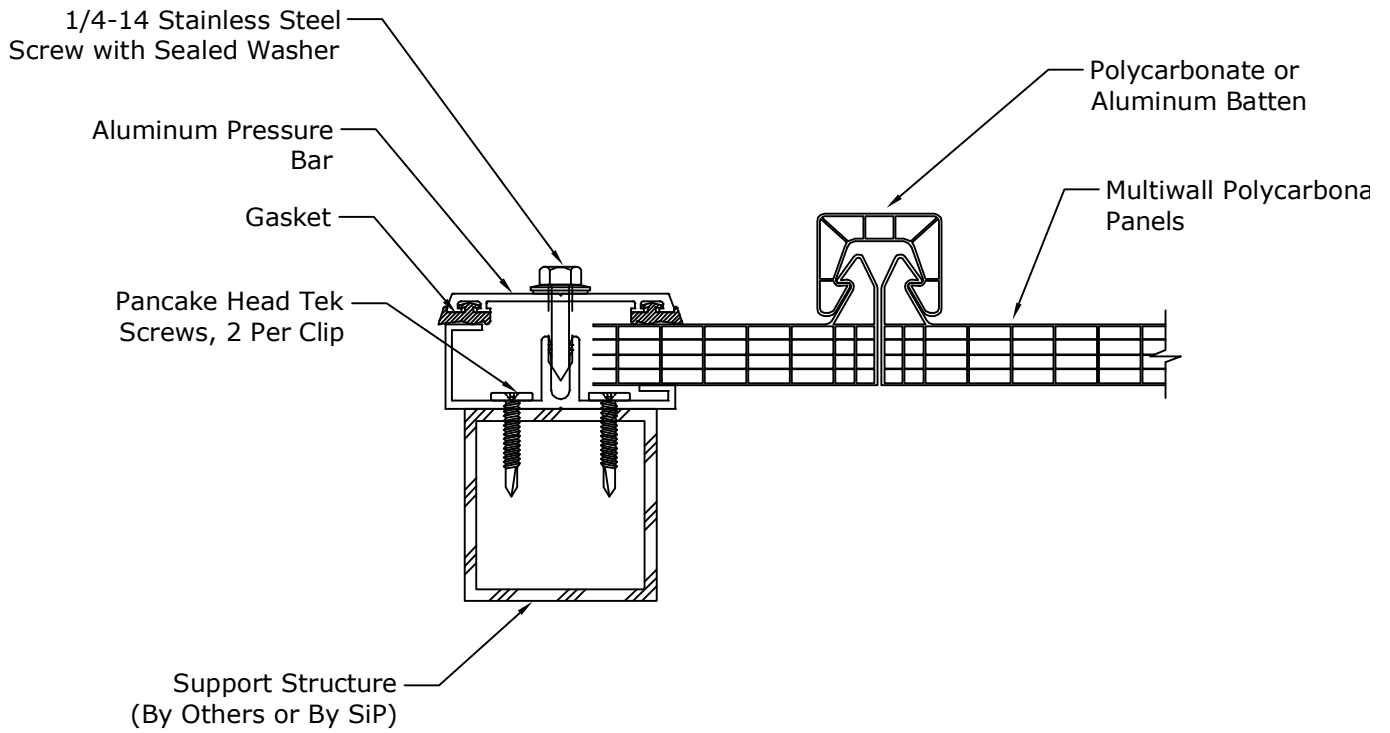
Solutions in Polycarbonate

6553 Norwalk Road, Medina, Ohio 44256
 Phone 330-572-2860, Fax 330-572-2861

**WeatherShade
 Pivot J-Channel Sill Detail**

WS-4

Scale: N.T.S



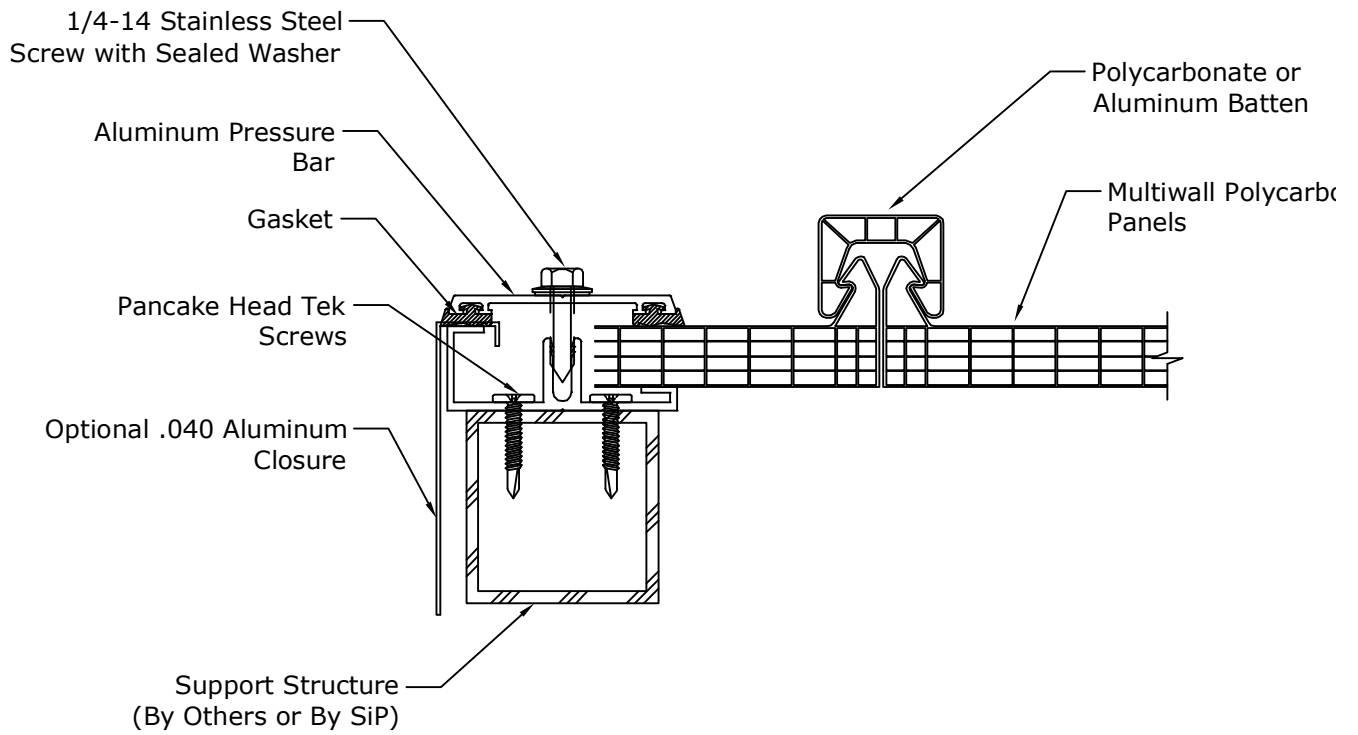
WeatherShade End Rafter Detail

Solutions in Polycarbonate

6553 Norwalk Road, Medina, Ohio 44256
 Phone 330-572-2860, Fax 330-572-2861

**WeatherShade
 End Rafter Detail
 (Optional)**

WS-5
 Scale: N.T.S



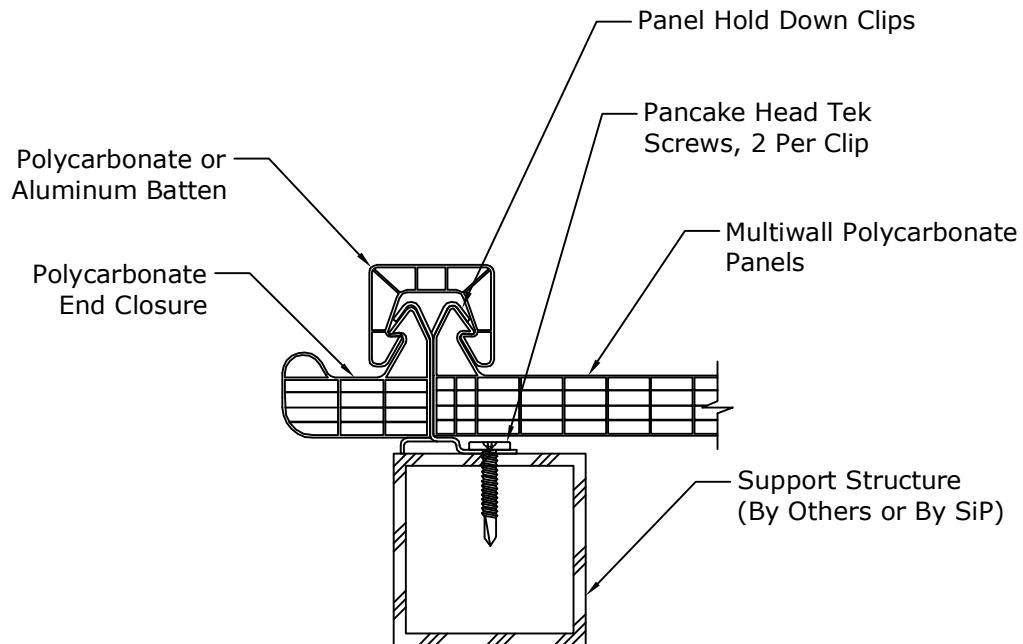
WeatherShade (OPTIONAL) End Rafter Detail

Solutions in Polycarbonate

6553 Norwalk Road, Medina, Ohio 44256
 Phone 330-572-2860, Fax 330-572-2861

WeatherShade
 End Rafter Detail
 (Optional)

WS-6
 Scale: N.T.S



WeatherShade (OPTIONAL) End Closure Detail

Solutions in Polycarbonate

6553 Norwalk Road, Medina, Ohio 44256
 Phone 330-572-2860, Fax 330-572-2861

WeatherShade
 End Closure Detail
 (Optional)

WS-7
 Scale: N.T.S