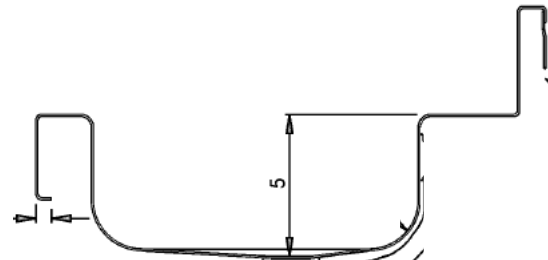
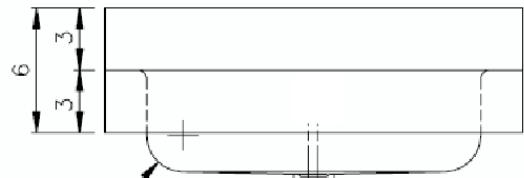
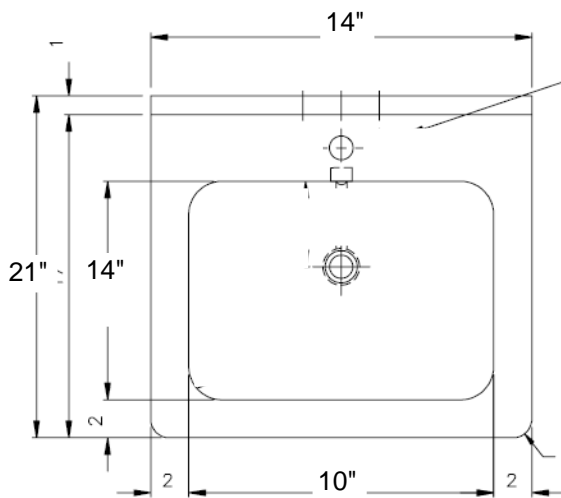
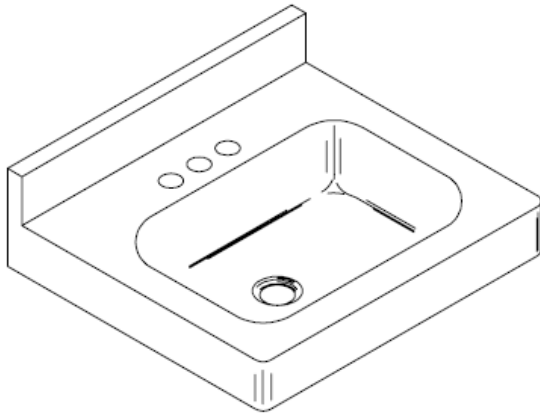


# WICKETTS STAINLESS SPECIFICATION

W-1421-ADA  
LAVATORY



| Model Number | A  | B  |
|--------------|----|----|
| W-2018-1-ADA | 14 | 21 |

**Engineering Specification:** 16 gauge, type 304 stainless steel single wash sink. Exposed surfaces polished to a satin finish. Supported on (2) wall brackets and clips.

## Wicketts Stainless, LLC

2618 San Miguel Dr. Bldg.#376  
Newport Beach, CA 92660  
Tel. 951-858-2548  
Fax. 951-638-9059  
www.wickettsstainless.com  
sales@wickettsstainless.com



**WARNING:**  
This product can expose you to chemicals, which are known to the State of California to cause cancer. For more information, visit [www.P65Warnings.ca.gov](http://www.P65Warnings.ca.gov).

Approved for Manufacturing  
Company: \_\_\_\_\_  
Signature: \_\_\_\_\_  
Print: \_\_\_\_\_ Date: \_\_\_\_/\_\_\_\_/\_\_\_\_