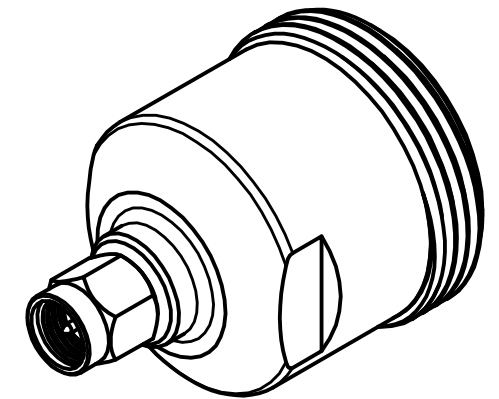
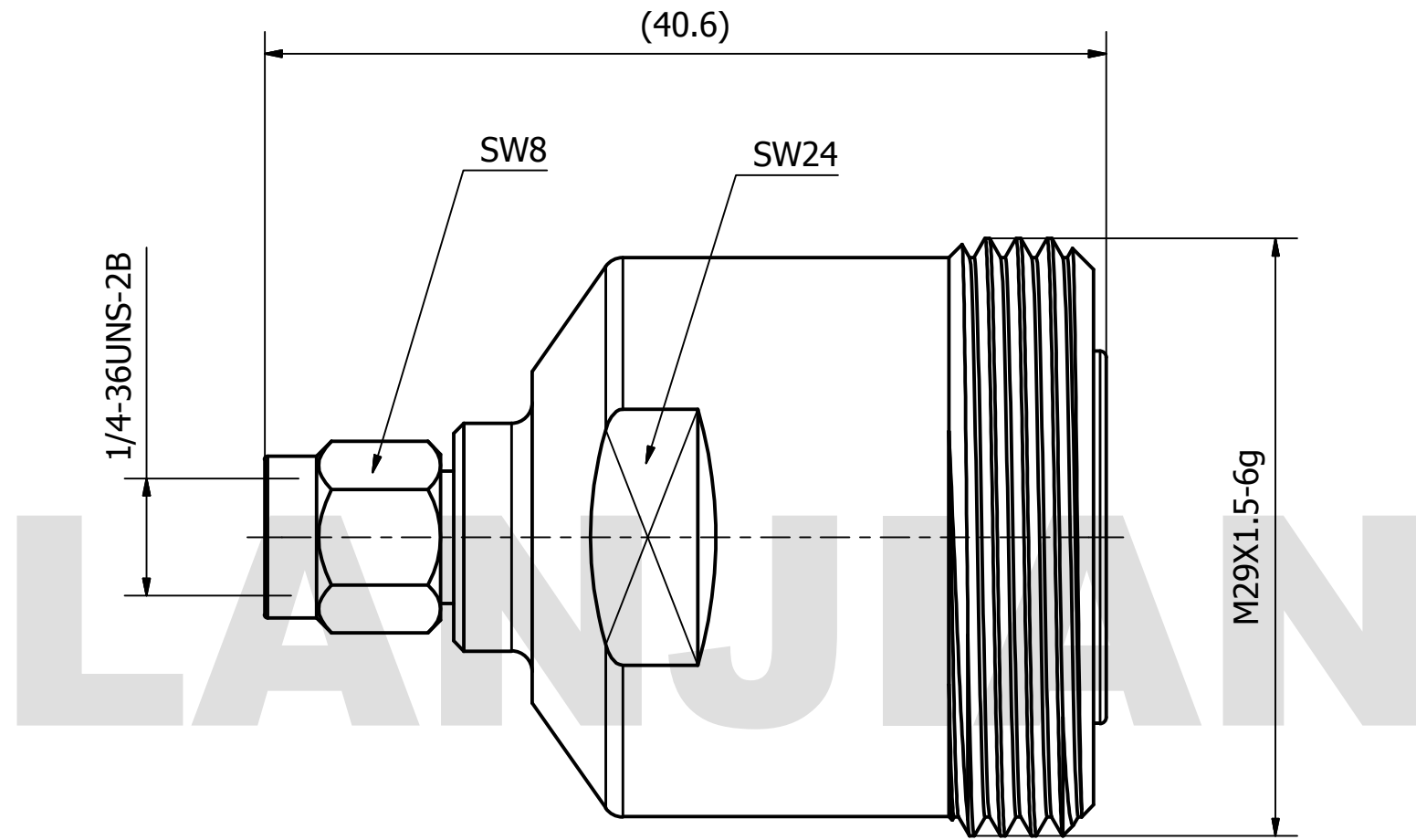


# PRODUCT DATA SHEET



**MATERIAL:**  
 BODY: BRASS  
 CONTACT: BERYLLIUM COPPER PER ASTM B196.  
 INSULATOR: PTFE PER ASTM D1710

**PERFORMANCE:**  
 IMPEDANCE: 50 OHMS  
 FREQUENCY: DC TO 6 GHz  
 VSWR: ≤ 1.20

THIS DOCUMENT CONTAINS CONFIDENTIAL AND PROPRIETARY INFORMATION THAT CANNOT BE REPRODUCED OR DIVULGED, IN WHOLE OR IN PART, WITHOUT WRITTEN AUTHORIZATION FROM "LANJIAN ELECTRONICS"	MATERIAL :			 38 Hengtong Road, Xinqu Dingmao Zhenjiang, 212009, Jiangsu, P. R. China
	UNLESS OTHERWISE SPECIFIED: DIMENSIONS IN MM			
	TOLERANCES :			
	X.X	± 0.20	ANGULAR : ± 1°	DEBURR AND BREAK SHARP EDGES
	X.XX	± 0.10	FILLETS R/C : ± 0.10	
	X.XXX	± 0.01	SURFACE FINISH : Ra 1.6	
	NAME	DATE	SIGNATURE	
DRAWN	YaoJiang	12/27/2018		
CHK'D	HongZhongYan	12/27/2018		
APPV'D	HongZhongYan	12/27/2018		
MFG				
PROJECTION		SIZE	SCALE	DWG No. GCPZ3.640.A.035 DO NOT SCALE THE DRAWING
		A3	3 : 1	
			REV.	A
			PAGE	1 / 1

SMA/7/16-JK straight adaptor