

# DONDOLINO

By Ormesa



201 Growth Parkway Angola, IN 46703

U.S Suggested Retail Price List  
Jan-18

Phone: 260-665-2769

Fax: 260-665-3047

Email: [iim@mobility-usa.com](mailto:iim@mobility-usa.com)

[www.mobility-usa.com](http://www.mobility-usa.com)

Quote: \_\_\_\_\_

P.O. \_\_\_\_\_

### Bill To

Dealer: \_\_\_\_\_ Contact: \_\_\_\_\_

Address: \_\_\_\_\_

City: \_\_\_\_\_ State: \_\_\_\_\_ Zip: \_\_\_\_\_

Phone: \_\_\_\_\_ Fax: \_\_\_\_\_

Email: \_\_\_\_\_ Mark For: \_\_\_\_\_

### Ship To Same as Bill To \_\_\_\_\_

Dealer: \_\_\_\_\_ Contact: \_\_\_\_\_

Address: \_\_\_\_\_

City: \_\_\_\_\_ State: \_\_\_\_\_ Zip: \_\_\_\_\_

Phone: \_\_\_\_\_ Fax: \_\_\_\_\_

Email: \_\_\_\_\_ Mark For: \_\_\_\_\_

### Dondolino Features and Specifications

- **Blue & Yellow Frame** - varnished with non-toxic epoxy-powder paint, chromium-plated and adjustable parts, adjustable in tilt
- **Removable Table** - made of multilayer wood, adjustable in height, depth, and tilt
- **Red Knee-pads** - adjustable in depth, width, height, and rotation
- **Heel-rests** - adjustable in depth and width
- **Wooden Base** - adjustable in height
- **Red Pelvic & Chest Support** - adjustable in height, depth, and circumference with velcro straps
- **Solid Wheels** - 3" with brakes, can be moved from one room to another with the user already in place

### Dondolino

Part Number	Description	Price	HCPCS
____ DON-1	<b>Dondolino Mini</b>	\$2,300.00	E0638
____ DON-2	<b>Dondolino Small</b>	\$2,400.00	E0638
____ DON-3	<b>Dondolino Medium</b>	\$2,600.00	E0638



### Accessories

Part Number	Description	Price	HCPCS
____ 865-1	<b>Headrest Mn</b>	\$650.00	K0108
____ 865-2	<b>Headrest Sm</b>	\$650.00	K0108
____ 865-3	<b>Headrest Md</b>	\$650.00	K0108
____ 944-1	<b>Circumference Reduction Mn</b> 1"thick each	\$150.00	K0108
____ 944-2	<b>Circumference Reduction Sm &amp; Md</b> 1"thick each	\$150.00	K0108



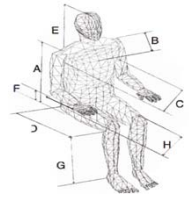
Client:

PO:

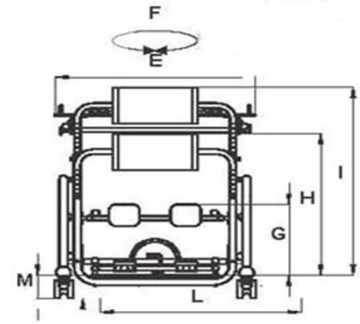
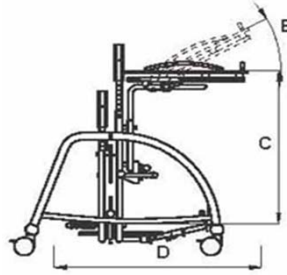
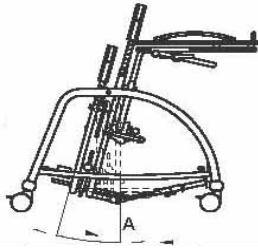
Dondolino

**Client Measurements**

A Back height \_\_\_\_\_ F Lower leg length \_\_\_\_\_  
 B Chest depth \_\_\_\_\_ G Head height \_\_\_\_\_  
 C Chest width \_\_\_\_\_ H Arm height \_\_\_\_\_  
 D Seat depth \_\_\_\_\_ Age: \_\_\_\_\_  
 E Seat width \_\_\_\_\_ Weight: \_\_\_\_\_



**Dimensions**



**Measurements in Inches**

<b>Dondolino</b>	<b>Mini</b>	<b>Small</b>	<b>Medium</b>
<b>Max Capacity</b>	77 lbs	99 lbs	121 lbs
<b>User Height</b>	29.5 - 39	37.5 - 49	47 - 59
<b>Unit Weight</b>	42 lbs	53 lbs	57 lbs
<b>A</b>	0° - 19°	0° - 14°	0° - 11°
<b>B</b>	0° - 25°	0° - 25°	0° - 25°
<b>C</b>	18 - 29	21 - 34	24 - 40
<b>D</b>	30 - 34	32.5 - 38	35.5 - 39.5
<b>E</b>	25	25	25
<b>F</b>	23.5	25.5	27.5
<b>G</b>	5 - 10	5 - 14.5	5 - 19
<b>H</b>	16 - 22.5	19.5 - 27.5	23 - 28
<b>I</b>	23.5 - 29	23.5 - 31.5	29 - 43
<b>L</b>	25	26.5	28
<b>M</b>	4 - 6	4 - 6	4 - 6

Note: All specification and prices are subject to change without notice. Prices listed are only valid if ordering with a stander. The HCPCS codes provided are not intended to be billing or legal advice, rather Innovation In Motion's interpretation of the code definitions. Use of the codes provided does not ensure coverage or payment for the item. For coverage information, verify the policy of the appropriate payer. It is recommended to contact Innovation In Motion with any questions regarding proper ordering of the chair at 1-260-665-2769.