

Specifications

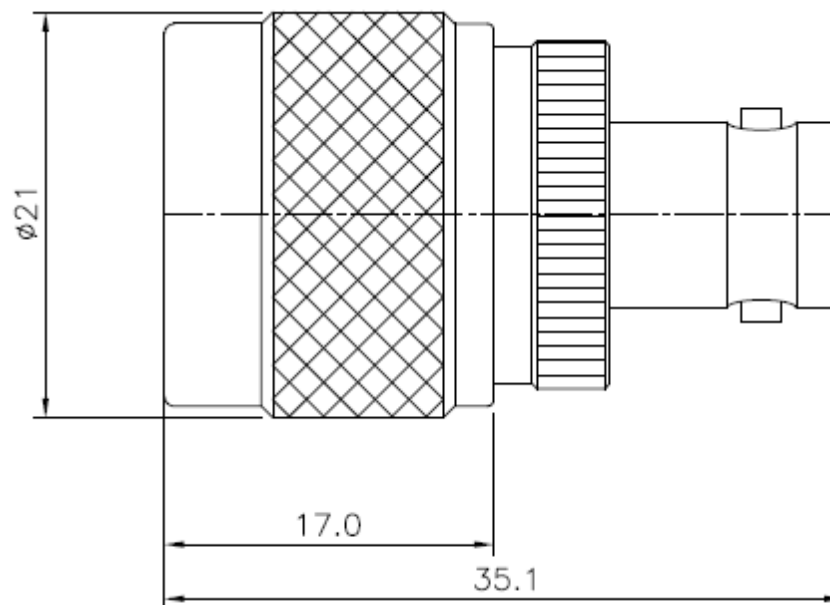
Frequency range: DC-4 GHz

Nominal Impedance: 50 Ohm

VSWR: 1 .20:1 max. @ 4 GHz

Oper. Temperature range ; -65C- +125C

RoHS Compliant



<u>Adapter Part</u>	<u>Material</u>	<u>Plating</u>
Coupling Cap	Brass	Nickel
Body	Brass	Nickel
Center contact	Beryllium Copper	Gold
Insulator	PTFE	N/A



Premier RF
17 Roslyn CT
Patchogue, NY 11772
PH: 631-447-3804
sales@premier rf.com
www.premier rf.com

Dimensions in mm	PART NUMBER	PRF-AD2M3F
03/10/2012	DESCRIPTION	N MALE TO BNC FEMALE ADAPTER, DC-4 GHz
APPROVED		
C. Smith		