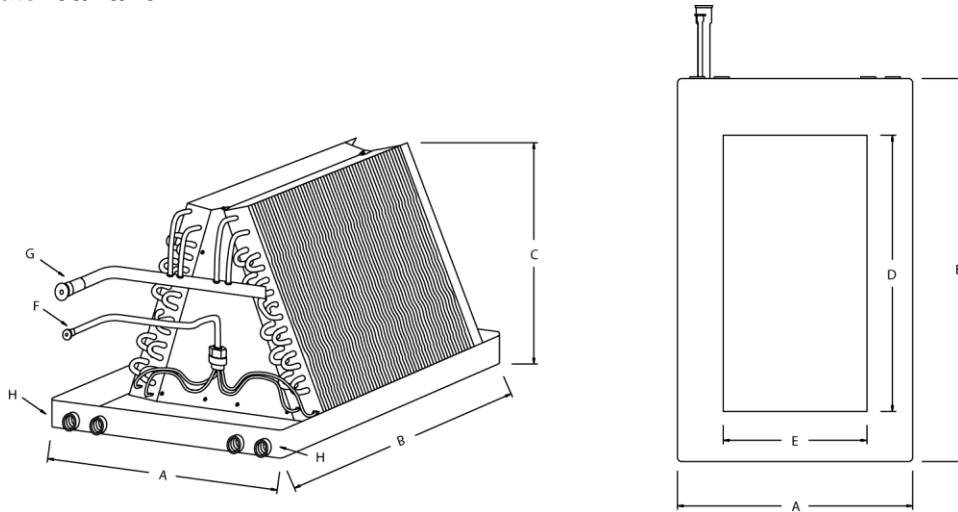


Sustainable Coils LLC

Replacement Coil Solutions!

STOCK REPLACEMENT A-COIL

Revision Date: 03/10/2021



COIL MODEL	COIL WEIGHT	A	B	C	D	E	F	G	H
1024A13	18	13	19 1/2	10 1/2	15 1/2	5 1/2	3/8	3/4	3/4
1024A16	20	16	19 1/2	10 1/2	15 1/2	8 1/2	3/8	3/4	3/4
1036A13	23	13	19 1/2	14 1/2	15 1/2	5 1/2	3/8	3/4	3/4
1036A16	26	16	19 1/2	14 1/2	15 1/2	8 1/2	3/8	3/4	3/4
1036A20	28	20	19 1/2	14 1/2	15 1/2	12 1/2	3/8	3/4	3/4
1048A16	30	16	19 1/2	18 1/2	15 1/2	8 1/2	3/8	7/8	3/4
1048A20	32	20	19 1/2	18 1/2	15 1/2	12 1/2	3/8	7/8	3/4
1048A23	34	23	19 1/2	18 1/2	15 1/2	15 1/2	3/8	7/8	3/4
1060A20	38	20	19 1/2	22 1/2	15 1/2	12 1/2	3/8	7/8	3/4
1060A23	40	23	19 1/2	22 1/2	15 1/2	15 1/2	3/8	7/8	3/4

Low profile 3 row replacement coils

UNIGUARD® by Virtus Precision Tube, 3/8" O.D. CU-422 copper alloy tubing

2,490 PSI burst pressure minimum

Aluminum end plates to protect against rust corrosion

Aluminum fins spaced at 14 FPI for proper air flow in replacement applications

Plastic drain pans in popular widths; nylon resin is UL 94, 5VFR rated and U.V. safe

Piston metered for R-410A application, additional R-22 piston available upon request

R-22 and R-410A expansion valve kits (loose or installed) available upon request

Pre-swaged refrigerant connections, shipped with dry nitrogen holding charge

Internal Refrigerant Volumes: 1024A=91.84, 1036A=128.57, 1048A=165.30, 1060A=202.04

Five year replacement warranty

Visit our website www.SustainableCoils.com for further information regarding our complete product line.