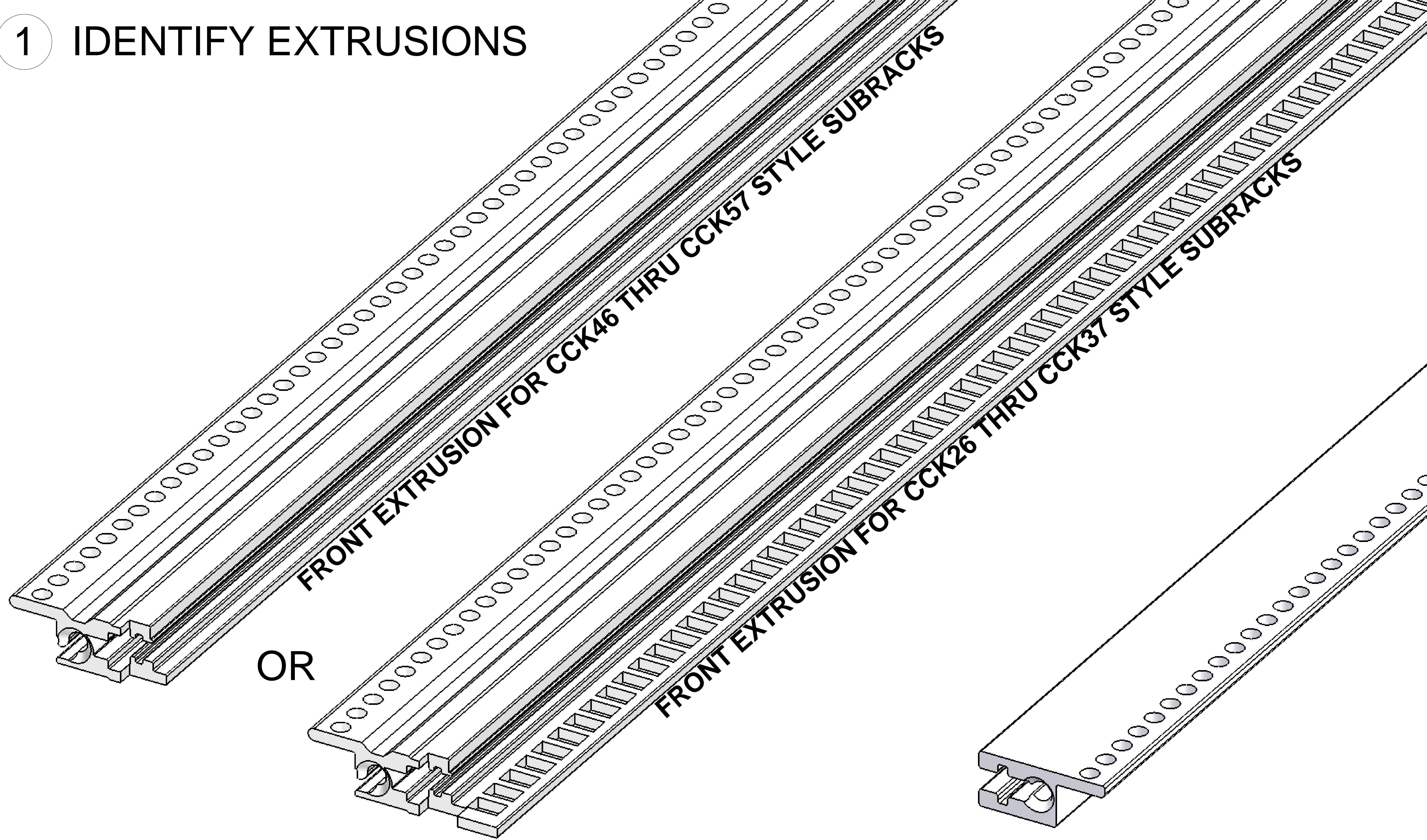


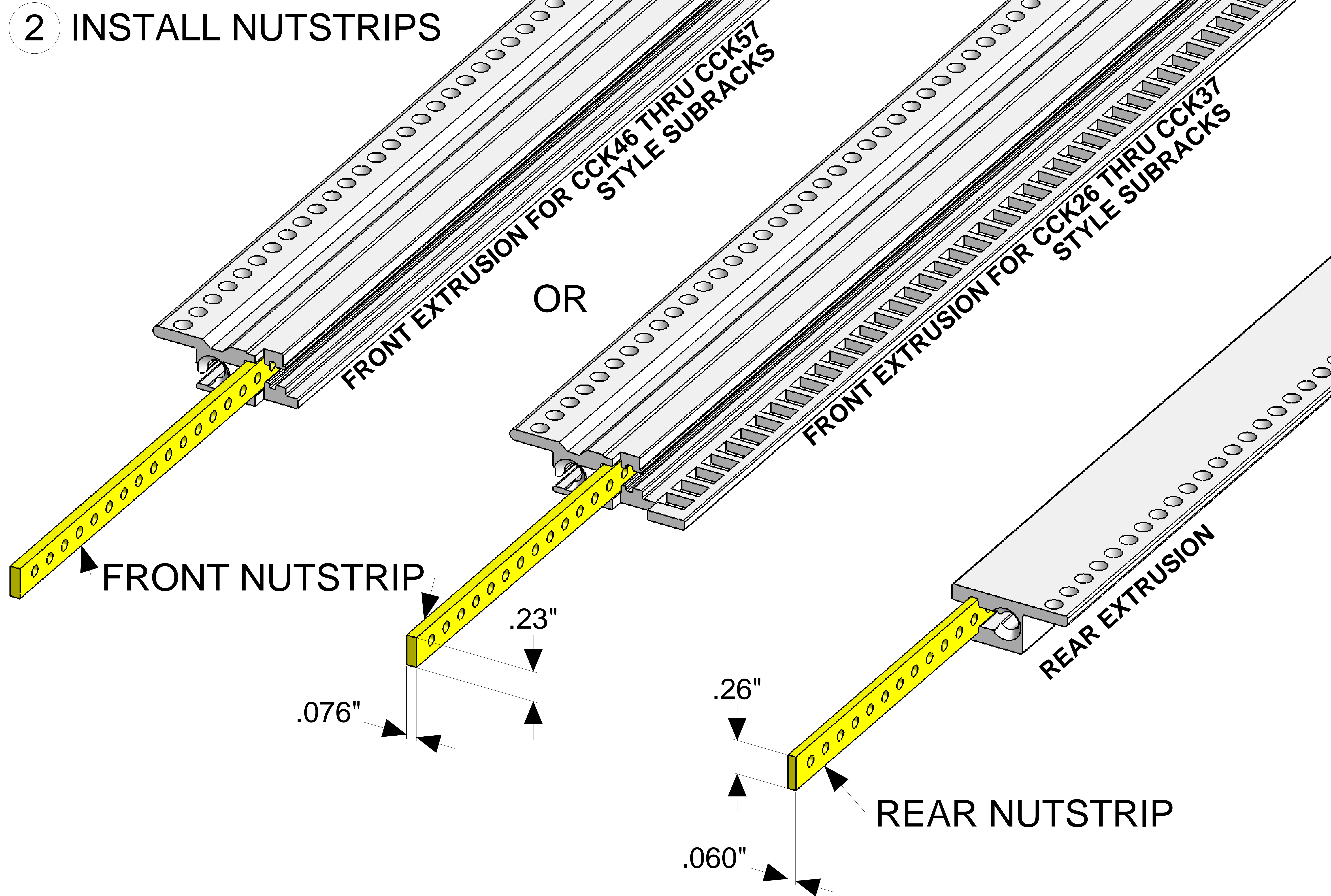
1 IDENTIFY EXTRUSIONS

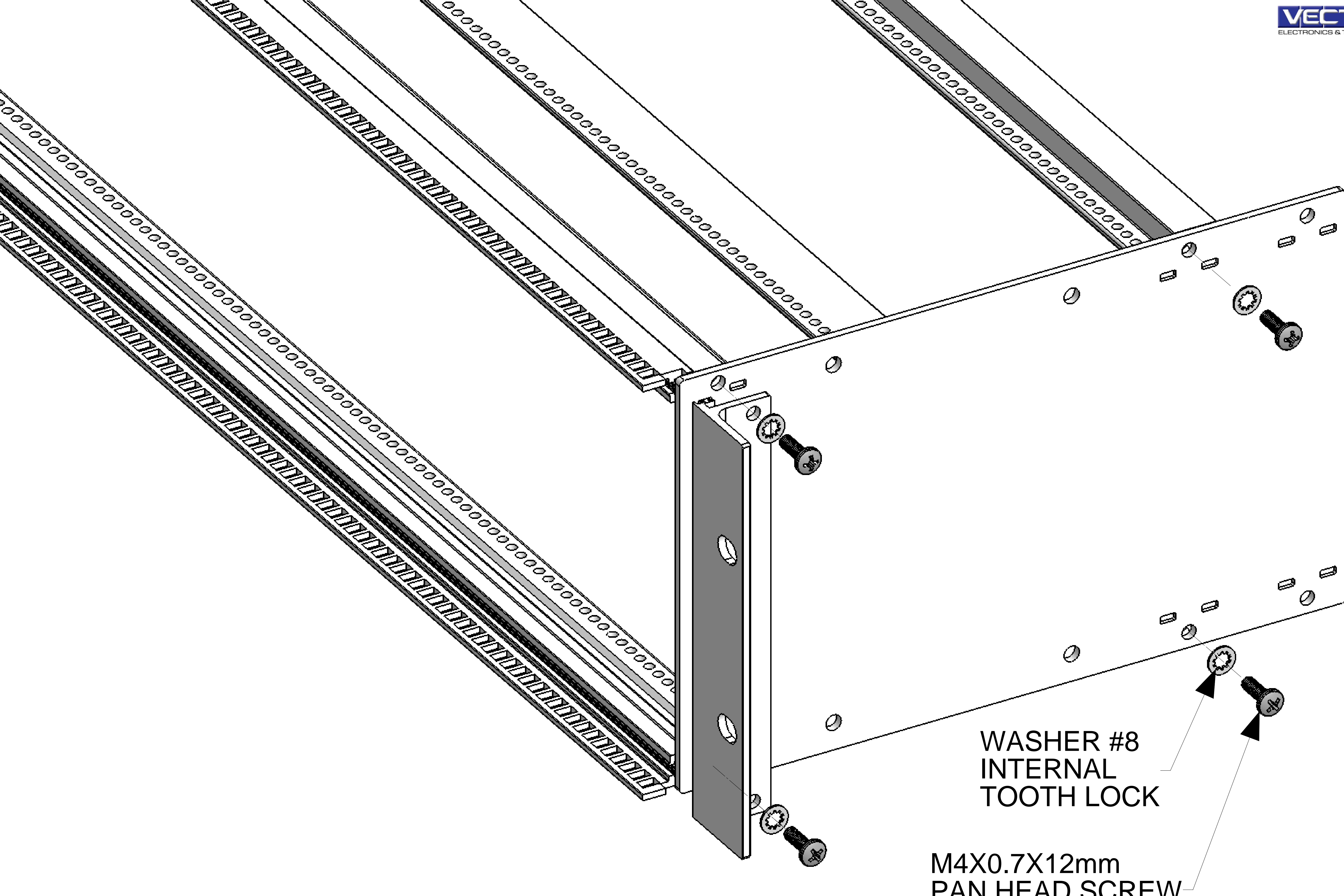


FRONT EXTRUSION

REAR EXTRUSION

2 INSTALL NUTSTRIPS





WASHER #8
INTERNAL
TOOTH LOCK

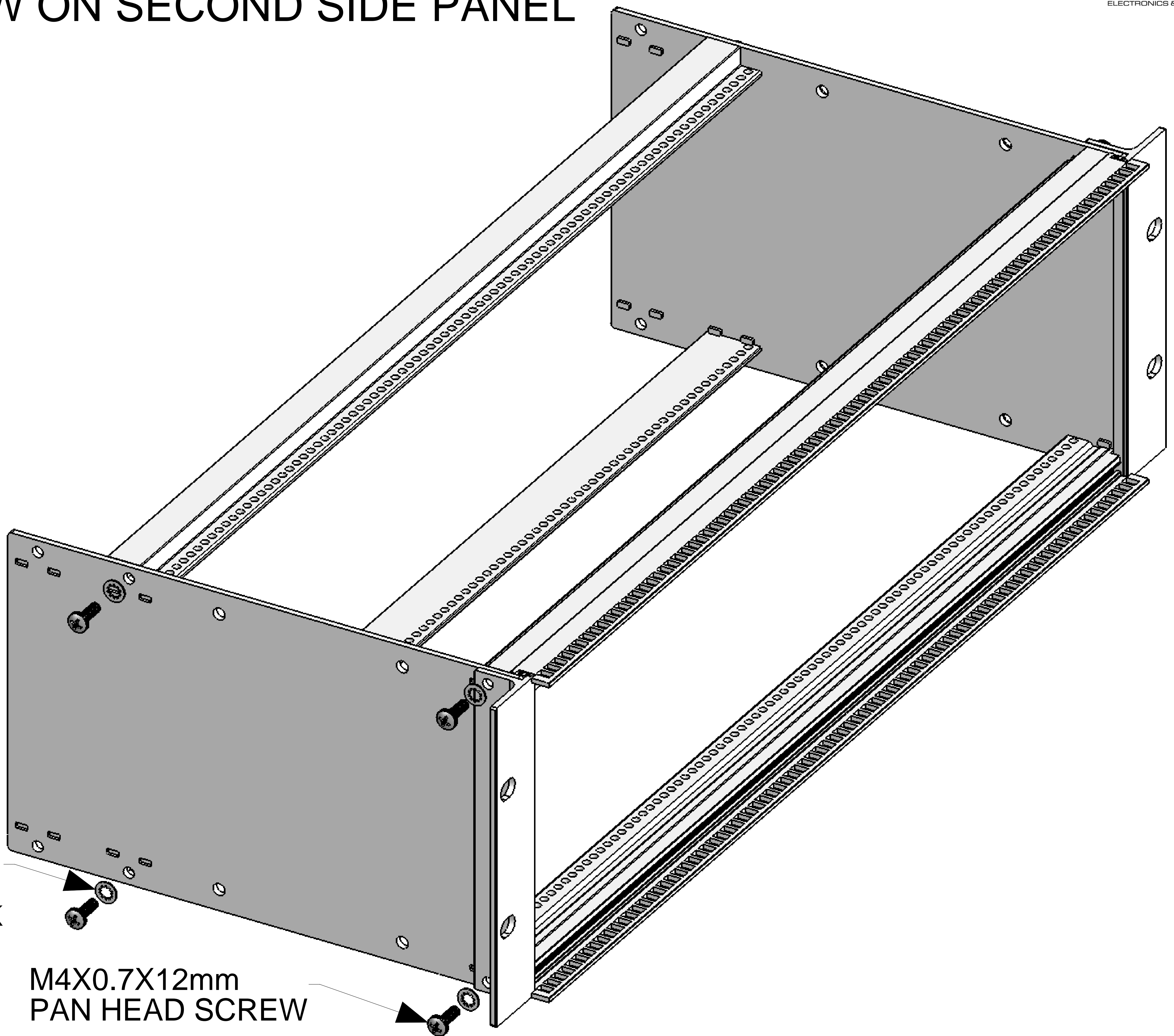
M4X0.7X12mm
PAN HEAD SCREW

3 SCREW FRONT & REAR EXTRUSIONS TO ONE SIDE PANEL

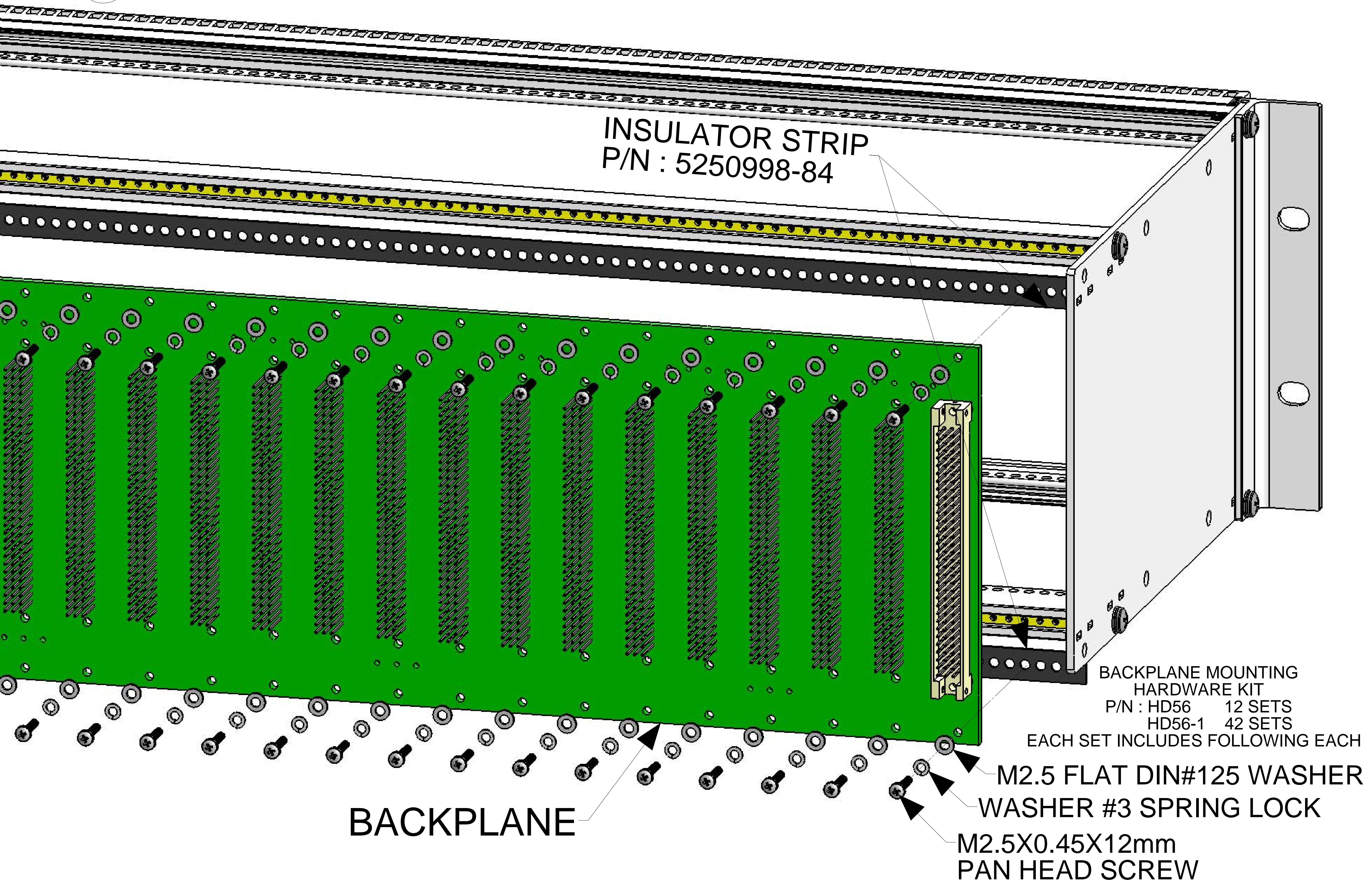
4 SCREW ON SECOND SIDE PANEL

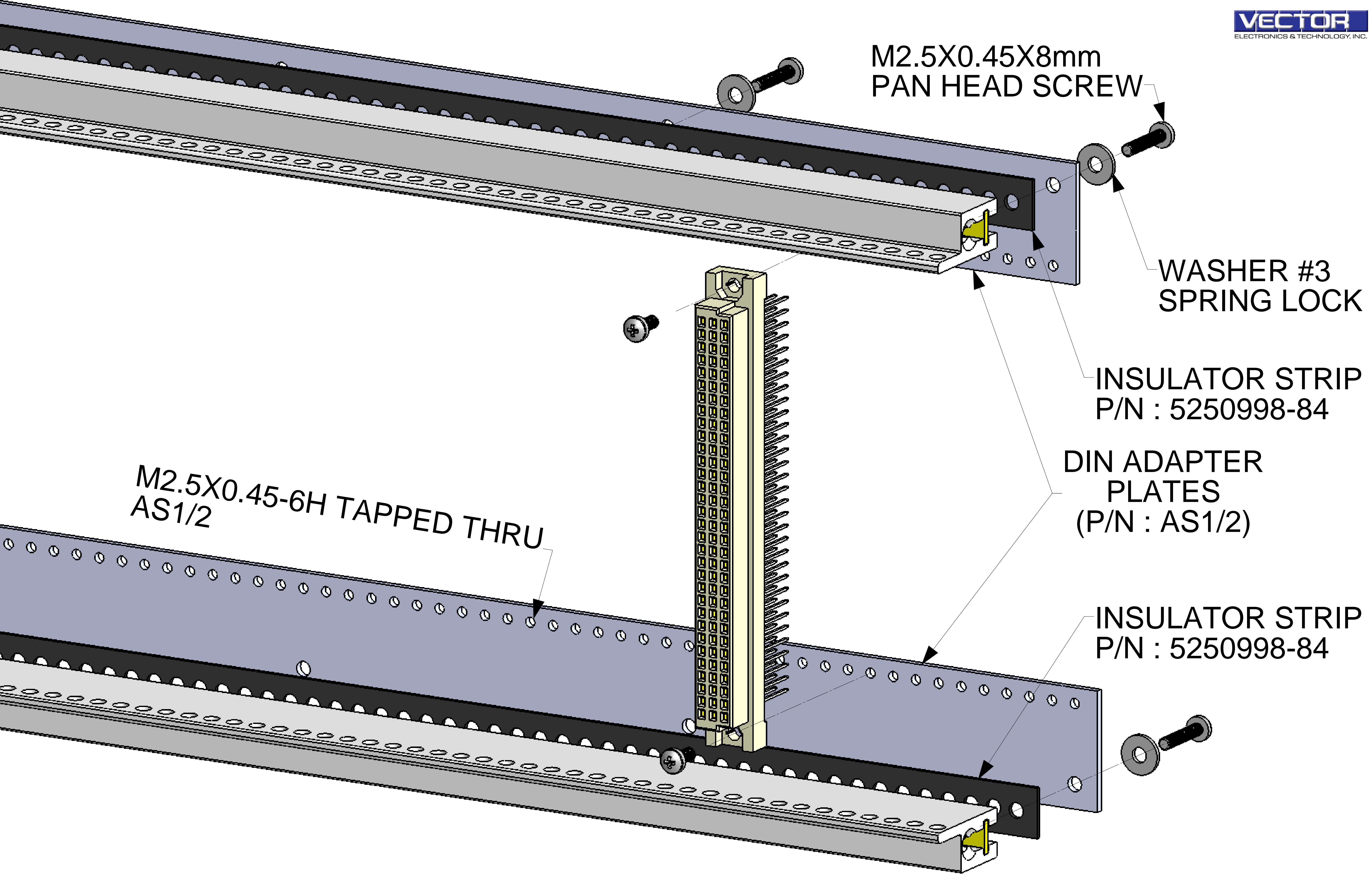
WASHER #8
INTERNAL
TOOTH LOCK

M4X0.7X12mm
PAN HEAD SCREW



5 INSTALL BACKPLANE



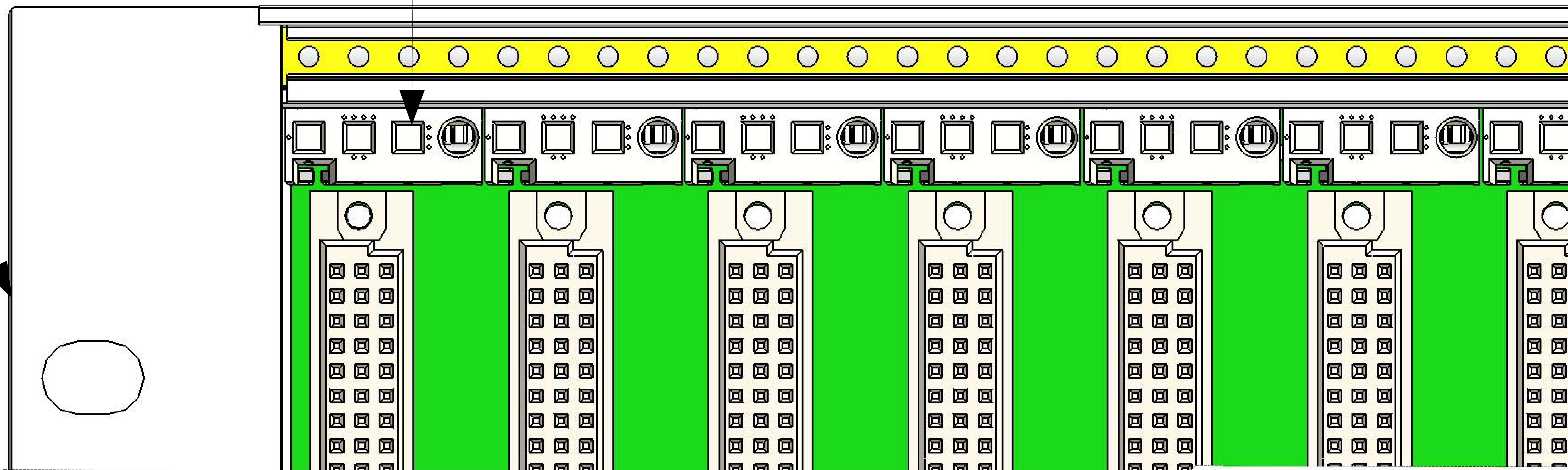


6 DIN ADAPTER STRIP INSTALLATION

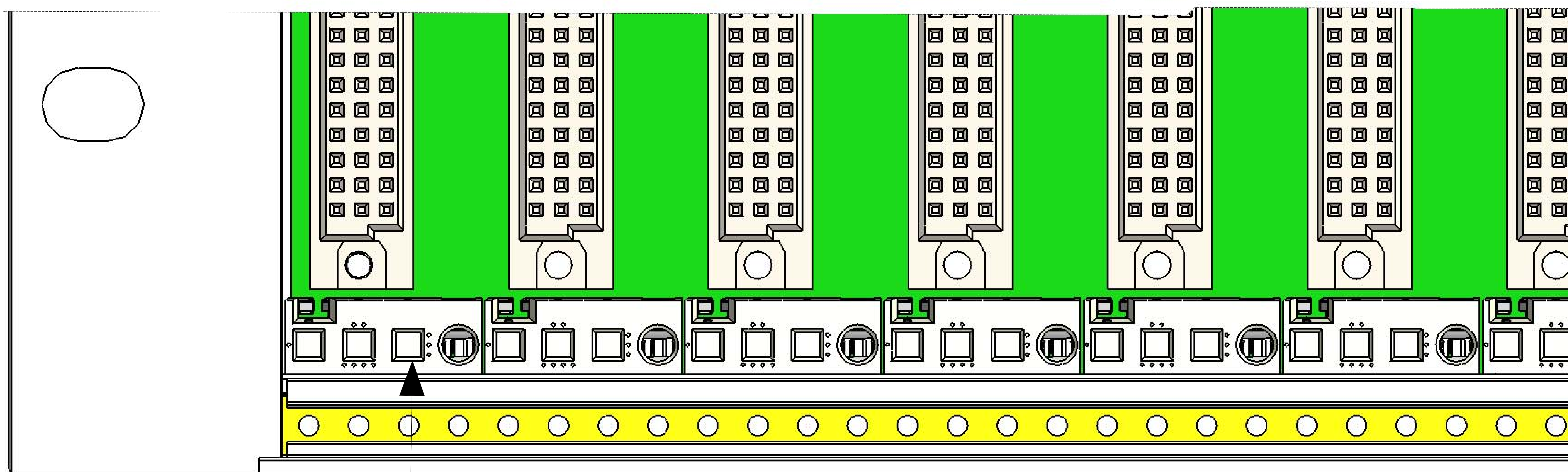
7.1 RELATION OF CARD GUIDE TO CONNECTORS

CG3 SERIES CARD GUIDE
INSTALLATION

CARD GUIDE ON TOP

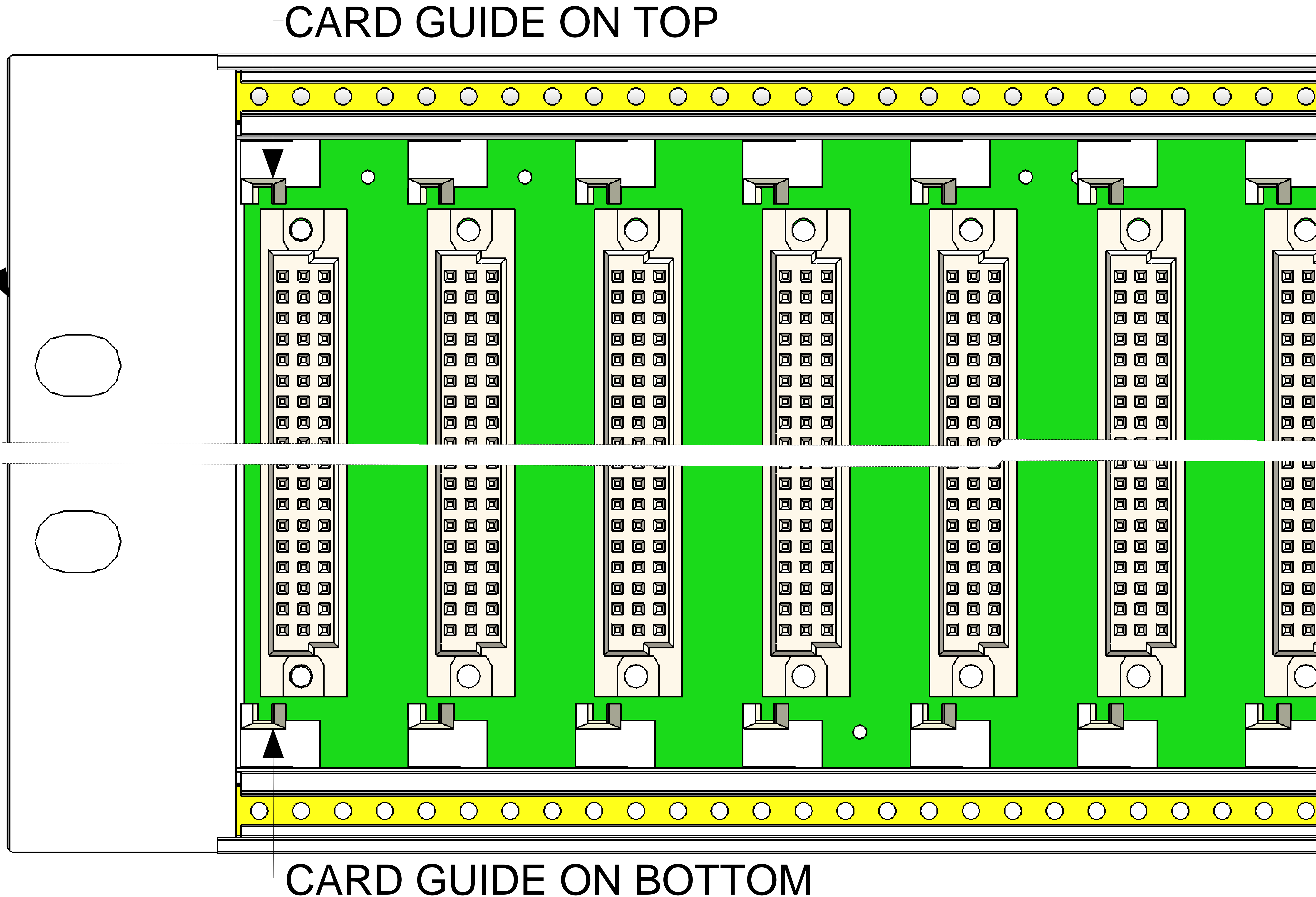


CARD GUIDE ON BOTTOM

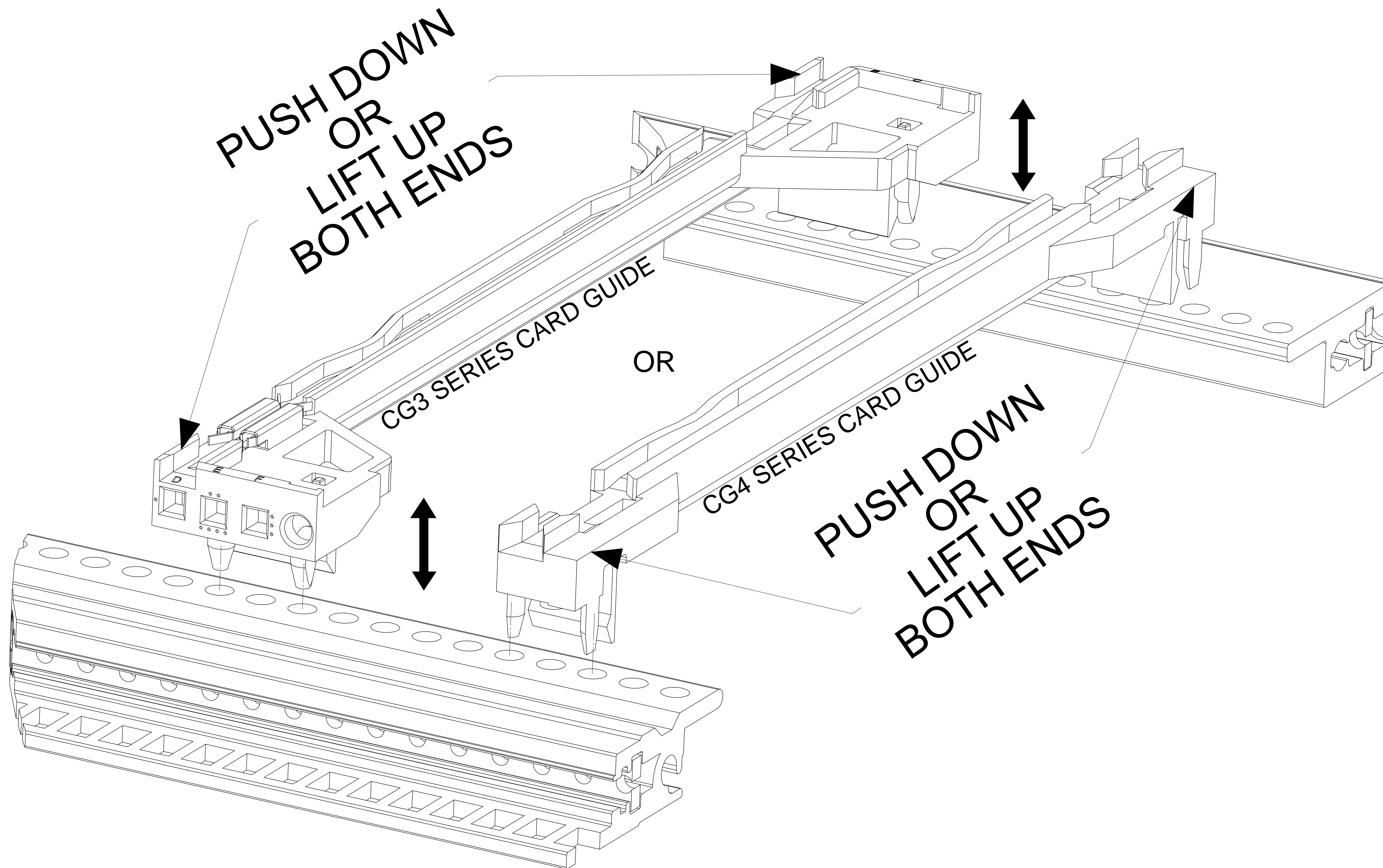


7.2 RELATION OF CARD GUIDE TO CONNECTORS

CG4 SERIES CARD GUIDE
INSTALLATION

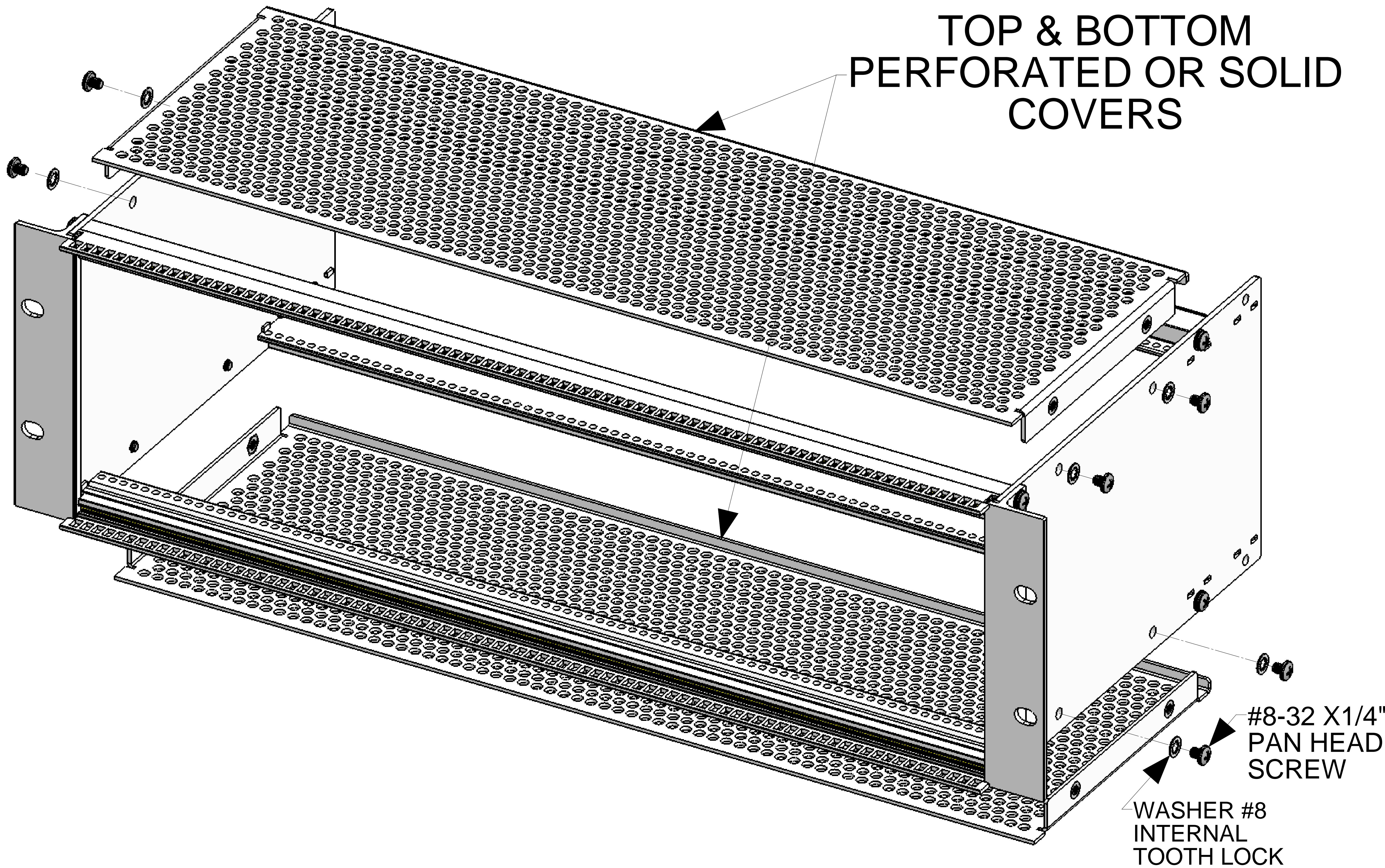


8 CARD GUIDE INSTALLATION & REMOVAL



9 TOP / BOTTOM COVER INSTALLATION

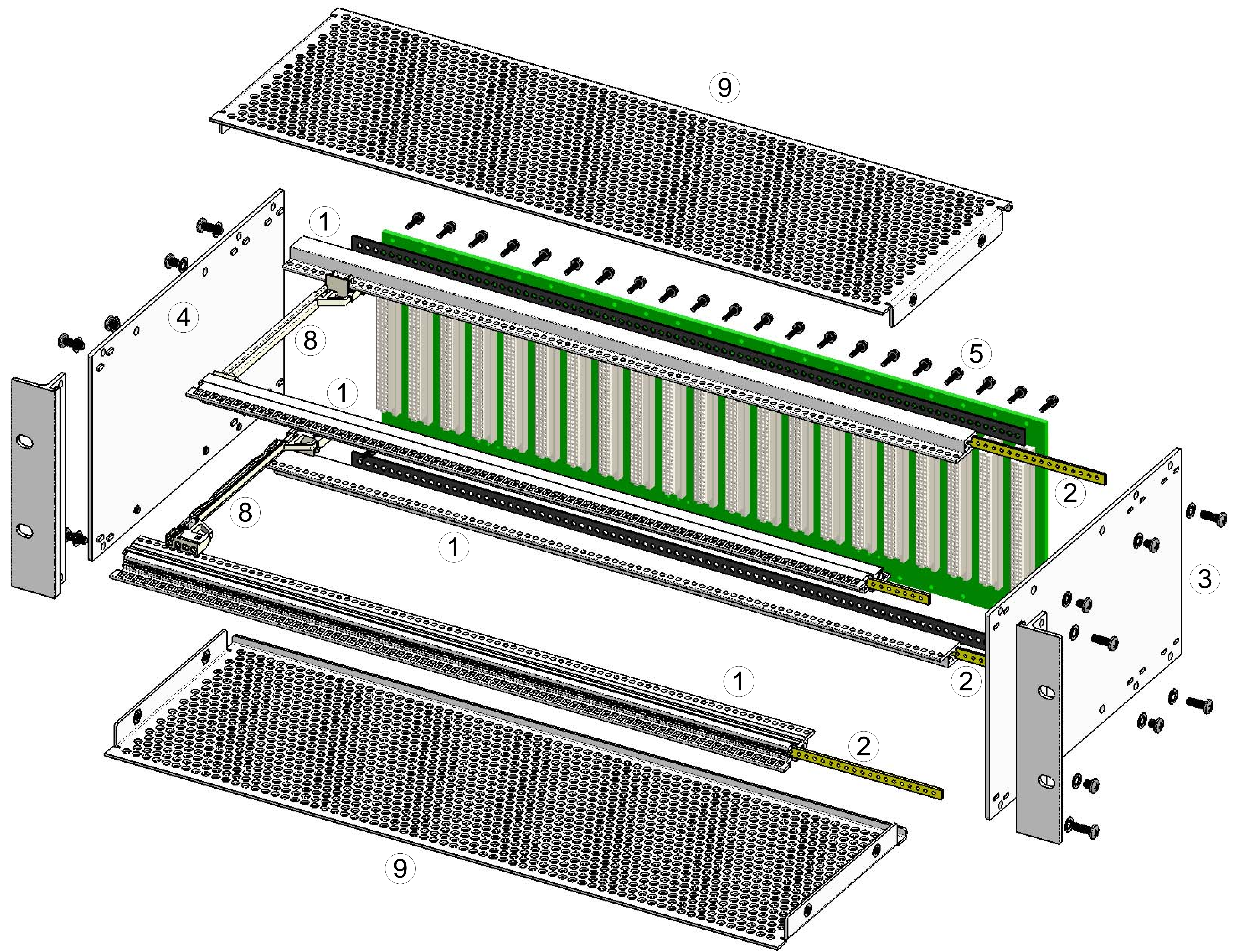
TOP & BOTTOM
PERFORATED OR SOLID
COVERS



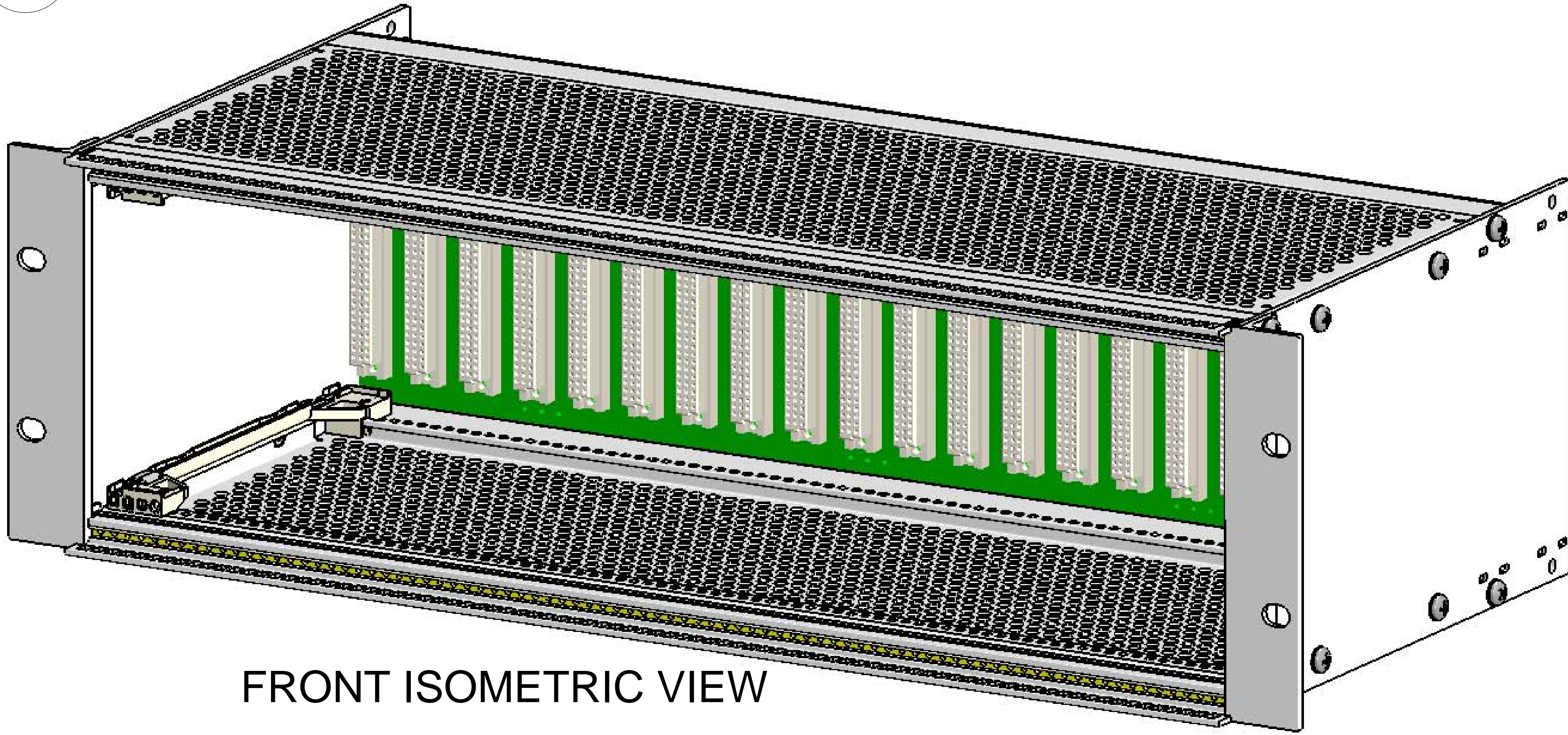
#8-32 X 1/4"
PAN HEAD
SCREW

WASHER #8
INTERNAL
TOOTH LOCK

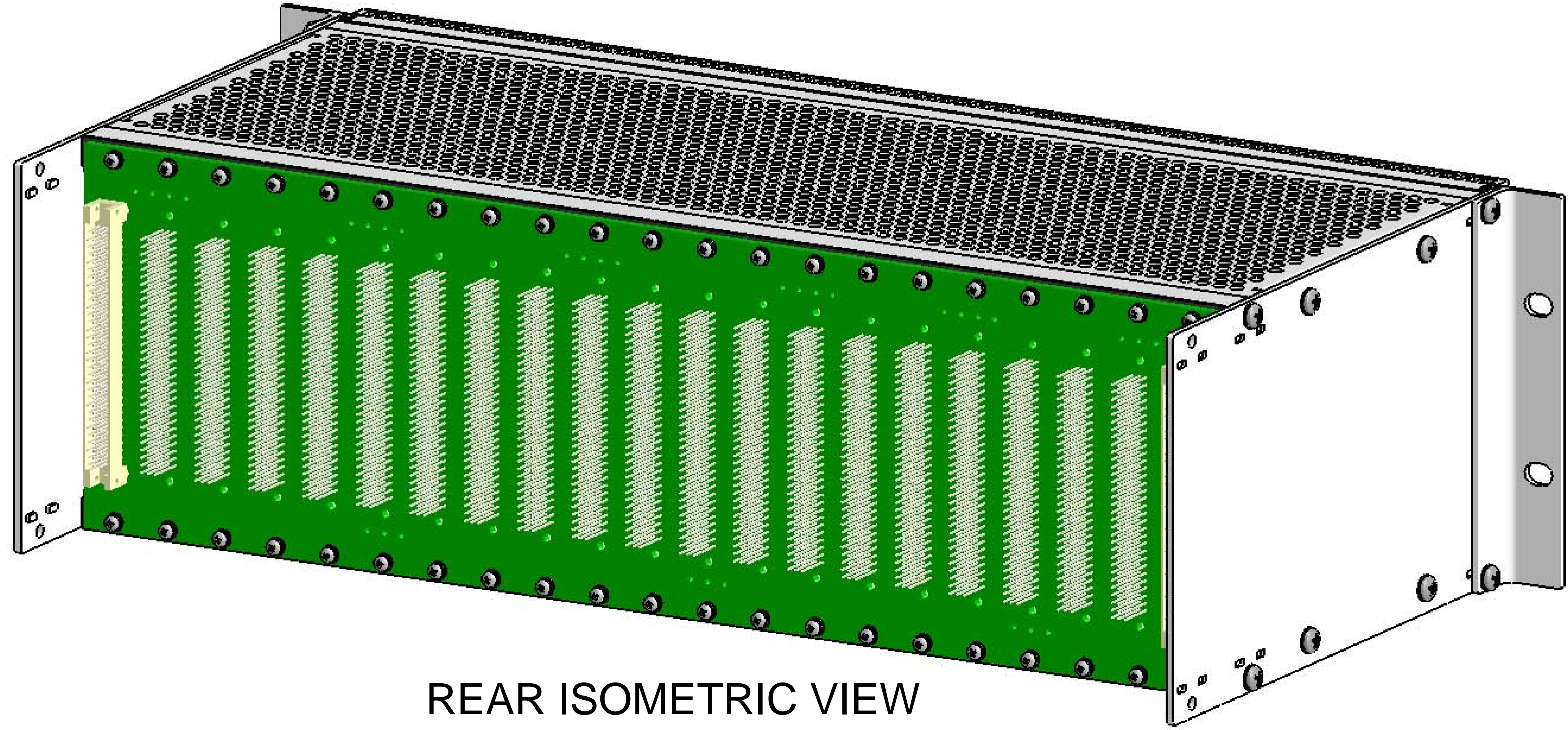
10 EXPLODED VIEW



11 FULLY ASSEMBLED



FRONT ISOMETRIC VIEW



REAR ISOMETRIC VIEW