

Grass UniSoft

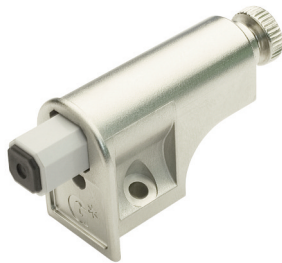
Soft-close for doors



Why is UniSoft the ideal universal Soft-close adapter?

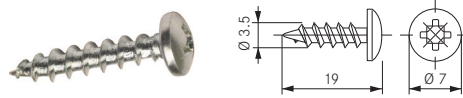
- Works for face frame cabinets on all door overlays
- Works for frameless cabinets on full overlay doors
- Blends in well with hinge finish
- Is non-handed with a low profile design
- Is manually adjustable to desired closing speed
- Is easy to mount by locating in the corner
- Has scratch protector and front bumper with cushion for a quiet close

UniSoft Adapter



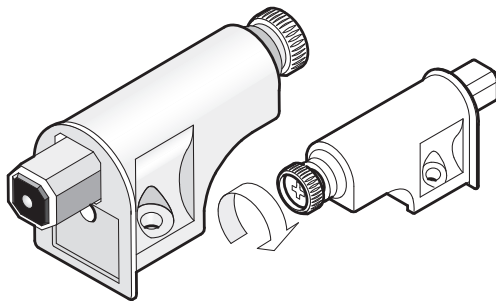
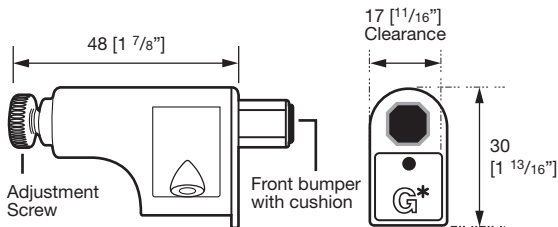
Description	Item No.	Packing Unit (Box quantity)
UniSoft, Universal Soft-close	18971-37	1 Polybag (125 Polybags)
	18971-40	25/bag (125/box)
	18971-14	250 Bulk

All bags include #6 x 3/4 Pan head screw.



Wood screw, nickel-plated

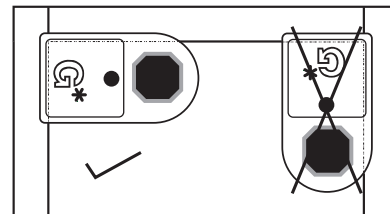
Description	Item No.
#6 x 3/4" PH	81002



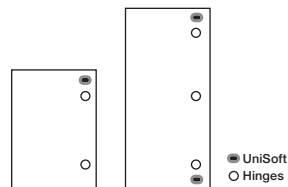
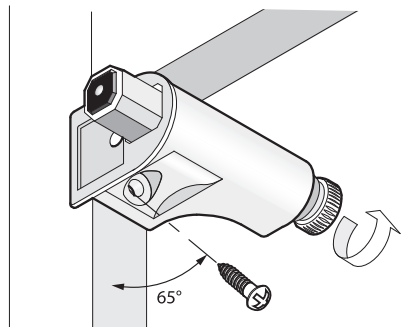
Adjustment

Turn adjustment screw to move damper in and out. Adjust in for heavier doors or out for light doors. Use Phillips or Pozidrive screwdriver or adjust manually.

Mounting



Important: Use a 65° angle for best mounting results. Pilot drill 2.3 mm [Ø3/32"] and 1/4" deep for a #6 x 3/4" Pan head screw recommended. Mount in upper corner on hinge side.



Number per door

Use one UniSoft for most applications. For heavier doors use two or more.
Trial mount recommended.

WARNING - CHOKING HAZARD - Small parts. Not a toy. Keep out of reach of children. Patent Pending

Dimensions in millimeters, approximate fractional inch equivalents as noted.