

# An Effective MIMO and Beamforming Solutions for 5G Technology

Prabhadevi Cheruku

*Lecturer, Dept of CS, SV Degree and PG College, Hyderabad, India.*

**Abstract-** Multi-antenna technologies corresponding to beamforming and Multiple-Input, Multiple-Output (MIMO) area unit anticipated to play a key role in "5G" systems, that area unit expected to be deployed in the year 2020 and on the far side. With a category of 5G systems expected to be deployed in each cm-wave (3-30 GHz) and mm-wave (30-300 GHz) bands, the distinctive characteristics and challenges of those bands have prompted a revisiting of the look and performance tradeoffs related to existing multi-antenna techniques so as to work out the well-liked framework for deploying MIMO technology in 5G systems. during this paper, we tend to discuss key implementation problems encompassing the preparation of transmit MIMO process for 5G systems. we tend to describe MIMO architectures wherever the transmit MIMO process is enforced at baseband, RF, and a mix of RF and baseband (a hybrid approach). We tend to specialize in the performance and implementation problems encompassing many candidate techniques for multi-user-MIMO (MU MIMO) transmission within the mm-wave bands.

**Index Terms-** 5G, Millimeter Wave, Enhanced Local Area (ELA) Technology, MIMO, Beamforming.

## I. INTRODUCTION

With the widespread preparation of "4G" cellular systems well current, the cellular business is searching for new technologies and new preparation models to satisfy the ever increasing demand for higher information rates and lower latencies at a lower price. Given the abundance of spectrum obtainable within the cm-wave and mm-wave bands, there ar vital analysis efforts into exploitation these bands (specifically twenty GHz- one hundred GHz) for "5G" cellular systems, that ar expected to be deployed on the far side 2020. The potential for system bandwidths a lot of bigger than what's obtainable within the ancient cellular bands (e.g., 100x greater) together with the potential for giant scale antenna arrays (due to shorter wavelengths) create these bands enticing for high-capacity small-cell deployments for dense user eventualities. Compared to ancient cellular systems in operation around two rate, transmissions within the rum-wave bands have considerably less favorable link budgets thanks to lower power electronic equipment output powers, higher path losses, and better shadowing losses from the considerably shriveled optical phenomenon and dispersion effects. as luck

would have it, the shorter wavelength within the mm-wave bands means that additional antennas will be packed into a similar physical space. Therefore, mm-wave 5G systems ar expected to deploy massive scale antenna arrays with tens or perhaps many antennas so as to mitigate the poor propagations conditions at those bands. specifically by deploying additional antennas within the same physical space, the raised path loss say going from thirty rate to seventy rate will be simply salaried for. The multi-antenna technologies deployed with nice success in L TE Releases eight-11 ar restricted to no quite 8 antenna ports per transmission purpose and ar usually deployed with a transceiver driving each antenna port. However, the MIMO methodologies in 4G systems and 5G cm-wave systems cannot merely be reused within the rum-wave bands given the necessity for larger numbers of antennas to beat the poor link budget. Also, with tens or many antenna components, the employment of a transceiver behind each antenna component can consume unacceptable amounts of power (especially the D/As and A/Ds) and can conjointly possible be price preventative, which implies RF oriented or hybrid approaches (both RF and baseband) could also be additional enticing. during this paper, we have a tendency to gift an summary of MIMO and Beam-forming solutions for each 5G cm-wave & rum-wave systems. we have a tendency to describe the baseband, RF, and hybrid architectures and think about numerous implementation problems adore array standardisation and channel state acquisition for implementing single-user (SU) and multi-user (MU) MIMO for 5G systems. we have a tendency to specialize in MU-MIMO transmission techniques and compare the performance of many candidate techniques: the RF "grid-of-beams" approach, the normal baseband-processed transmit zero-forcing approach together with code book and covariance- based mostly beamsteering approaches. we have a tendency to show however array standardisation errors will cause severe performance degradations and can so have to be compelled to be a vital element of any MIMO transmission strategy for 5G systems.

## II. MIMO TECHNOLOGY FOR 5G MM-WAVE

### A. Characteristics of 5G mm-wave / cm-wave

ELA 5G mm-wave Enhanced Local Area (ELA) systems are expected to be deployed with a significantly higher bandwidth than LTE (e.g., 1-4 GHz), whereas cm-wave systems will have bandwidths around 100 MHz With RF beamforming being

deployed with a large scale antenna array, Time Division Duplexing is a good alternative to Frequency Division Duplexing due to the ability to leverage uplink/downlink reciprocity in controlling the beamforming operation. The combination of a single transceiver operating with a wide bandwidth with RF beamforming means the transmitter cannot easily perform frequency-selective beamforming, so time multiplexing is preferred over frequency multiplexing. An implication is that frequency-selective multiplexing / scheduling will not be used, but the users will be scheduled with allocations that span the entire bandwidth.

**B. Baseband-oriented MIMO Architectures**

The multi-antenna technologies deployed by LTE macrocell base stations typically use an architecture such as the one shown in Fig. 1 where each antenna port is driven by a transceiver, and the multi-antenna methods operate at baseband (i.e., baseband MIMO architecture). Extensions to multi-stream transmission and reception involve incorporating multiple Receive and transmit weights in the baseband MIMO processing block. The current LTE standard supports up to 8 antenna ports per transmission point, but the concept of Massive MIMO [2], or Full-Dimension MIMO [3], is being considered for enabling more than 8 ports with a focus on high order MU-MIMO in LTE Rel-13. These methodologies assume a transceiver behind every antenna and are also being considered for 5G systems for higher frequencies.

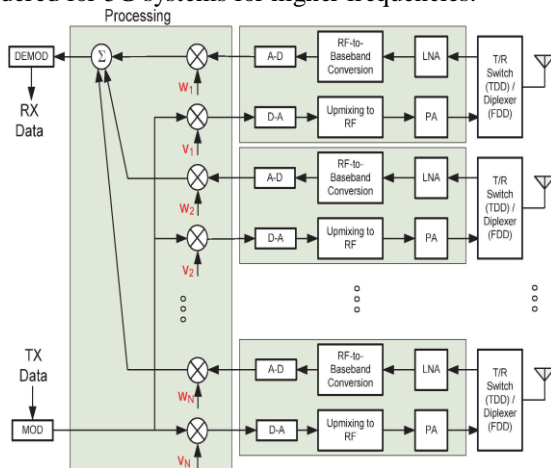


Fig.1: Baseband MIMO Architecture - transceiver behind every antenna port - Single spatial stream on transmit and receive.

**C. MU-MIMO FOR 5G EM-WAVE AND MM-WAVE**

Downlink MU-MIMO solutions involve sending information to two or a lot of users on identical time-frequency resources. In LTE base stations victimisation the design of Fig. 1, MU-MIMO operates best with correct information of the downlink channel response between every transmit antenna and every receiver antenna. therewith information, the bottom will

calculate transmit weights that time towards the specified user whereas minimizing the energy transmitted to the opposite shared users (e.g., USING a zero-forcing criteria). In 5G rum-wave systems with the design in Fig. 2, MU-MIMO will be enforced inside th switched-beam thought wherever the most effective slender beam for every paired user is chosen, and also the cross-talk between the paired users is passively reduced via the low side lobes of beams.

**III. PERFORMANCE EVALUATION**

In this section, we tend to examine the performance of downlink MU-MIMO with the implementation alternatives delineated in the previous section: specifically the RF-based design in Fig. a pair of versus the standard baseband transmission methodology in Fig. 1. additionally to showing the performance variations, we additionally show the impact of array standardisation errors on the transmission schemes. We think about four transmission schemes to spotlight a number of the key problems with MU-MIMO for 5G: the primary could be a grid-ofbeams (GoB) approach operative at RF wherever every user selects and indicates to the bottom station the well-liked beam. The second could be a transmit zero-forcing (ZF) approach supported codebook (CB) feedback. The third is transmit zero forcing based on information of the downlink variance matrix. The fourth could be a easy beamforming approach supported the most important eigenvector of the downlink variance matrix (call deigen beam-forming or EBF). The GoB approach operates with the RF-based design of Fig. 2, whereas the opposite approaches operate with the baseband-architecture of Fig. 1. These four transmission schemes may be classified on whether the transmission formula incorporate null steering (ZF supported CB feedback or the variance matrix) or not (GoB and covariance-matrix-based beam-forming). These schemes may also be classified on whether or not there's a division effect from a finite set of beams (GoB and CB-based ZF) or not (the covariance-matrix-based methods) . We think about a base station with a sixteen part antenna array of uniformly spaced vertical dipoles at the same time transmittal to four users in AN MU-MIMO fashion. To alter honest comparisons, the beams used for the RF GoB approach square measure the same because the CB entries within the CB-based ZF approach. The matrix of beams in each cases is solely a matrix F whose columns are DFT vectors, For these approaches, we tend to additionally think about the impact of array calibration errors within the transmit methods at the bottom station. For the mark case, every transmit path incorporates a constant gain and zero part across the whole information measure on every transmit path. For an un calibrated array, we tend to think about 2 sources of errors: random band phases and temporal arrangement arrangement. The random wideband part errors square measure modelled as an easy random phase on every transmit path, uniformly distributed between 0 and 2n, that's

constant across time and frequency. The timing misalignment is modelled with a goop delay price wherever one transmit path is arbitrarily chosen as a zero-delay reference, a second transmit path is arbitrarily chosen to own a time offset equal to the goop delay price, and therefore the alternative methods have a time offset uniformly distributed between zero which goop delay value. These phases and delays square measure constant across the codebook selection and information transmission intervals, in order that they square measure effectively a part of the general downlink channel used for GoB beam choice, CB choice, and variance matrix calculation. Their impact is essentially to distort the general effective downlink channel seen by the users. Fig. four through Fig. half dozen shows the common link-level add throughput vs. SNR for a MU-MIMO link-level simulation where every multiplexed user has identical SNR. In these plots, an outsized variety of channel realizations was generated for each SNR price consistent with the 3GPP Line of Sight(LOS) channel model [7]. we tend to assume ideal beam and CB index choice for the GoB and CB-based ZF approaches severally, and the variance matrix-based approaches operated with excellent channel information (zero feedback delay). Ideal link adaptation for every MU-MIMO user was assumed where the modulation and secret writing rate was chosen supported ideal information of the downlink channel and therefore the transmit weights. each the link adaptation and downlink turnout prediction were supported the Exponential Effective SNR. Mapping criteria [6]. A twenty MHz cm-wave OFDM system with broadband programing was simulated for the analysis, and the according link level output is that the average of the successfully delivered bits per OFDM resource part (RE) summed across all four multiplexed users. Similar trends were seen for mm-wave systems and better bandwidths. Fig3 shows the result of section standardization errors (with zero timing errors within the transmit paths) for the four transmission methods. With mark arrays, covariance-based ZF outperforms the other strategies however at the price of requiring a transceiver behind each antenna. The GoB and covariance-based EBF have nearly identical performance, that indicates there is little to be lost from beam quantization within the beam forming only approaches. For uncalibrated transmit phases, there was practically no degradation with covariance-based ZF or EBF, so those curves area unit omitted for clarity. However, the performance of GoB and CB-based ZF suffers considerably as a result of the random phases severely distort the DFT-based beams. Fig. 4 and Fig. half dozen show the result of transceiver temporal order placement on the performance of covariance-based and CBbased zero forcing severally. Increasing the easy lay delay value seriously degrades the performance with each strategies, but note that the degradation with CB-feedback is considerably greater than with information of the variance matrix. These results

highlight the numerous want for precise array standardization for 5G MU-MIMO systems.

IV. RESULTS

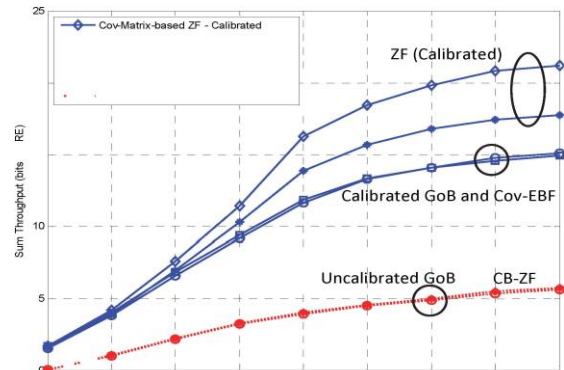


Fig.2: Link-level sum throughput with perfect calibration and with wideband phase errors.

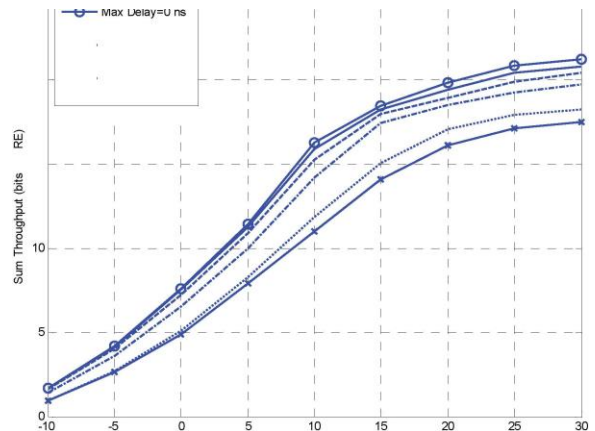


Fig.3: Link-level sum throughput with transmitter delay errors - Covariance Matrix-based Zero Forcing.

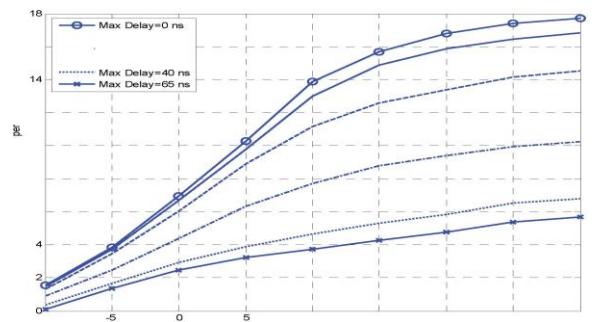


Fig.4: Link-level sum throughput with transmitter delay errors - Codebook-based Zero Forcing.

V. CONCLUSION

In this paper, we have a tendency to examined many MIMO architectures for 5G mm-wave systems and highlighted the implementation issues close the employment of MU-MIMO. we have a tendency to showed the performance of many candidate transmit MU-MIMO techniques for 5G systems and showed the requirement for precise antenna array activity with giant scale antenna arrays playing MU-MIMO.

#### VI. REFERENCES

- [1]. M. Cudak, et al., "Moving towards mmWave-based beyond-4G (B-4G) technology," Proc.IEEE VTC-2013-Spring, June 2013.
- [2]. F. Rusek, et al., "Scaling up MIMO: Opportunities and Challenges with Very Large Arrays," IEEE Signal Processing Mag., vol. 30, no. 1, pp. 40-46, Jan. 2013
- [3]. RP-121804, "Study on Full Dimension MIMO for LTE," Samsung, 3GPP TSG RAN Meeting #58, December 4-7, 2012.
- [4]. IEEE P802.11ad/D5, "IEEE Draft Standard for Local and Metropolitan Area Networks - Specific Requirements - Part 11: Wireless LAN Medium Access Control (MAC) and Physical Layer (PHY) Specifications - Amendment 3: Enhancements for Very High Throughput in the 60 GHz Band"
- [5]. Q. H. Spencer, et al., "Zero-forcing methods for downlink spatial multiplexing in multiuser MIMO channels," IEEE Trans. On Signal Proc., vol. 52, no. 2, pp. 461-471, 2004.
- [6]. Y. Blankenship, et al., "Link Error Prediction Methods for Multicarrier Systems," IEEE VTC2004-Fall.
- [7]. 3GPP TR 36.814, "Further Advancements for E-UTRA Physical layer Aspects (Release 9), v9.0.0, March 2010.