



BACKHOE ATTACHMENT



One Tough Animal™

Backhoe

Attachment

Digging Power. Ground Clearance.

Efficient. Economical. Versatile.

Now your multi-job Bobcat® loader can become even more of a time-saving workhorse when you add the Bobcat backhoe to your line of attachments.

It's ideal for landscaping and nursery work, sewage systems and septic tanks, water and power lines and many other excavation jobs.

Once the digging is done, quickly switch your loader to a bucket for backfilling, then to one of several other attachments to handle a number of jobs. Versatility means money savings!

One demonstration will prove in a hurry how efficient and economical a Bobcat loader and backhoe combination can be for you.

These Bobcat-built benefits:

- Easy to transport.
- Excellent down-hole visibility, easy service, shielded hoses, plenty of power.
- Uses the Bob-Tach™ mounting system for quick and easy attachment changes.
- Optional equipment includes street pads and rear stabilizers for increased performance and versatility (for some models only).

M06

For MT52 and
MT55 Loaders

- Maximum digging depth of more than 6 ft.
- Narrow width for working in tight areas.
- Combination Bob-Tach™ system and lift arm mounting for quick and easy attachment changes.
- Fold-down stabilizers for excellent stability.
- Flip-up seat for easy maintenance without removing attachment.



406

For Bobcat 463 and S70
Skid-Steer Loaders

- Maximum digging depth of 6 ft.
- Narrow width for working in tight areas.
- Combination Bob-Tach™ system and frame mounting for quick and easy attachment changes.



506

For Bobcat 463, 553, S70 and S100 Skid-Steer Loaders

- Maximum digging depth of 6 ft.
- Narrow width for working in tight areas.
- Combination Bob-Tach™ system and frame mounting for quick and easy attachment changes.



607

For Bobcat S130, S150, S160, S175, S185, S205, T140, T180 and T190 Loaders

- Digging depth of nearly 8 ft. for high-performance backhoe work.
- Single bucket-mounting position for both straight wall digging and power digging.
- Ground clearance for a standard 6 in. curb.
- Vertical stabilizers are ideal for working in tight areas.





709

*For Bobcat S130, S150, S160,
S175, S185, S205, T140, T180
and T190 Loaders*

- Digging depth of 9 1/2 ft. for high-performance backhoe work.
- Single bucket-mounting position for both straight wall digging and power digging.
- Ground clearance for a standard 6 in. curb.
- Greater digging force in both the bucket and dipperstick cylinders.
- Available with vertical or fold-down stabilizers.

8811

*For Bobcat S220, S250, S300,
S330, A300, T250, T300 and
T320 Loaders*

- Digging depth of 11 ft. for high-performance backhoe work.
- Easy-to-see mounts can be connected and disconnected without leaving the cab.
- Single bucket-mounting position for both straight wall digging and power digging.
- Greater digging force in both the bucket and dipperstick cylinders.





Rear Stabilizers Improve Performance (Stabilizer with Weight Kit)

Increase your backhoe performance in a wide range of jobs with an optional set of frame-mounted rear stabilizers. Improves performance by transferring weight of machine to the backhoe where it's needed for more digging capability. Rear stabilizers also assist in leveling the loader on uneven terrain. Rear stabilizers are available for most Bobcat loaders and can be quickly mounted and removed.



Street pads

available for backhoe and rear stabilizers (except M06, 406 and 506).

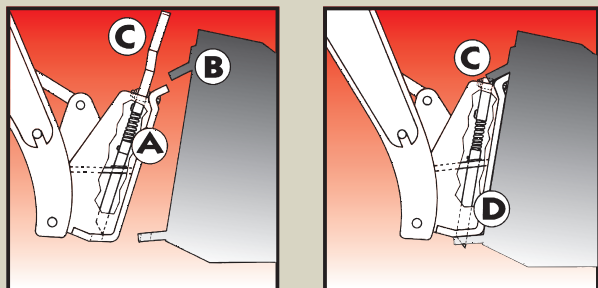


Operator Training

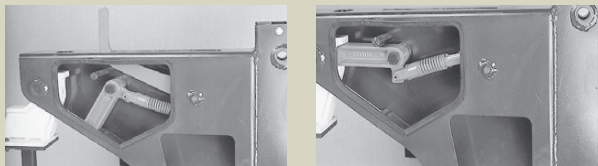
Train new operators and bring current operators up-to-date with the latest safety and operation functions of Bobcat backhoes. The kit is available through your dealer's parts department.

A Winning Combination!

Bobcat® loaders feature the exclusive Bob-Tach™ system for fast, secure attachment changes. As quick as a snap, your versatile Bobcat loader quickly turns into a multi-job machine with a tight-fit attachment hook-up...from bucket to grapple to pallet fork to backhoe...and a variety of other attachments.



Exclusive Bob-Tach system Left to right, Bob-Tach frame (A) moves into attachment flange. (B) Handle (C) pushes down easily, pressing wedge (D) through frame and attachment hole for a solid connection.



Hook Mounts In addition to the Bob-Tach system, Bobcat® backhoe attachments also use hook mounts to latch the backhoe to the loader frame. A lever on each backhoe arm is engaged to lock the backhoe onto the loader hook mounts.

The Bob-Tach and backhoe mounting systems combine to provide an easy and secure method to attach the Bobcat backhoe.*

*See the backhoe operation and maintenance manual for complete instructions on properly securing a backhoe to your loader.

Get Hitched Quick

The Bobcat® exclusive X-Change® system makes changing attachments fast and easy!

Heavy Duty X-Change®

Hook-up:



1. Fully retract attachment cylinder and align X-Change. Using the boom and arm functions, engage X-Change pins with attachment ears. Raise attachment slightly off ground using the boom function.



2. Using the attachment function, curl the X-Change forward until it has full contact with the back of the attachment. Lower boom to the ground, until the X-Change is fully seated in the attachment interface.



3. Insert attachment retaining pin completely through the X-Change and attachment. Install ring-lock pin.

Removal:



1. Place attachment on level ground surface. Remove ring-lock pin. Remove attachment retaining pin.



2. Raise work group (boom and arm) until attachment hangs on X-Change ears.



3. Retract attachment cylinder completely. Lower attachment to ground. Disengage X-Change pins from attachment ears using boom and arm functions.

Standard equipment on the 325, 328, 331, 331E, 334, 337, 341, 430 and 435.

Specifications

| General | M06 | 406 | 506 | 607 | 709 | 709 F/D | 8811 |
|-------------------------|------------------|------------------|------------------|-------------------|-------------------|-------------------|-------------------|
| Weight - Without Bucket | 685 lb. (310 kg) | 507 lb. (230 kg) | 531 lb. (241 kg) | 1298 lb. (589 kg) | 1487 lb. (675 kg) | 1637 lb. (743 kg) | 1986 lb. (901 kg) |

Dimensions

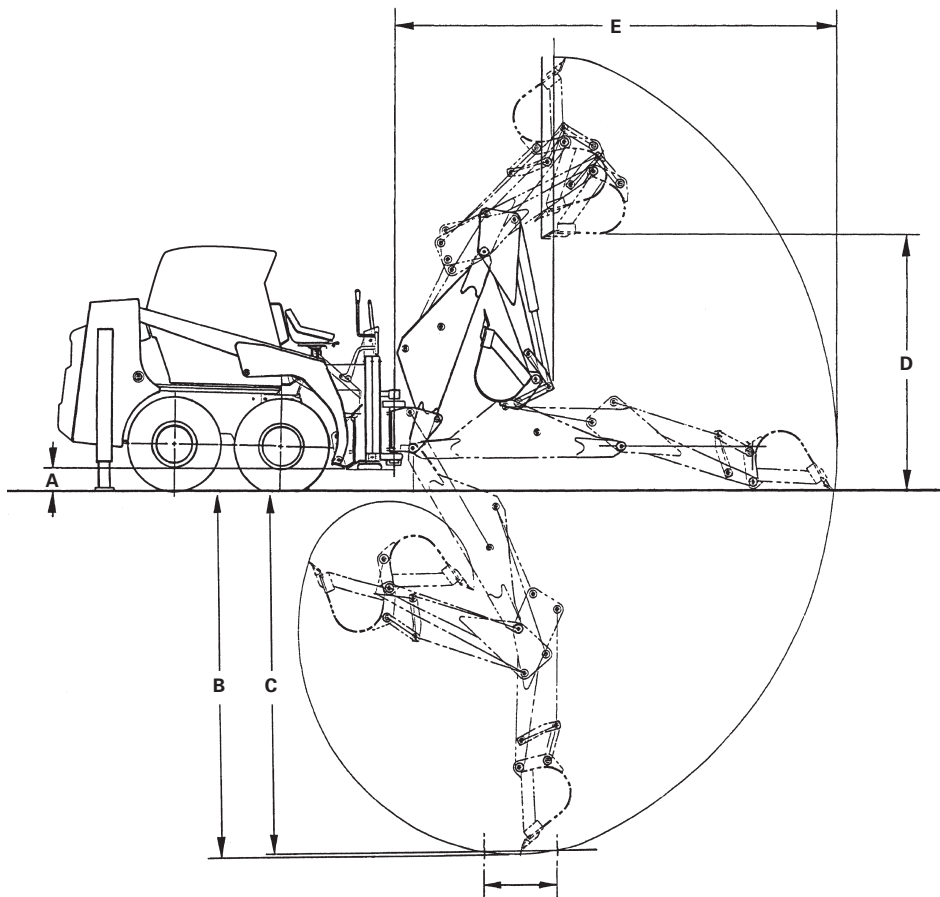
| | | | | | | | |
|---------------------------------------|--------------------|--------------------|--------------------|---------------------|---------------------|---------------------|---------------------|
| Stabilizer Type | Fold-Down | Fixed (Manual) | Fixed (Manual) | Vertical | Vertical | Fold-Down | Fold-Down |
| Stabilizer Spread Transport | 41.8 in. (1062 mm) | 39.7 in. (1009 mm) | 39.7 in. (1009 mm) | 54.0 in. (1373 mm) | 54.1 in. (1374 mm) | 74.1 in. (1882 mm) | 82.0 in. (2082 mm) |
| Stabilizer Width, Pads Removed | 36.0 in. (914 mm) | | | | | | |
| Stabilizer Spread Working | 64.3 in. (1633 mm) | 39.7 in. (1009 mm) | 39.7 in. (1009 mm) | 54.0 in. (1373 mm) | 54.1 in. (1374 mm) | 120.5 in. (3061 mm) | 130.3 in. (3309 mm) |
| Ground Clearance (A) | 2.0 in. (51 mm) | 4.0 in. (102 mm) | 4.0 in. (102 mm) | 8.4 in. (214 mm) | 6.8 in. (172 mm) | 6.8 in. (172 mm) | 5.5 in. (140 mm) |
| Digging Depth - Maximum (B) | 76.2 in. (1935 mm) | 73.0 in. (1854 mm) | 73.0 in. (1854 mm) | 95.1 in. (2416 mm) | 116.6 in. (2962 mm) | 116.6 in. (2962 mm) | 135.7 in. (3448 mm) |
| Digging Depth - 2 ft. Flat bottom (C) | 72.5 in. (1841 mm) | 70.2 in. (1783 mm) | 70.2 in. (1783 mm) | 93.9 in. (2386 mm) | 115.6 in. (2937 mm) | 115.6 in. (2937 mm) | 134.8 in. (3425 mm) |
| Loading Height (D) | 38.9 in. (988 mm) | 45.0 in. (1143 mm) | 45.0 in. (1143 mm) | 72.3 in. (1837 mm) | 83.3 in. (2115 mm) | 83.3 in. (2115 mm) | 100.0 in. (2539 mm) |
| Reach from Swing Pivot (E) | 88.0 in. (2235 mm) | 88.0 in. (2235 mm) | 88.0 in. (2235 mm) | 123.2 in. (3128 mm) | 145.3 in. (3691 mm) | 145.3 in. (3691 mm) | 166.0 in. (4216 mm) |
| Swing Arc | 180° | 180° | 180° | 180° | 180° | 180° | 180° |
| Bucket Rotation | 146° | 146° | 146° | 185° | 200° | 200° | 200° |

Bucket Mounting System

| | | | | | | |
|--------|--------|--------|------------------|------------------|------------------|------------------|
| Pin-on | Pin-on | Pin-on | X-Change™ system | X-Change™ system | X-Change™ system | X-Change™ system |
|--------|--------|--------|------------------|------------------|------------------|------------------|

Available Bucket Widths

| | | | | | | |
|-----------------|-----------------|-----------------|-----------------|-----------------|-----------------|-----------------|
| 9 in. (229 mm) | 9 in. (229 mm) | 9 in. (229 mm) | 13 in. (330 mm) | 13 in. (330 mm) | 13 in. (330 mm) | 13 in. (330 mm) |
| 12 in. (305 mm) | 12 in. (305 mm) | 12 in. (305 mm) | 16 in. (406 mm) | 16 in. (406 mm) | 16 in. (406 mm) | 16 in. (406 mm) |
| | 16 in. (406 mm) | 16 in. (406 mm) | 20 in. (508 mm) | 18 in. (457 mm) | 18 in. (457 mm) | 18 in. (457 mm) |
| | 20 in. (508 mm) | 20 in. (508 mm) | 24 in. (610 mm) | 20 in. (508 mm) | 20 in. (508 mm) | 20 in. (508 mm) |
| | | | | 24 in. (610 mm) | 24 in. (610 mm) | 24 in. (610 mm) |
| | | | | 30 in. (762 mm) | 30 in. (762 mm) | 30 in. (762 mm) |
| | | | | | | 36 in. (914 mm) |
| | | | | | | 39 in. (991 mm) |
| | | | | | | Grading Bucket |



Also see Bob-Tach™ Backhoe literature for an economically priced backhoe that is operated from within the cab.

NOTE - Where applicable, dimensions are in accordance with Society of Automotive Engineers (SAE) and ISO standards. Specifications and design are subject to change without notice. Pictures of Bobcat loaders may show other than standard equipment. All dimensions are given for loader equipped with standard tires. All dimensions are shown in inches. Respective metric dimensions are enclosed by parentheses. Bobcat Company complies with the requirements of ISO 9001 as registered with BSI.

These attachments may also be approved for certain new Bobcat loader models. See your Bobcat dealer for details.

The Bobcat Attachments Advantage: Bobcat attachments are engineered and manufactured to fit Bobcat loaders for optimum job performance, dependability and durability.