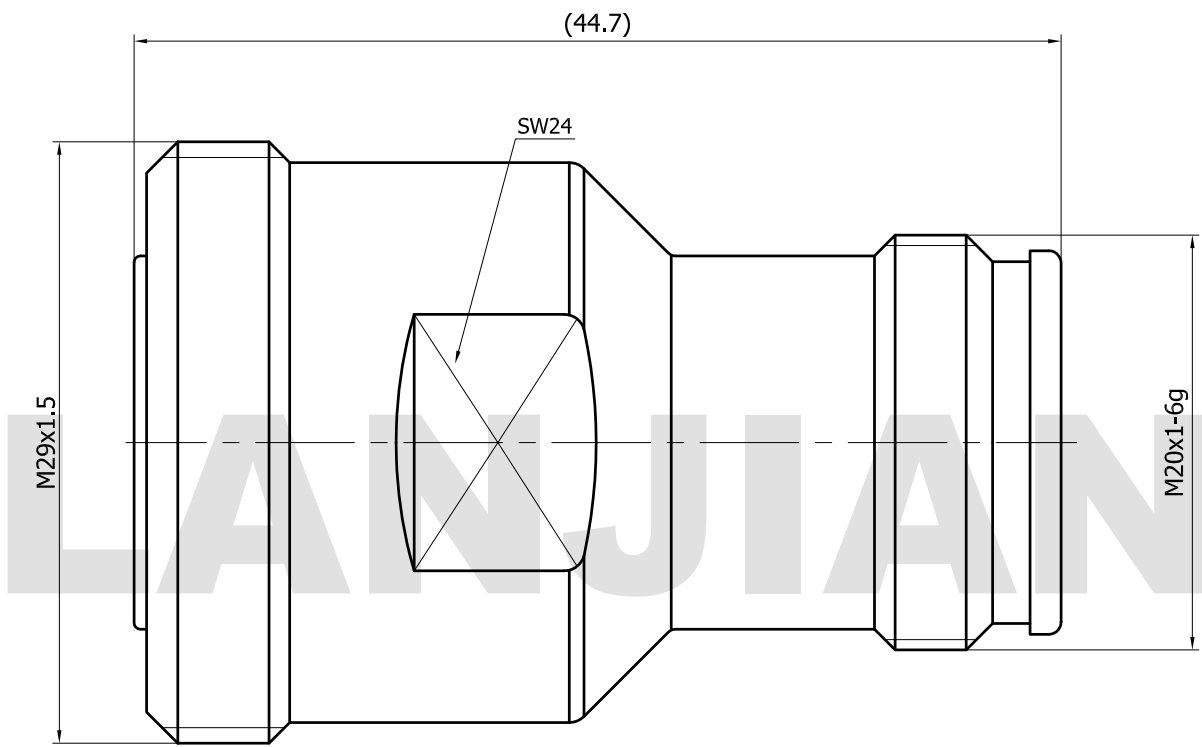


PRODUCT DATA SHEET



MATERIAL:
 BODY: BRASS
 CONTACT: BERYLLIUM COPPER
 INSULATOR: PEI
PERFORMANCE:
 IMPEDANCE: 50 OHMS
 FREQUENCY: DC TO 7.5 GHz
 VSWR: ≤1.2

THIS DOCUMENT CONTAINS CONFIDENTIAL AND PROPRIETARY INFORMATION THAT CANNOT BE REPRODUCED OR DIVULGED, IN WHOLE OR IN PART, WITHOUT WRITTEN AUTHORIZATION FROM LANJIAN ELECTRONICS	MATERIAL :		
	UNLESS OTHERWISE SPECIFIED: DIMENSIONS IN MM		
	TOLERANCES :		
	X.X	±0.20	ANGULAR : ±1°
	X.XX	±0.10	FILLETS R/C : ±0.10
	X.XXX	±0.01	SURFACE FINISH : Ra 1.6
			DEBURR AND BREAK SHARP EDGES
		NAME	DATE
		SIGNATURE	
	DRAWN	X.C.W	04/21/2022
CHK'D	H.Z.Y	04/21/2022	
APPV'D	H.Z.Y	04/21/2022	
MFG			
PROJECTION		SIZE	SCALE
		A3	8:1

38 Hengtong Road, Xinqu Dingmao
Zhenjiang, 212009, Jiangsu, P. R. China

<p>TITLE</p> <h2 style="margin: 0;">4.3-10/7-16-KK</h2>	
<p>DWG No. GCPZ3.640.N.004</p>	<p>REV. A</p>
<p>DO NOT SCALE THE DRAWING</p>	
<p>PAGE 1 / 1</p>	