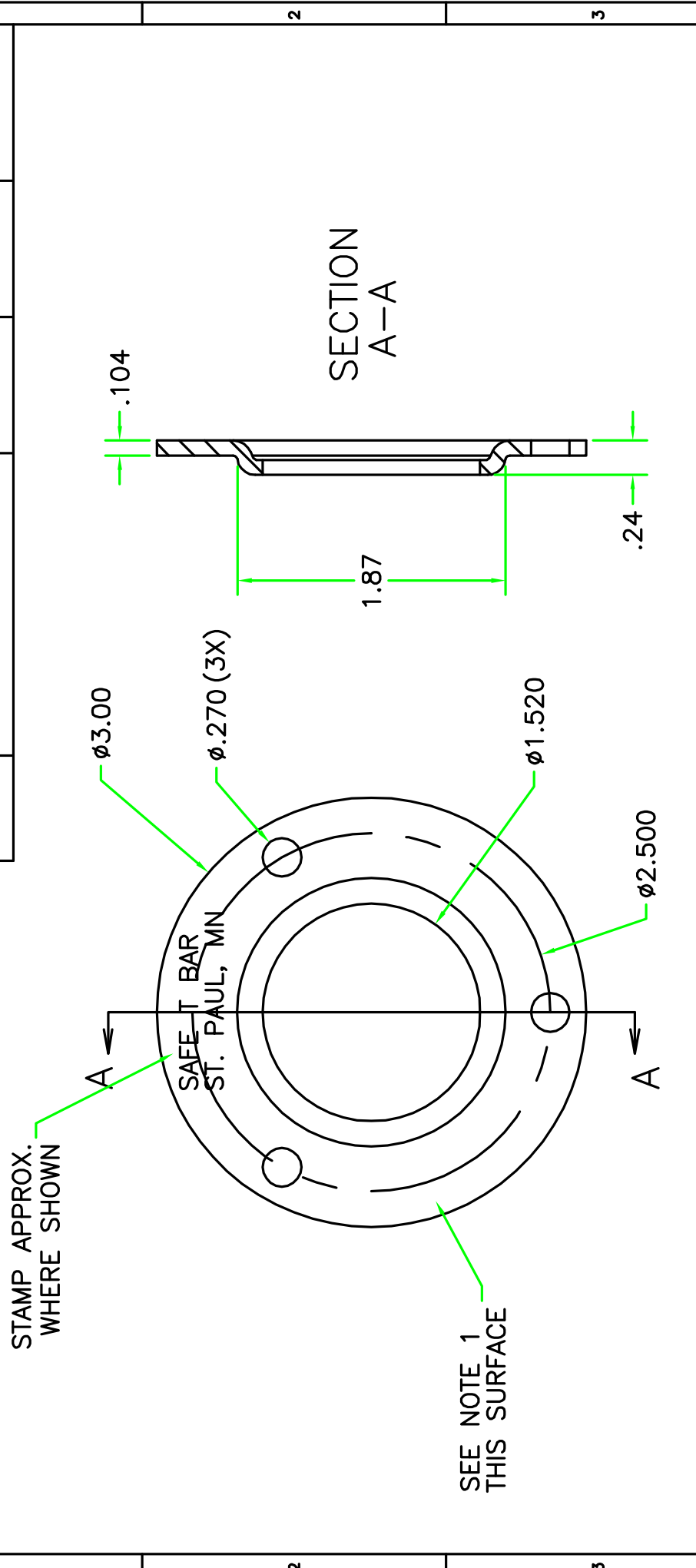


REV	DESCRIPTION	DWN	CKD	DATE
-	---	---	---	---
-	---	---	---	---



SAFE T BAR

NOTES:
 1. APPEARANCE PART, NO DEEP SCRATCHES OR TOOL MARKS

DRAWN IN INCHES	DRAWN FOR: SAFE T BAR	wo#
MATERIAL: SST 304 2B	TITLE: 3 HOLE WASHER	
FINISH: NONE	TOLERANCE UNLESS OTHERWISE SPECIFIED .XX: ±.03 .XXX: ±.015 ANGULAR: T	
	DO NOT SCALE DRAWING	DRAWING NUMBER: 3 HOLE WASHER
	DRAFTER: JOHN EINHORN	DATE: 11-11-09
	CHECKED:	DATE:
		SHEET 1 OF 1