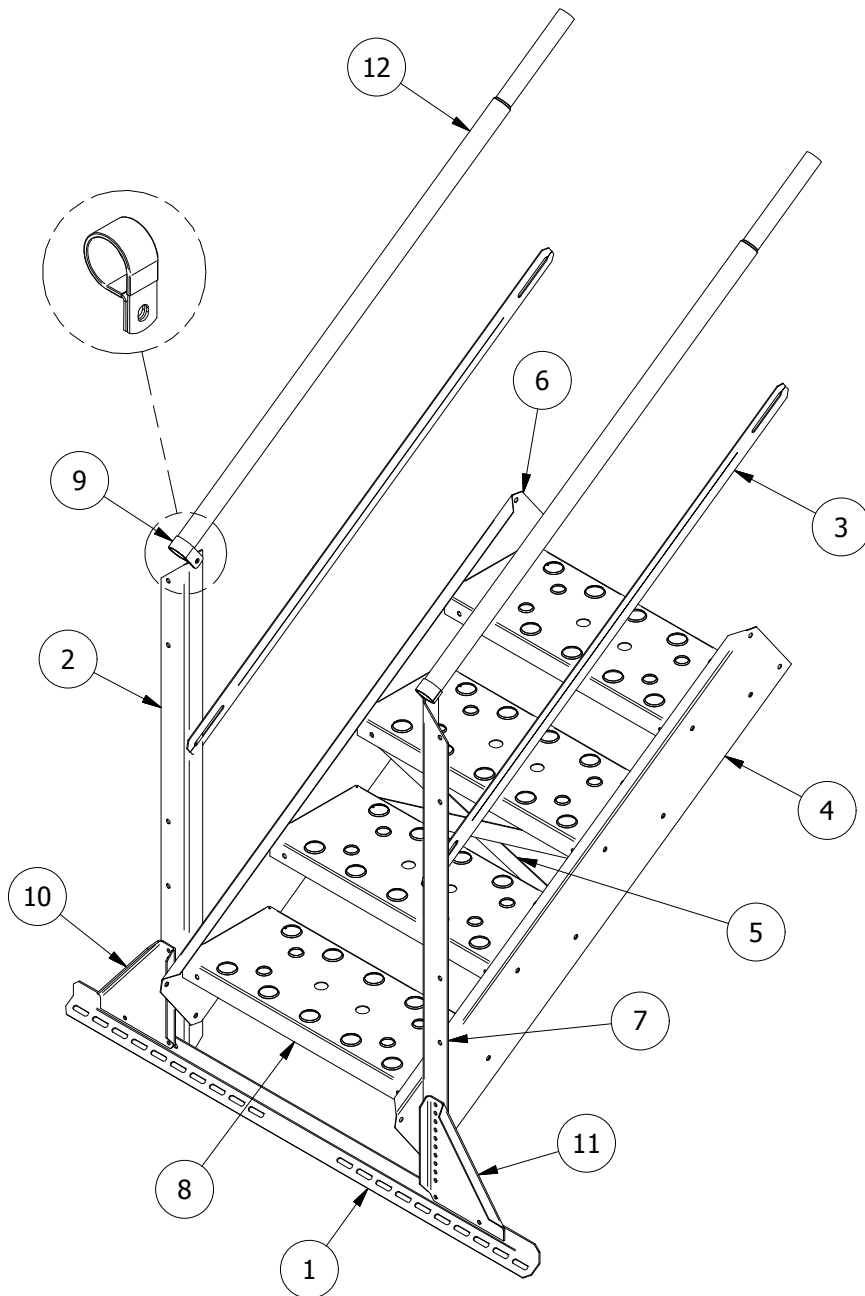
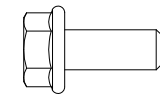


IN-ES50008



PARTS LIST - ES5400

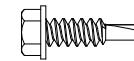
ITEM	QTY	PART NUMBER	DESCRIPTION
1	1	ES-5015	Easy Step Roof Stair Mount
2	1	ES-5018	Easy Step Roof Stair Post Left
3	2	ES-5023	4 Step Easy Step Roof Int Handrail
4	1	ES-5001	4 Step Easy Step Right Siderail
5	2	ES-5014	Easy Step Roof Stair Step Tie
6	1	ES-5002	4 Step Easy Step Left Siderail
7	1	ES-5017	Easy Step Roof Stair Post Right
8	5	ES-0006	Easy Step Stair Step
9	2	HRC1500	Handrail Clamp for 1.5 in
10	1	ES-5011	Post Brace Left
11	1	ES-5012	Post Brace Right
12	2	TR1504908	49 in 1.5 Swaged Tubing



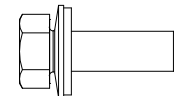
5/16-18 x 3/4
Flange Bolt



5/16-18 Whiz
Lock Nut



#12-14 x 3/4
Screw

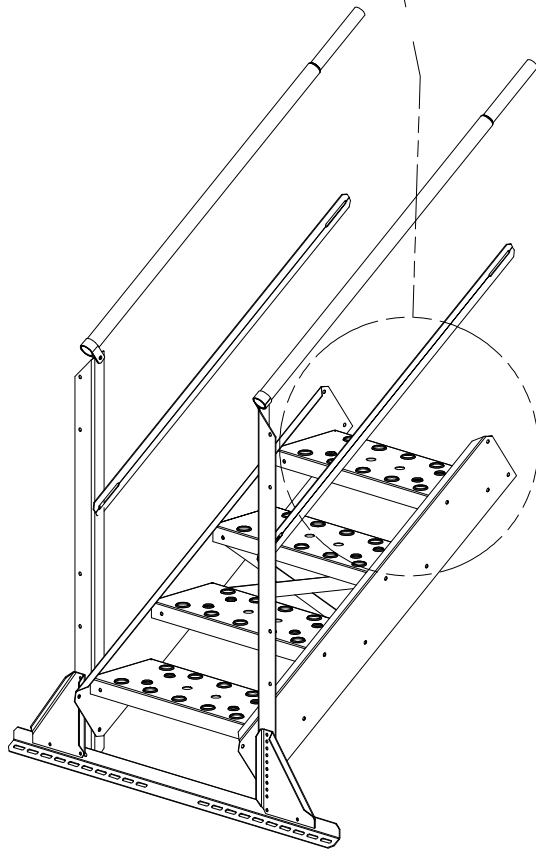
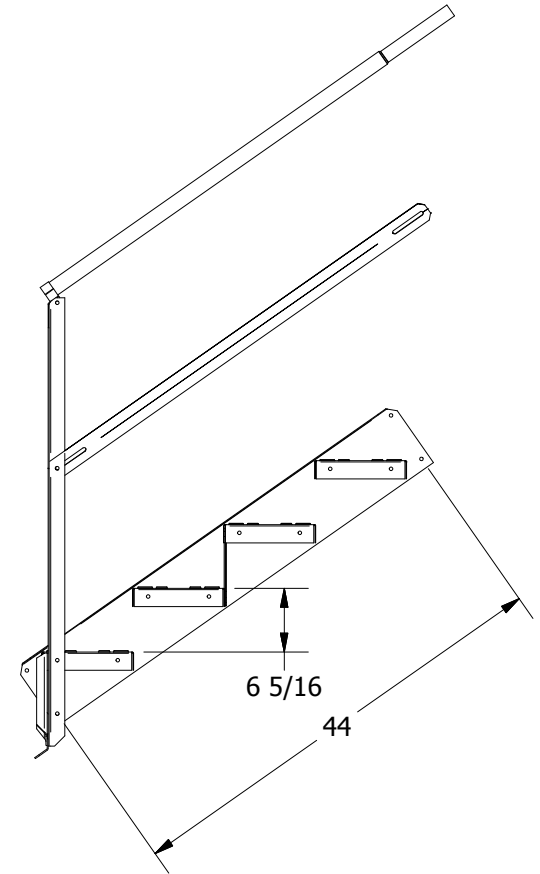
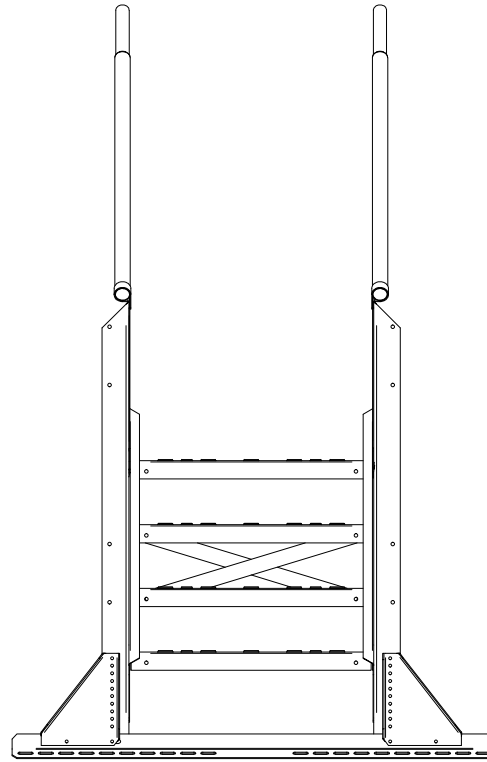
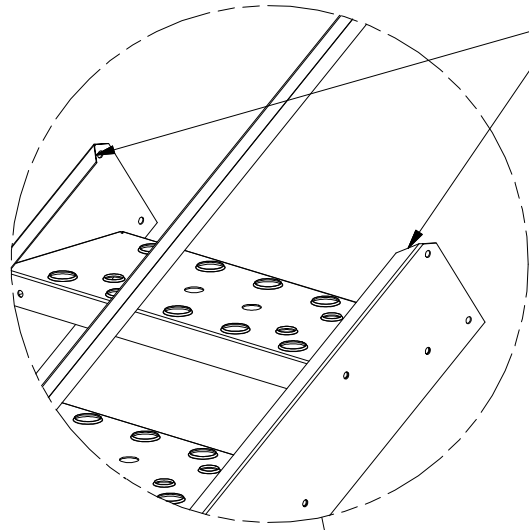


5/16-18 x 1
Bin Bolt



DRAWN Bill Huff	12/9/2016	Greene Galvanized Stairs	
CHECKED		TITLE	
QA		4 Step Easy Step Roof Stair	
MFG		SIZE A	DWG NO ES5400
APPROVED		SCALE	REV 1
		SHEET 1 OF 2	

Note:
Siderail Flanges Must Be Facing Up



GREENE
GALVANIZED STAIRS

DRAWN Bill Huff	12/9/2016	Greene Galvanized Stairs	
CHECKED		TITLE	
QA		4 Step Easy Step Roof Stair	
MFG		SIZE A	DWG NO ES5400
APPROVED		SCALE	REV 1
		SHEET 2 OF 2	