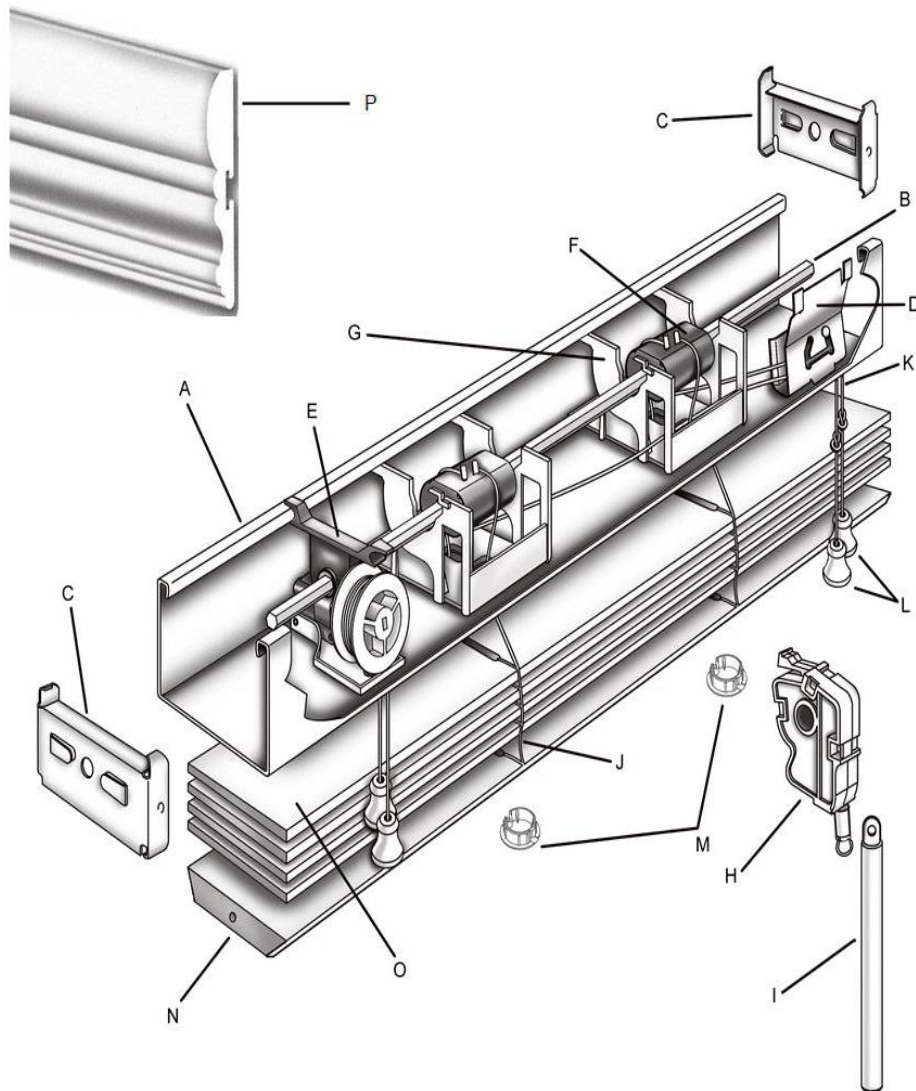


Sundance

Horizontal Blinds Specs Sheet.



- A**-2 X 2 STEEL HEAD RAIL
- B**- STEEL SQUARE TILT ROD
- C**- END RAIL STIFFENER
- D**- CORD LOCK MECHANISM
- E**- CORD TILTER MECHANISM
- F**- TAPE DRUMS
- G**- TAPE DRUM SUPPORTS
- H**- WAND CONTROL MECHANISM
- I**- WAND (WOOD OR FAUX WOOD)
- J**- POLYESTER BRAIDED LADDER 44 MM.
- K**- POLYESTER BRAIDED 1.8 CORD.
- L**- TASSELS (WOOD OR FAUXWOOD)
- M**-BOTTOM RAIL PLASTICK PLUGS
- N**-BOTTOM RAIL (WOOD OR FAUXWOOD)
- O**- SLATS 2" OR 2 1/2" (WOOD OR FAUX WOOD)
- P**- CROWN MOLDING VALANCE.