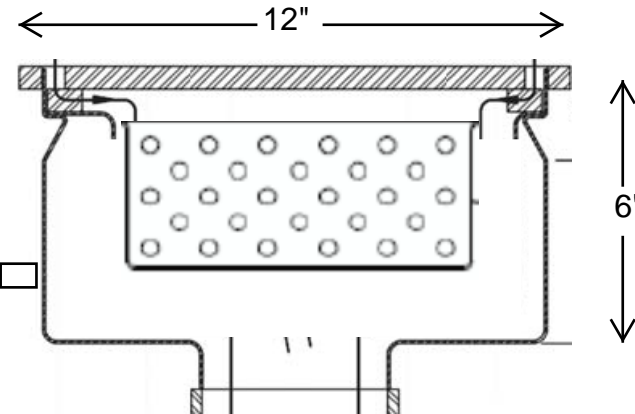


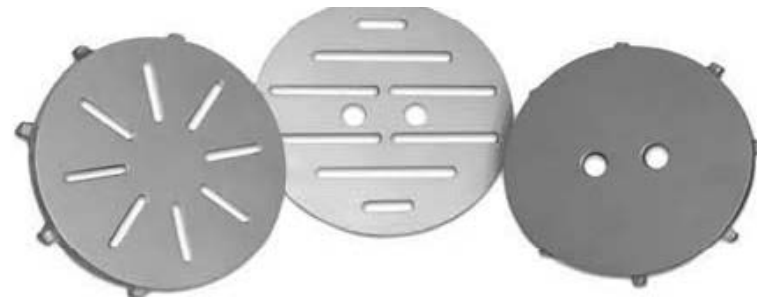
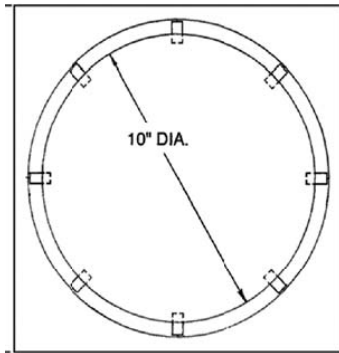
WICKETTS STAINLESS SPECIFICATION

WFD-12- PDG-FB
12" Heavy Duty Floor Drain



Optional Trap Primer Connection.

OUTLET 3"; 4" ; 6"



Engineering Specification: Construction Of 304 Stainless Steel Body Fully Welded; Rated For Heavy Equipment #10,000; Variety of Drainage Covers; !! Sediment Basket. * CONFORMS TO ASME A112.19.3

WICKETTS STAINLESS, INC
2618 San Miguel Dr. Bldg. # 376
Newport Beach, CA 92660
T. 951-858-2548
F. 951-858-2548
sales@wickettsstainless.com
www.wickettsstainless.com



Approved for Manufacturing
Company: _____
Signature: _____