

Undercounter Freezers



Model	Size
UFX27	27" Unit
UFX48	48" Unit

STANDARD FEATURES

- Stainless steel interior and exterior, aluminum back. Option of bright white aluminum interior available.
- Freezer system keeps food at safe temperatures between -8°F and 0°F
- Self-Closing solid doors with locks and keys.
- Shelves: Adjustable heavy-duty PVC coated shelves.
- Option of different handles & control panels available.
- Electronic control system makes it easy to adjust temperature set point and defrost frequency
- Pre-installed heavy-duty casters with brakes
- Removable installation board makes it easy to access condenser coil for cleaning and service
- These units use HYDRO-CARBON R290 refrigerant which is environmentally friendly and more efficient than R134a/R404a refrigerant

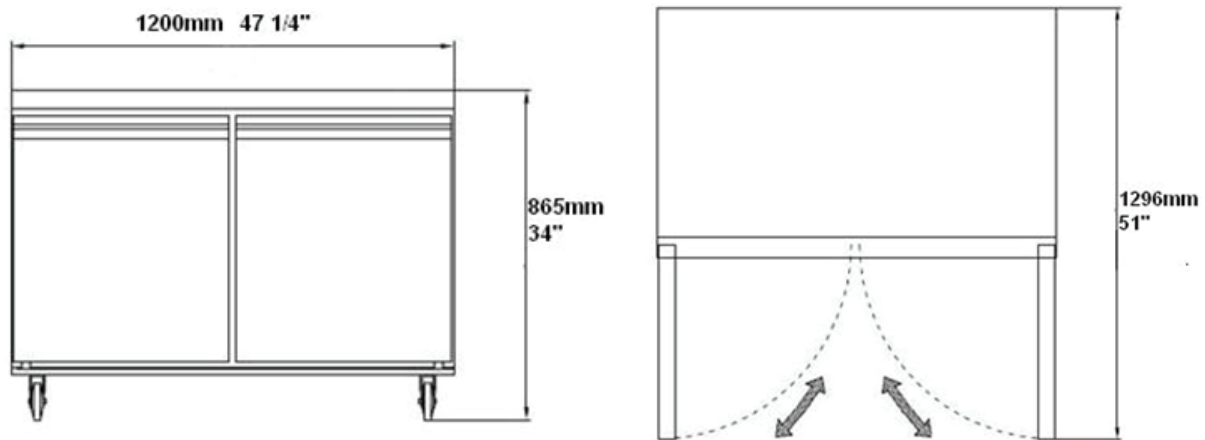
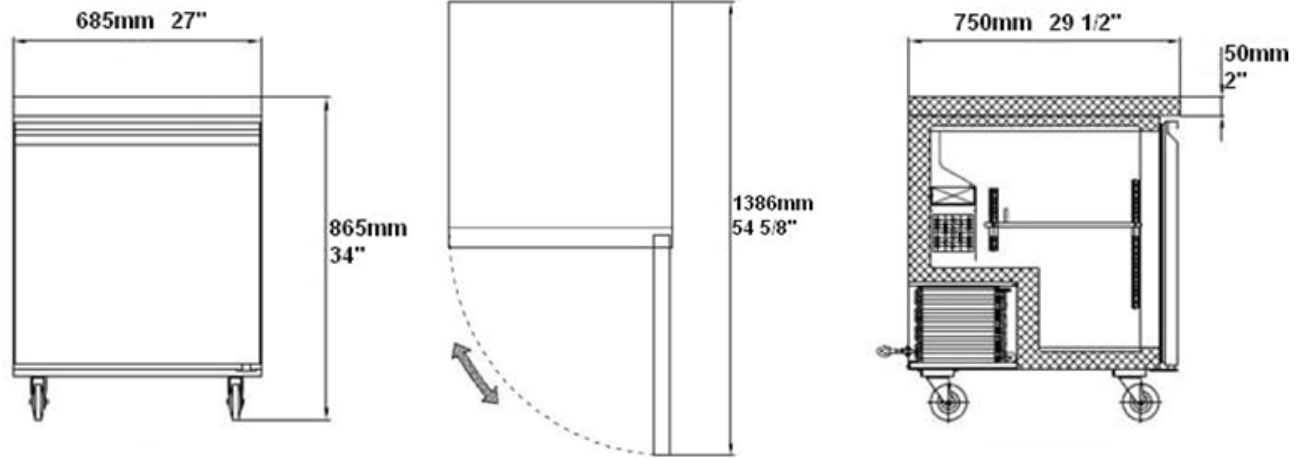
Items	Description	Items	Description
Front, top & sides	Stainless steel	Temperature control	Solid state thermostat/Digital display
Doors	Stainless steel / ABS liner	Approvals	UL-EPH
External back	Aluminum	Refrigerating system	Capillary tube
Cabinet interior	ABS	Refrigerant	R290A
Interior floor	Stainless steel	Temperature range	-8°F to 0°F
Insulation	Polyurethane (CFC free)	Evaporator	Powder coated aluminum/copper
Shelves	Heavy duty, PVC coating	Condensing unit	Rear mounted

FREEZERS





DETAILS AND DIMENSIONS



Model	Doors	Capacity (cu.ft)	Shelves	Cabinet Dim (inches)			HP	Voltage	Amps	NEMA Plug	Cord Length	Crated Weight
				L	D	H						
UFX27	1	6.5	1	27	29.5	35.2	1/6	115/60/1	1.9	5-15P	10	?
UFX48	2	12	2	47.2	29.5	35.2	1/5	115/60/1	2.7	5-15P	10	?