

worse accompanied by a choking feeling and nausea. Other effects are a burning sensation in the eyes and excessive tearing. Heavy exposure may also cause a burning sensation on exposed skin. It is nearly impossible to accomplish any task in the presence of this material and a person's primary concern is to get away.

If you happen to be in an area where a Burglar Bomb is discharging, DON'T PANIC – DON'T RUN – SLOWLY MOVE TO THE NEAREST EXIT.

CLEARING OC PEPPER AFTER DISCHARGE

Ventilate the affected area with outside air for a full air exchange. Use a fan if necessary. Remaining aerosol normally clears in three to four hours. No cleanup is required since any residue is likely to be so slight as to be undetectable. Normal household cleaning procedures may be used as desired. Avoid sweeping.

TREATMENT FOR EXPOSURE

For light or indirect exposure, simply move to an unaffected location. The effects should subside and disappear within 30 to 45 minutes.

For heavy exposure affecting the eyes, flush with cool clear water. Remove contact lenses. For heavy skin exposure, remove saturated clothing, and wash the affected area with nonoily soap and water. Baby shampoo works well. Shower at your earliest convenience. If symptoms persist see a physician.

Note: Allergy sufferers may have extra sensitivity to OC.

LIMITED WARRANTY

This warranty is exclusive and in lieu of all other warranties whether expressed, implied or statutory. Revel Technology, Inc., dba Burglar Bomb, hereafter referred to as Revel, warrants its products for one year from date of shipment.

Revel, in these instructions and all advertising and descriptive literature, has attempted in good faith to accurately explain the operation, capabilities and limitations of its products. Decisions concerning suitability and safety for use of its products in any particular application are the responsibility of the purchaser.

Revel's liability, arising out of the supplying of such products, or their use, whether on warranties, due to negligence or otherwise, shall not in any case exceed the cost of correcting such defects, or replacing such defective product with the same, or similar, product of equal or greater value which is being manufactured at the time replacement is made.

Revel shall not be liable for any product which has been modified, abused, or mis-used physically or electrically. In no event shall Revel be liable for consequential damages, nor for any amount in excess of the net price of the products found to be defective or not in conformance with applicable specifications.

With respect to products found to be defective or not in conformity with applicable specifications, the products will be repaired or replaced and shipped back at Revel's expense.

Revel Technology, Inc.
dba Burglar Bomb
832 West 1st Street Birdsboro, PA 19508
(610) 582-1730
www.burglarbomb.com email: info@burglarbomb.com

BURGLAR BOMB AB-2000 ANTIBURGLARY DEVICE INSTALLATION AND OPERATING INSTRUCTIONS

WARNING

1. For safe and reliable operation read all instructions fully before installing.
2. Do not install the Burglar Bomb in areas where infants or physically handicapped people are normally present.
3. Do not install in buildings where multiple tenants share a common ventilation system.
4. Do not install in aircraft or in passenger compartments of motor vehicles.

DESCRIPTION OF OPERATION

The Burglar Bomb is a 4 oz. charge of pepper spray in an armored cast aluminum housing that is actuated when a 1 to 2 lb. tension is applied to the black nylon trigger line. This line pulls the stainless steel trigger bar from the base of the unit causing the aerosol can to spray upward. Total discharge is complete in about 20 seconds. The Burglar Bomb can be effective for up to 16,000 cubic feet (2000 square feet) of unobstructed enclosed space. Higher concentrations and faster dispersion will occur in smaller rooms giving a higher level of protection. For large areas consider multiple units. The Burglar Bomb is intended for indoor use. Operation may be impaired by rain, moisture, and wind.

APPLICATIONS

The Burglar Bomb is ideal for use in the following areas:

Residences	Hunting Lodges	Warehouses
Vacation Homes	Truck Cargoes	Farms
Business Offices	Storage Sheds	Garages
Retail Shops	Barns	Boats

The Burglar Bomb can be rigged directly to such things as antiques, computers, TV's, DVR's, safes, file cabinets, windows, doors, garage doors, and cellar doors.

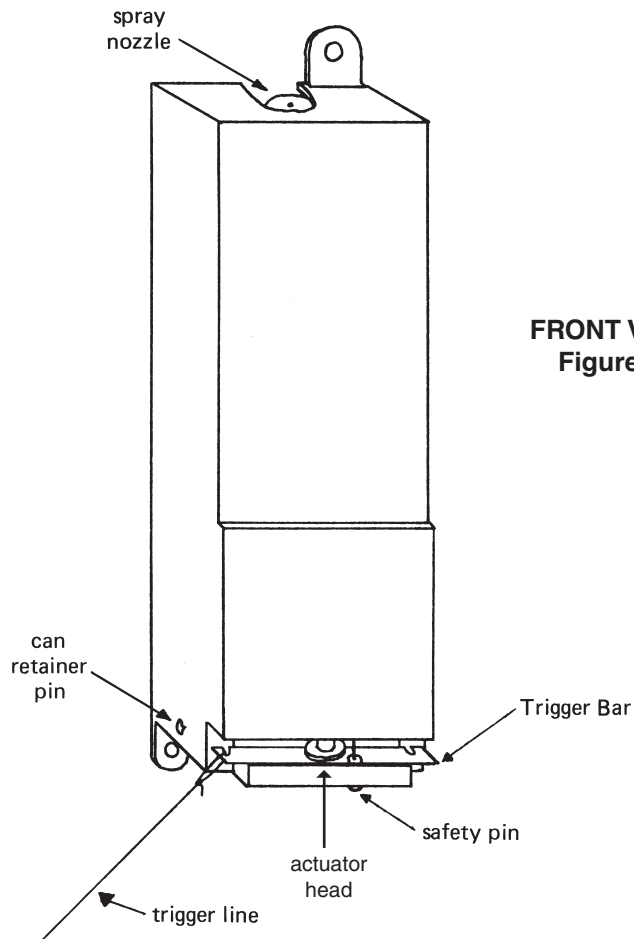
INSTALLATION

The Burglar Bomb is shipped with a protective cap on the spray can. This cap should be left on until you are ready to load the unit. The Burglar Bomb is packaged with the can inside. **The can should be removed from the housing prior to installation.**

To protect a room the Burglar Bomb should be mounted low on the wall in a vertical position high enough off the floor to allow insertion of the aerosol can. Screws are provided for mounting the Burglar Bomb on a wood surface. Other surfaces may require the use of molly bolts or lead or plastic anchors. The screw hook should be installed on the other side of the room at about the same height. The black nylon trigger line is then installed between the screw hook and the trigger bar. The Burglar Bomb and screw hook should be located so that the intruder's likely path will bring him directly against the trigger line. A loop should be tied in both ends of the trigger line to simplify setting and unsetting. The loops should be adjusted so that the line is snug (no noticeable sag). The loop at the Burglar Bomb end of the unit can be slipped into either the right or left trigger bar notch as shown

in Figure A. Before inserting the aerosol can you should check your installation by connecting the trigger line and removing the safety pin. The trigger bar should remain fully inserted. If the trigger bar tends to slide outward, then the trigger line is too tight and should be loosened. Before installing the can you may test the installation by walking through the trigger line. The trigger bar should pull free of the Burglar Bomb. To reset, hold the trigger bar as shown in Figure A. Using a screwdriver, key or other similar object, push up on the actuator head from below until the trigger bar can be slipped under it. Adjust the trigger bar to a centered position and insert the safety pin.

After finishing installation and testing, the aerosol can may be installed. Note: while working with the can be careful not to press on the spray nozzle tab since that will release some contents. Note also that the aerosol can must be oriented properly within the Burglar Bomb housing as shown in Figure B. The end of the actuator wire must be centered over the nozzle tab. At this time remove the shipping cap and install the aerosol can observing the proper orientation.



FRONT VIEW
Figure A

Insert the can retainer pin through the small hole in the side of the casing. The pin passes under the bottom of the can and keeps the can in place. The can retainer pin and safety pin are identical in size and shape.

The installation described above may be modified as desired. For example the trigger line may be connected to specific doors or windows or tied to a specific item so that the can is discharged only when someone tries to move that item. Additionally a second trigger line may be attached to the other end of the trigger bar going in another direction to control another area or item. Note: Multiple trigger lines should not be run in opposite directions since tension on one line may be cancelled by tension in the other line. Multiple line installations should be tested as described above after first removing the can.

Trigger line direction changes may be made by using a screw eye. No more than one direction change is recommended. Trigger line lengths in excess of 16 feet should be avoided.

For special requirements tilting the Burglar Bomb up to 45° from the vertical is permissible and should still give satisfactory results.

HELPFUL HINTS

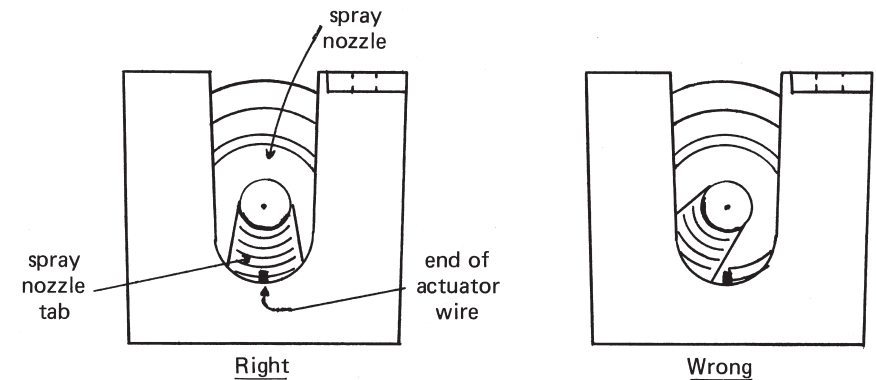
1. If you desire a lighter trigger force put a little grease on the trigger bar.
2. In applications where vibrations may cause the can to rotate out of position, place a piece of tape across the bottom of the can and can retainer pin.

RESETTING

When a Burglar Bomb has been discharged the aerosol can must be replaced before the unit can be reused. Replacement cans are available from Burglar Bomb. Do not use anything other than a Burglar Bomb AB-2000 replacement can since poor performance and damage to furnishings could result.

ABOUT OC PEPPER

Oleoresin capsicum (OC) is a natural nontoxic food additive derived from hot peppers. It is also an inflammatory agent. In aerosol form, even in light concentrations, it will cause uncontrollable coughing. In higher concentrations the coughing is



AEROSOL CAN ORIENTATION
Top View
Figure B