

XDIwin-F1

HAZARDOUS AREA GAS DETECTOR

Remote Fixed Gas Detection offering local control and display

Specification Sheet
ref C759C v2

- Explosion proof
- Rugged and reliable
- 3 alarm points
- CANbus 4~20mA outputs
- Wide range of gas types / sensors
- Non intrusive adjustment magnets
- Back lit alpha numeric full status display
- Addressable or stand alone
- Hyper terminal communications / RS232 - live data and set up with 232 adapter
- One man calibration
- 2 alarm relays plus fault relay or 3 alarm relays
- Data logging



The XDIwin-F1 Gas Sensor is capable of utilising a wide range of sensor cell types offering an unmatched number of gases that may be monitored. Standard 4~20mA signaling with CANbus address enables the sensors to be networked via the S4S Combi control system or customer preferred monitoring systems.

Certification

- Explosion proof ATEX IECEx
- 112G Exd IIC T6-T3 Gb
- 112D Extb IIIC T85°C Db

Power Supply

15 to 30vDC 24v nominal

Outputs

- 3 wire 4~20mA / 4 wire CANbus
- Relays
 - Low alarm S.P.C.O
 - High alarm S.P.C.O
 - Fault alarm S.P.C.O
 - Rating 0.5A @30vDC
 - Inhibit option during servicing

Logging

- Intervals - variable time
- Roll over/stop
- Storage - 2,880 readings

Display

- 2 line alpha numeric back lit status display: gas type, concentrating units, alarm levels, alarm status, low/high/over range), sensor ID, inhibit

Indicators

Alarm - Red LED
 Fault - Amber LED (flashing when in inhibit)

Housing Material

Copper free aluminium alloy, optional stainless steel

Finish

Chemical resistant epoxy paint
 Optional - Marine grade finish
 Sensor material - Stainless Steel 316516

Ingress Protection

IP63 + water shield IP64

Cable Entry

2 x M20 - 1.5 pitch - alternatives 25mm - 3/4 NPT

Weight

1.6kg

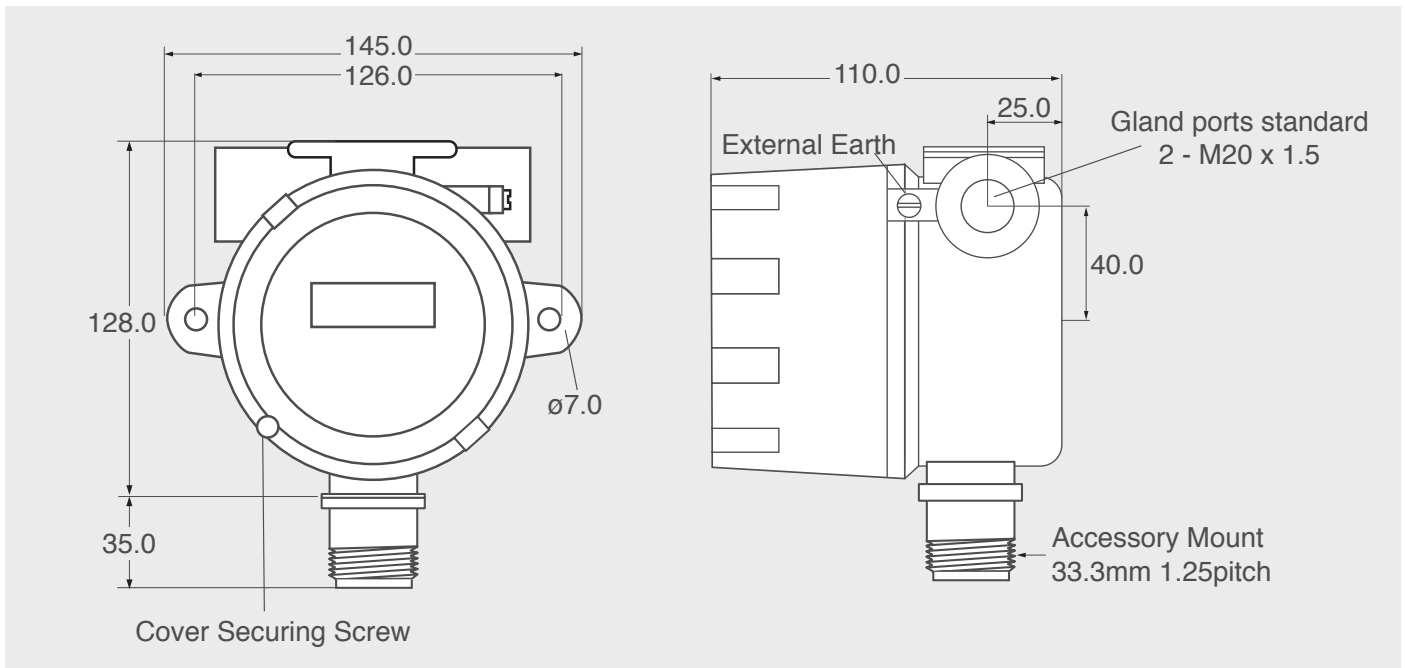
Temperature

-15°C to +55°C - safe area use

For hazardous area use see temperature ranges on C1227 (Ex certification summary)

Humidity

0 to 99% RH non-condensing



Sensor Type

Infra Red, Electrochemical, Catalytic,
Semiconductor, PID

Gas Type / Range

Flammable gases - LEL / %Vol
Toxic gases - ppm/ppb
Oxygen % vol

Accessories

003-010	Collector Cone & Universal Fitting
003-020	Universal fitting (Test Gas Applicator/ Spray Deflector)
003-035	Water Shield - stainless steel
008-311	Flow Block - nylatron
008-310	Flow Block - stainless steel
003-090	Duct Mount Kit
003-083	Detector Head Weather Shield
003-130	F1 Sensor Thermal Jacket