
CAREY AUTOMATIC DOOR, LLC

Pneumatic Door Operator Equipment

35 Forest Road
Southbury, CT 06488
Tel.: (203) 267-4278
Fax: (203) 267-4292
Web: www.careydoor.com
Email: sales@careydoor.com

ELECTRO-PNEUMATIC DOOR OPERATOR

(Formerly known as Stanley Pneumatic Door Operator)

Carey Automatic Door, LLC manufactures heavy-duty electro-pneumatic door operators which are ideal for swinging and sliding door panels that require industrial strength performance. Proven track record since 1930 – the world’s first pneumatic door operator! Please see attached description and customers served.

Considered the most reliable, durable and cost-effective Automatic Door Operator in the industry for over 80 years!

Please use one form per set of doors:

1. Is this a new installation or retrofit to an existing door? _____
2. Single door or pair of doors? _____
 - a. Width, Height & Thickness of Doors _____
 - b. Weight and Type of Doors _____
 - c. Fire Door Application? _____
 - d. Are doors in place? _____
3. If **Swing Door**:
 - a. IN/PULL or OUT/PUSH application: _____



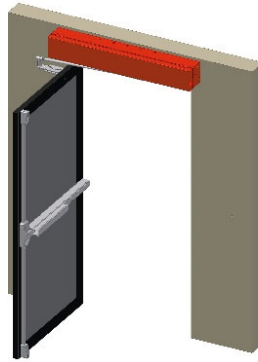
IN/PULL
(doors swing under Operators)



OUT/PUSH
(doors swing away from Operators)

b. Right Hand or Left Hand swing for single door: _____

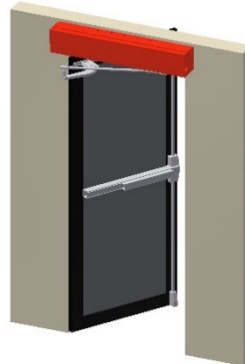
RH Operator
(clockwise swinging doors)



LH Operator
(counter-clockwise swinging doors)

IN/PULL APPLICATION

LH Operator
(counter-clockwise swinging doors)



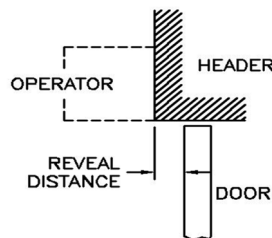
RH Operator
(clockwise swinging doors)

OUT/PUSH APPLICATION

c. Side Clearance _____
Distance required between jamb and side wall for door bracket.

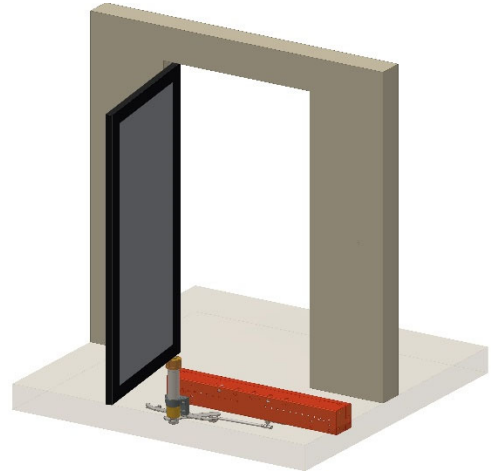
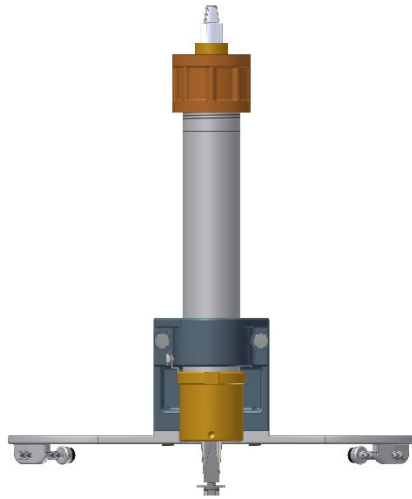
d. Height Clearance: top of door to ceiling or obstruction _____

e. Reveal Distance _____
Distance from back of operator case to inside surface of door in closed position. Varies with door thickness and hanging.

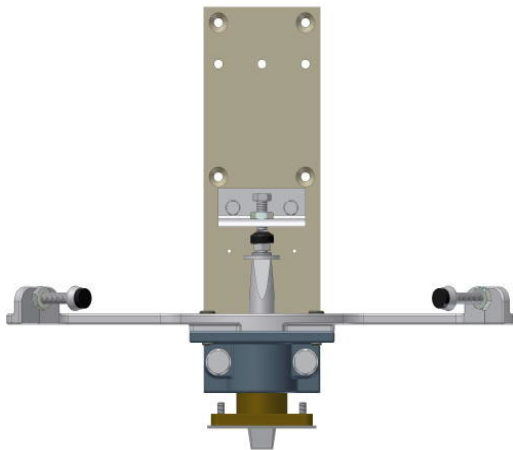


f. Hinge hung, swing clear, center pivot or offset pivot hinges? _____

4. If **Magic Mole Pivots (Concealed under Floor)** are required:
- a. Floor thickness for shaft length _____
 - b. If doors are not in place, will Carey Top Pivot be required? _____



5. If **Magic Star Pivots (Concealed Overhead)** are required:
- a. Clearance door top to Operator top for shaft length _____



6. If **Slide Door**:
- a. Specify RH or LH Operators: _____
 RH operators if door opens toward the left when facing operators.
 LH operators if door opens toward the right when facing operators.
 - b. Height clearance: top of door to ceiling or obstruction _____
 - c. Pneumatic safety/reversing edge (recommended): _____

If Carey Slide Door Track and Hangers are required:

- d. Masonry opening width: _____
 - e. 4" lap present on each side of door: _____
 - f. Wall thickness to mount track: _____
 - g. Door gauge: _____
7. Access to central air supply or air compressor? _____
 To be furnished and installed by the General Contractor, Plumbing Contractor and/or Automatic Door Installer. Consult Carey representative for capacity recommendations.
8. Special considerations? _____
9. Timeframe for project? _____
10. Drawings or schematics available & attached? _____
11. Architectural specifications available & attached? _____
12. If not certified door installer, referral needed for installation? _____
13. If existing area, please forward pictures _____
14. How referred to Carey Automatic Door, LLC? _____

 Name

 Date

 Company

 Job Name & Door No.

 Address

 Fax Number

 Phone Number

 Email

Electro-Pneumatic Operators are ideal for:

Radiology & Oncology Departments, Industrial Buildings, Historical Buildings, Cathedrals, Airports, Universities, Government Buildings, Post Offices, Museums, Banks, Casinos, Institutions, Factories, Warehouses, Loading & Shipping Areas.

Please feel free to contact us at (203) 267-4278 if you should have any questions. Thank you for the opportunity to quote this job.

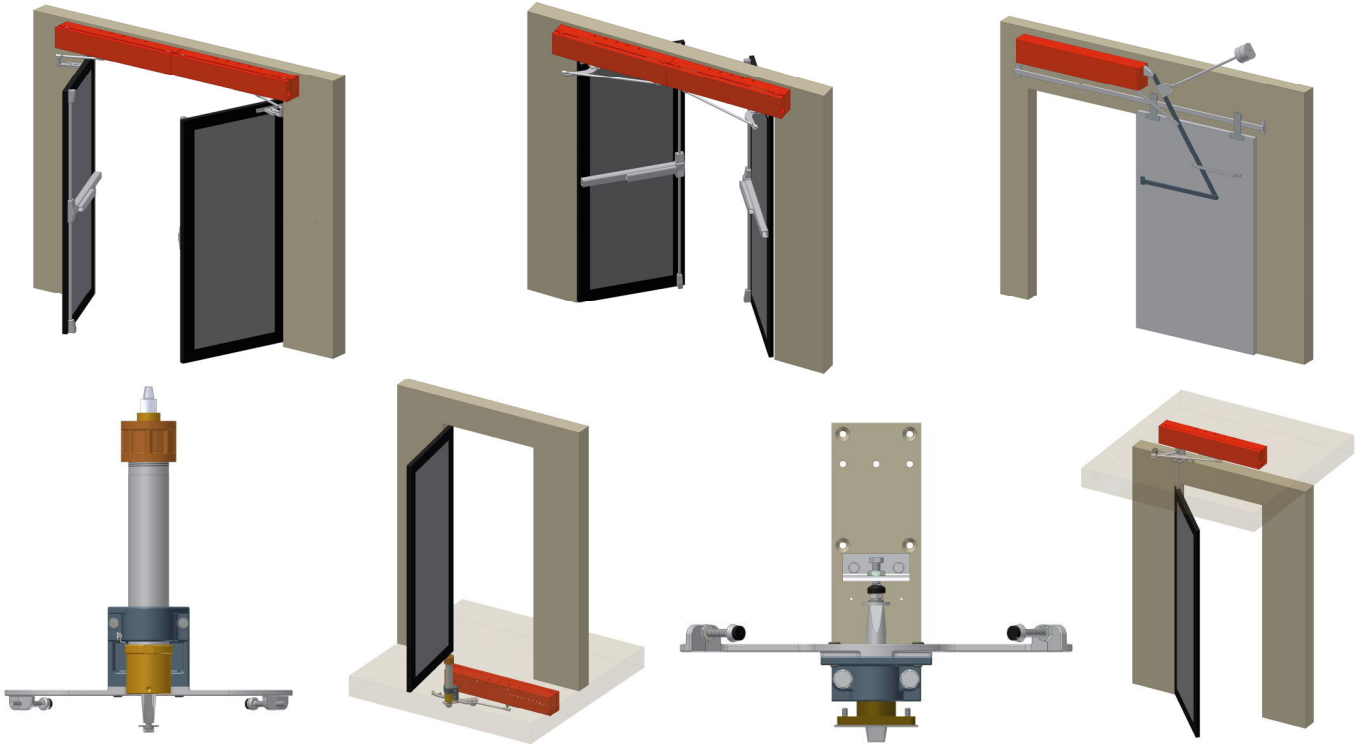
Virtually maintenance free for 20 – 30+ years!

Carey Automatic Door, LLC

(203) 267-4278

Electro-Pneumatic Door Operators

(Formerly known as STANLEY Pneumatic Door Operators)



Heavy-duty electro-pneumatic door operators are ideal for swinging and sliding door panels that require industrial strength performance. Proven track record since 1930 - the world's first pneumatic operator!

- Pneumatically controlled from central air supply.
- Operator cases, covers and slide rods fabricated from high grade stainless steel 300 series corrosion resistant material.
- Capable of opening heavy access swinging or sliding doors up to 5,000 lbs. per leaf. Power checking is available as an accessory for heavy doors.
- For locations where severe conditions are found such as strong winds, pressures or where fast operation is required.
- Operator capable of operating doors against wind velocities (and equivalent stack pressures) up to 40 miles per hour.
- Concealed operators available for under the floor applications with special Magic Mole Pivots & above the ceiling applications with special Magic Star Pivots.
- Long operating life and minimal maintenance. Both are achieved through simplicity of design, robust construction plus the use of few moving parts.
- For use with Fire Doors, Lead Lined Doors, Blast Resistant Doors, Hollow Metal Doors

Air power opening with spring closing (single acting) or power closing (double acting) depending on weight of swinging doors, or counterweights for sliding fire doors.

**Considered the most reliable, durable & cost effective
Automatic Door Operator in the industry since 1930!**

Virtually maintenance free for 20 - 30+ years!

www.careydoor.com

Carey Automatic Door, LLC

(203) 267-4278

Electro-Pneumatic Door Operator Applications

Single Swinging Doors:

0-1S Pneumatic Operator Packages. For use with single swinging doors in industrial applications. One operator designed to swing a single hinge hung door either IN/PULL or OUT/PUSH. Maximum door opening width is 72”.

Double Swinging Doors:

0-4S Pneumatic Operator Packages. For use with pairs of swinging doors that require complete speed control for varying conditions in industrial applications. Two operators coupled to operate a pair of doors swinging IN/PULL or OUT/PUSH. Maximum door opening width is 144”.

Swinging Fire Door Packages. An automatic fire door package is available and will interface with the single acting 14” stroke operator.

Single Sliding Doors:

0-7 Pneumatic Operator Packages. For use with single sliding doors in industrial applications. Available for labeled fire door applications. For doors that slide either Left or Right of the opening. Maximum door opening width is 96”.

07-D Pneumatic Operator Packages. For use with heavy single sliding doors in industrial applications. Available for labeled fire door applications. For doors that slide either Left or Right of the opening. Maximum door opening width is 144”.

Bi-Part Sliding Doors:

0-9 Pneumatic Operator Packages. For use with pairs of sliding doors in industrial applications. Available for labeled fire door applications. Maximum door opening width is 192”.

09-D Pneumatic Operator Packages. For use with pairs of heavy sliding doors in industrial applications. Not available for labeled fire door applications. Maximum door opening width is 288”.

Carey Automatic Door, LLC

(203) 267-4278

Pneumatic Door Operators - Customers Served Since 1930!

3M Company
Abbott Pharmaceuticals
Amgen, Inc.
Anagram International
Aspen Aerogels
AstraZeneca Pharmaceuticals
Becton Dickinson
Boehringer Ingelheim Corporation
Boeing
BP Exploration, Inc.
Bristol-Myers Squibb
Camp Lejeune Naval Hospital
Chicago O'Hare International Airport
Cleveland Clinic
CordenPharma (Hospira)
Corpus Christi Army Depot
Crane Army Ammunition Activity
Dow Chemical Company
DuPont, Inc.
Eastman Chemical Company
Estee Lauder
Federal Reserve Banks of Chicago, Cleveland & Richmond
Genzyme Biosurgery
Gilead Sciences
Goodrich Fuel & Utility Systems
Holy Name Cathedral
Indiana Michigan Power Company
IST Industrial Summit Technology
Kohler Corporation
Lockheed Martin Corporation
Los Alamos National Laboratory
Mallinckrodt Pharmaceuticals
Markem CIJ Manufacturing
Massachusetts Institute of Technology
Mayo Clinic
McAlester Army Ammunition Plant
Medtronic (Covidien)
National Institute of Environmental Health Sciences
Novartis Consumer Health
Ortho Clinical Diagnostics
Palisades Nuclear Power Plant
Patheon Pharmaceuticals
Philip Morris Company
PPG Aerospace
Raytheon Missile Systems
Regeneron Pharmaceuticals
Sandia National Laboratories
Sigma-Aldrich Corporation
Solvay
St. Jude Hospital
United Nations Headquarters
UPS
United States Post Offices
United States Treasury Departments
University of South Carolina, University of Virginia
VA Medical Centers
Woodward Governor Company
Wright Patterson Air Force Base
Xerox Corporation