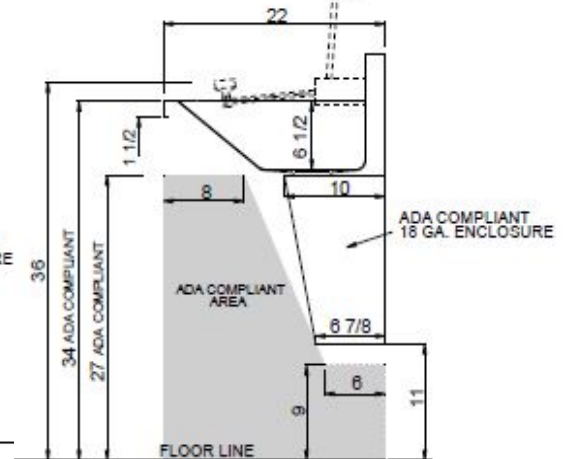
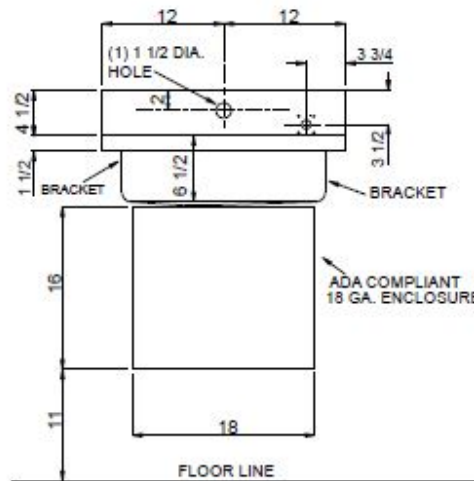
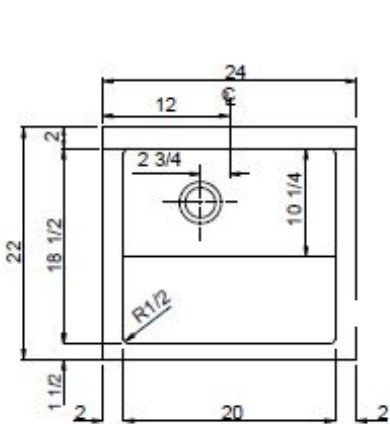
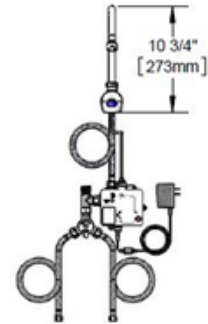


Wicketts Stainless SPECIFICATION

Commercial Pharmacy
ADA Wash Sink



Engineering Specification: ADA COMPLIANT WALL HUNG SINK; 16 GA. 304 SS WITH 18 GA. 304 SS ENCLOSURE; FULLY WELDED & GRIND AND POLISHED TO A # 4 SATIN FINISH; 1-1/2" BUILT IN GRID DRAIN. **SENSOR FAUCET (AC OR BATTERY) WITH MIXING VALVE; EMERGENCY EYE WASH NOT INCLUDED.**

WICKETTSSTAINLESSCUSTOMSINKS.COM

WARNING: Cancer and Reproductive Harm
www.P65Warnings.ca.gov

Wicketts Stainless, LLC.
825 S. Lakeview Ave, Ste C
Placentia, CA 92870
Tel: 951-858-2548
Fax: 951-638-9059
www.wickettsstainless.com
sales@wickettsstainless.com



Approved for Manufacturing
Company: _____
Signature: _____
Print: _____ Date: / /