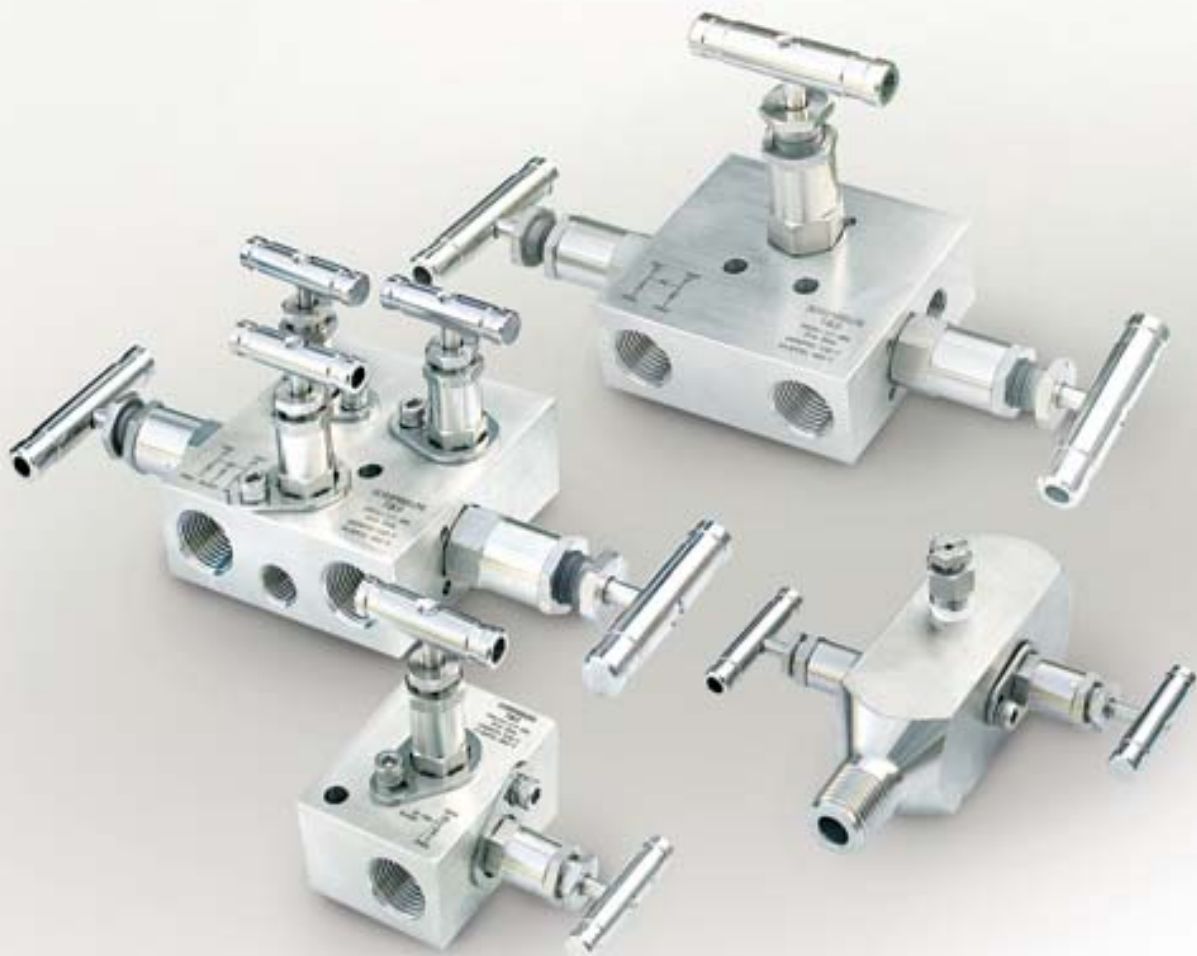
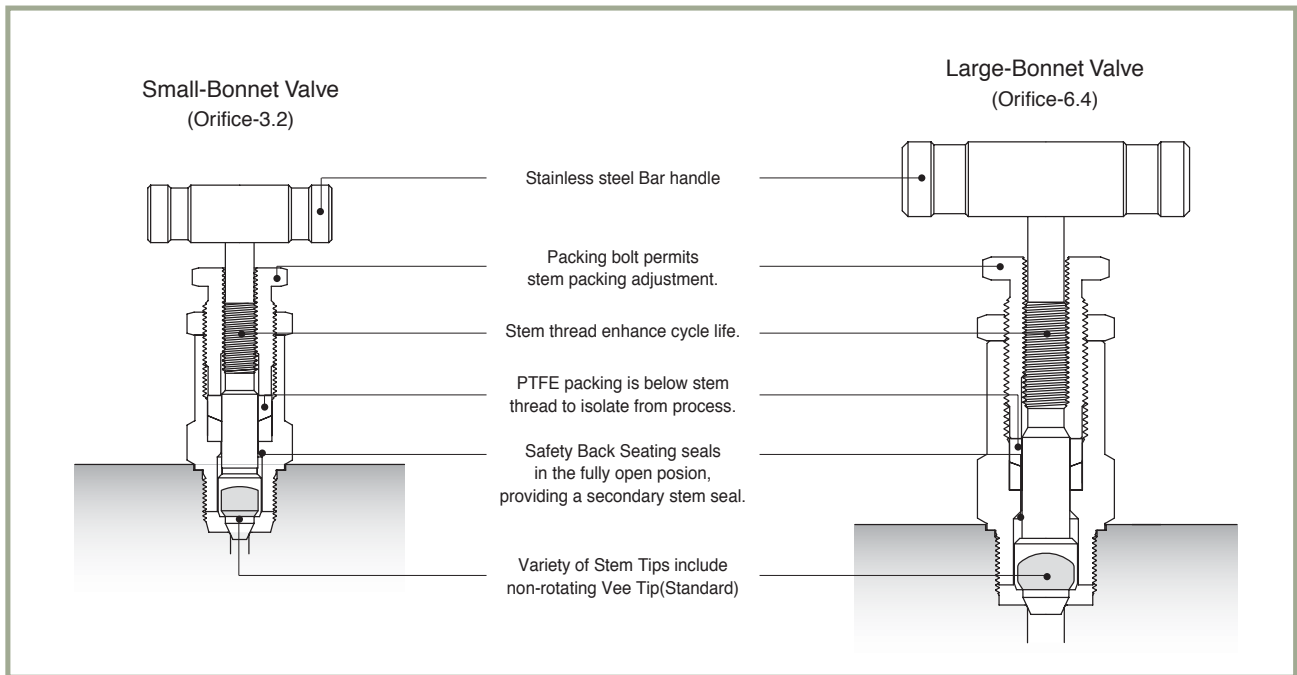




Instrument Manifolds

High Technology Valve & Fitting Series





Technical Data

Packing and Body Material

Packing Material	BodyMaterial	Temperature Rating	Pressure Rating @100 °F(37 °C)
PTFE	SS 316	-65 °F ~ 450°C (-53 °C ~ 232°C)	6000 PSIG
Grafoil(Optional)		-65 °F ~ 1200°F (-53 °C ~ 648°C)	

Pressure-Temperature Rating

Body Material	SS 316	
	Packing Material	Grafoil
PTFE	Working Pressure psig(bar)	
	-65 (-53) to 100(37)	6000 (413)
	200 (93)	5160 (355)
	250 (121)	4910 (338)
	300 (148)	4660 (321)
	350 (176)	4470 (307)
	400 (204)	4280 (294)
	450 (232)	4130 (284)
	500 (260)	-
	550 (287)	-
	600 (315)	-
	650 (343)	-
	700 (371)	-
	750 (398)	-
	800 (426)	-
	850 (454)	-
900 (482)	-	
950 (510)	-	
1000 (537)	-	
1050 (565)	-	
1100 (593)	-	
1150 (621)	-	
1200 (648)	-	

Orifice

3.2mm (0.125 in.)	2-Valve Manifolds Block, Bleed Valve 5-Valve Manifolds Equalizer, Bleed Valve
6.4mm (0.250 in.)	3-Valve Manifolds Block, Equalizer Valve 5-Valve Manifolds Block Valve

Features

- 2-,3-,and 5-valves Instrument manifolds valves.
- Pressure Rating up to 6000psig (413bar) @ 100 °F(37 °C)
- Temperature up to 1200°F(648 °C) with optional Grafoil packing
- All 316 stainless steel construction with PTFE packing.

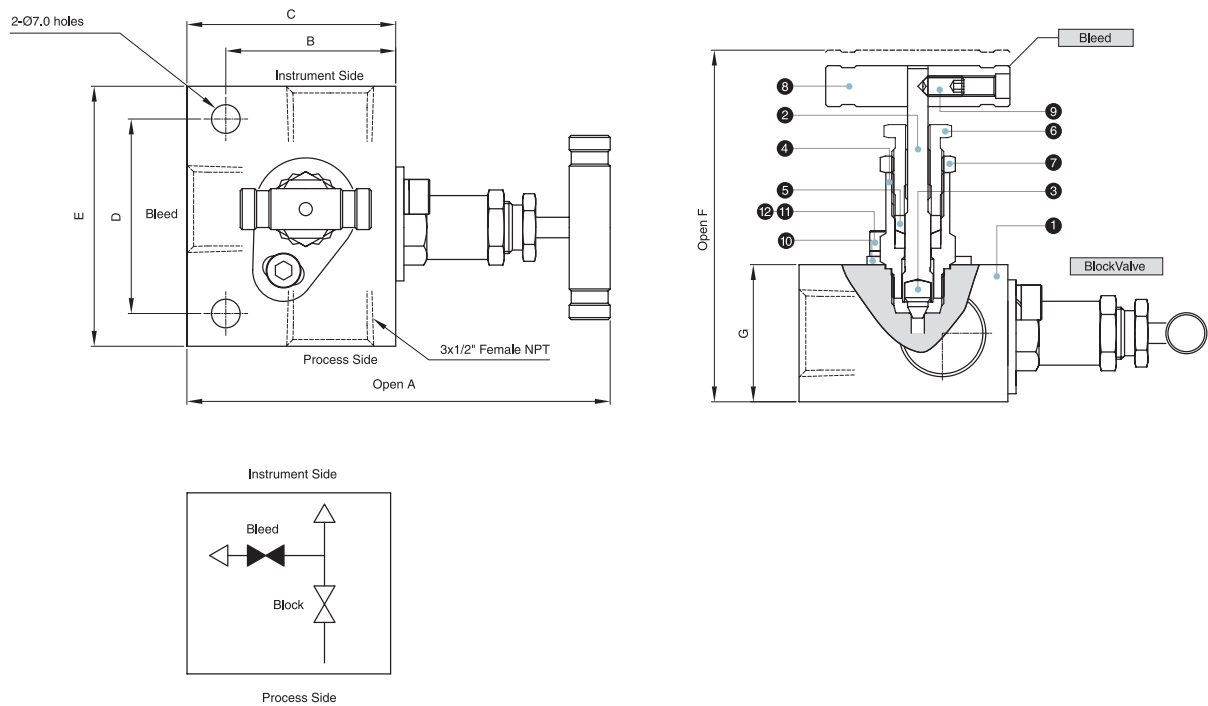
Testing

Each valve on every manifold is factory tested with nitrogen gas. The test is performed to a maximum allowable leak rate of 0.1scc/min.

* Note
450°F(232°C) with standard PTFE packing.
1200°F(648°C) with Optional Grafoil packing.

2-Valve Manifolds

Horizontal Style (Remote Mounting)



Material of Construction

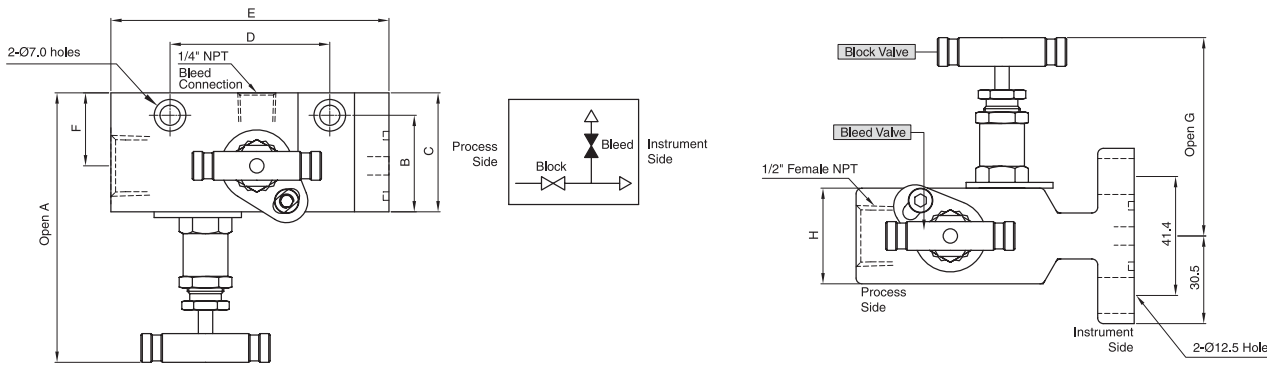
Component	Material Grade	Component	Material Grade
1 Body	SS316	7 Lock Nut	SS316
2 Stem	SS316	8 Handle	SS316
3 Vee Tip	SS316	9 Set Screw	Stainless Steel
4 Bonnet	SS316	10 Locking Plate	Stainless Steel
5 Packing	PTFE	11 Wrench Bolt	Stainless Steel
	Grafoil (optional)	12 Spring Washer	Stainless Steel
6 Packing Bolt	SS316	13	

Ordering No.	End Connections			Weight Dimensions (mm)						
	Process	Instrument	Bleed	A	B	C	D	E	F	G
SM2V-F-8N	1/2" Female NPT			103.5	41.5	51	47.5	63.5	85.9	33.5

* To order a manifold with optional Grafoil packing, add-G to the manifold ordering number.

2-Valve Manifolds

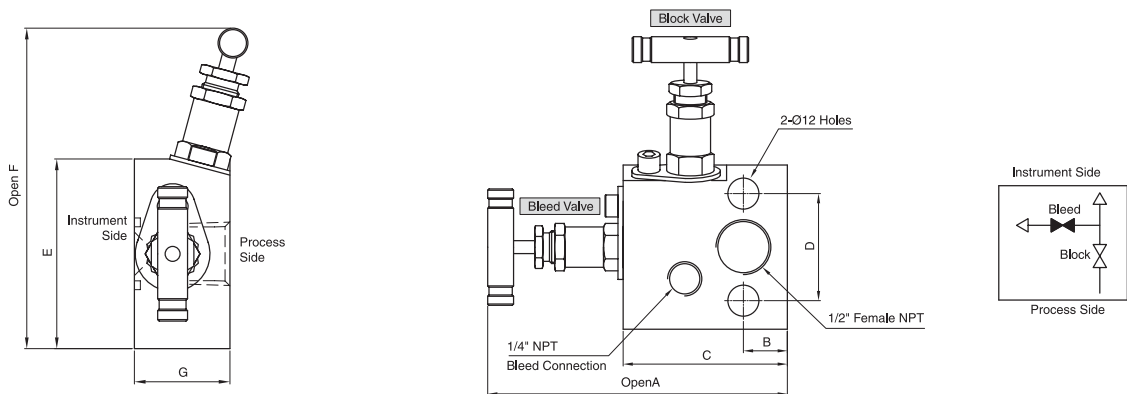
Horizontal Single Flange Style (Direct Mounting)



Ordering No.	End Connections			Weight Dimensions (mm)							
	Process	Instrument	Bleed	A	B	C	D	E	F	G	H
SM2VF-F-8N	1/2" Female NPT	Flange(MSS)	1/4" Female NPT	93.8	33.6	41.4	55.6	96.8	25.4	69.0	33.3

* To order a manifold with optional Grafoil packing, add-G to the manifold ordering number.

Vertical Style (Direct Mounting)

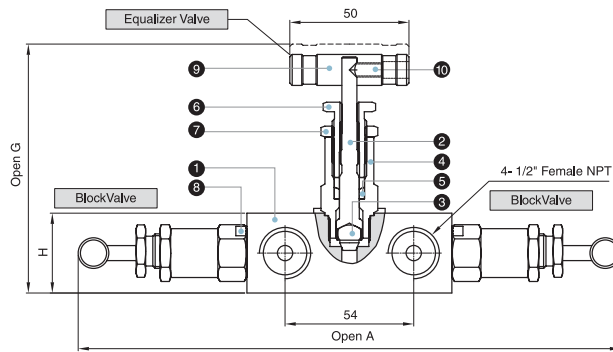
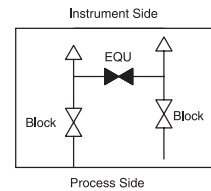
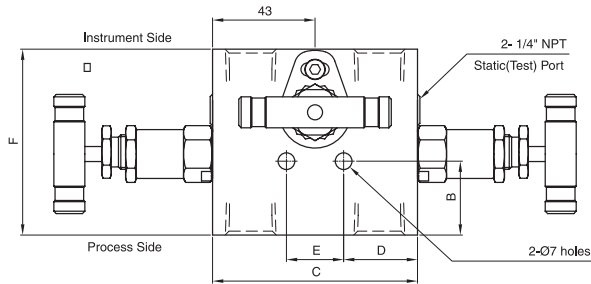


Ordering No.	End Connections			Weight Dimensions (mm)						
	Process	Instrument	Bleed	A	B	C	D	E	F	G
SM2VD-F-8N	1/2" Female NPT	Flange(MSS)	1/4" Female NPT	116.0	17.0	63.0	41.4	63.5	115.0	32.0

* To order a manifold with optional Grafoil packing, add-G to the manifold ordering number.

3-Valve Manifolds

Horizontal Style (Remote Mounting)



Material of Construction

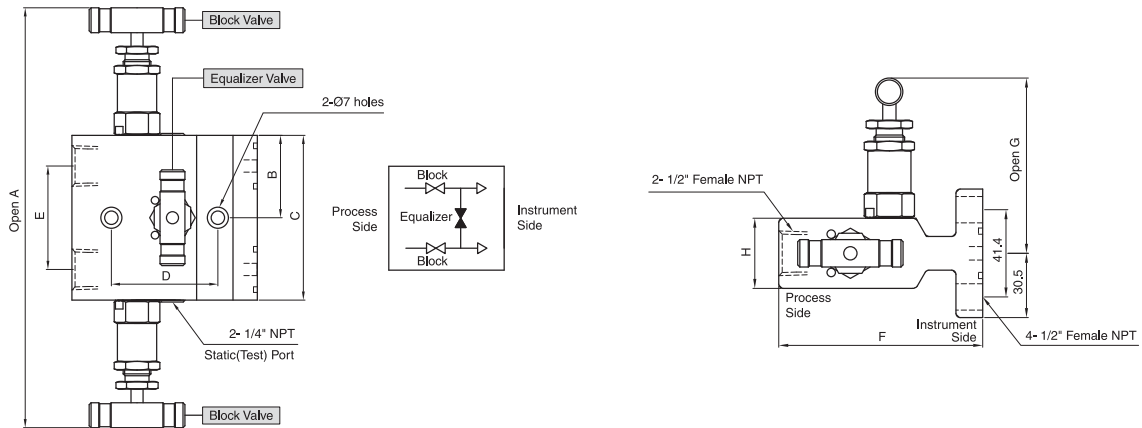
Component	Material Grade	Component	Material Grade
① Body	SS316	⑥ Packing Bolt	SS316
② Stem	SS316	⑦ Lock Nut	SS316
③ Vee Tip	SS316	⑧ Stop Pin	Stainless Steel
④ Bonnet	SS316	⑨ Handle	Stainless Steel
⑤ Packing	PTFE	⑩ Set Screw	Stainless Steel
	Grafoil (optional)		

Ordering No.	End Connections		Weight Dimensions (mm)							
	Process	Instrument	A	B	C	D	E	F	G	H
SM3V-F-8N	1/2" Female NPT		228.0	31.0	86.0	31.0	24.0	78.0	104.5	33.5

* To order a manifold with optional Grafoil packing, add-G to the manifold ordering number.

3-Valve Manifolds

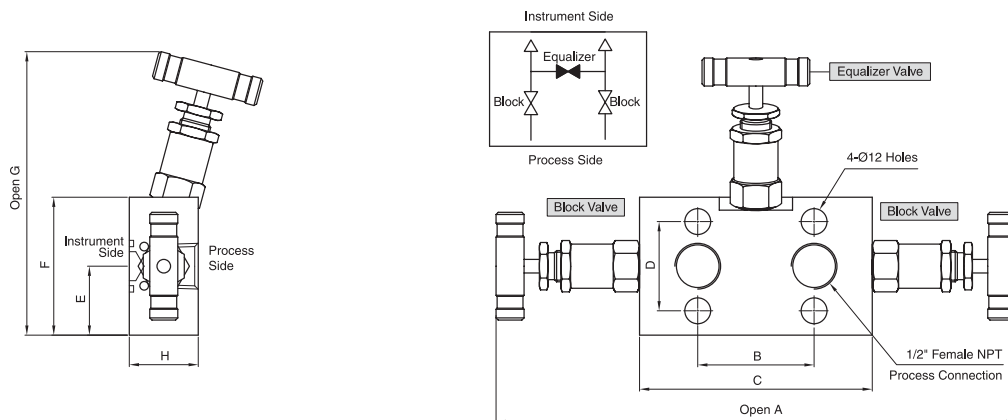
Horizontal Single Flange Style (Direct Mounting)



Ordering No.	End Connections		Weight Dimensions (mm)							
	Process	Instrument	A	B	C	D	E	F	G	H
SM3VF-F-8N	1/2" Female NPT	Flange(MSS)	228.0	43.0	86.0	55.6	54.0	96.8	87.7	33.3

* To order a manifold with optional Grafoil packing, add-G to the manifold ordering number.

Vertical Style (Direct Mounting)

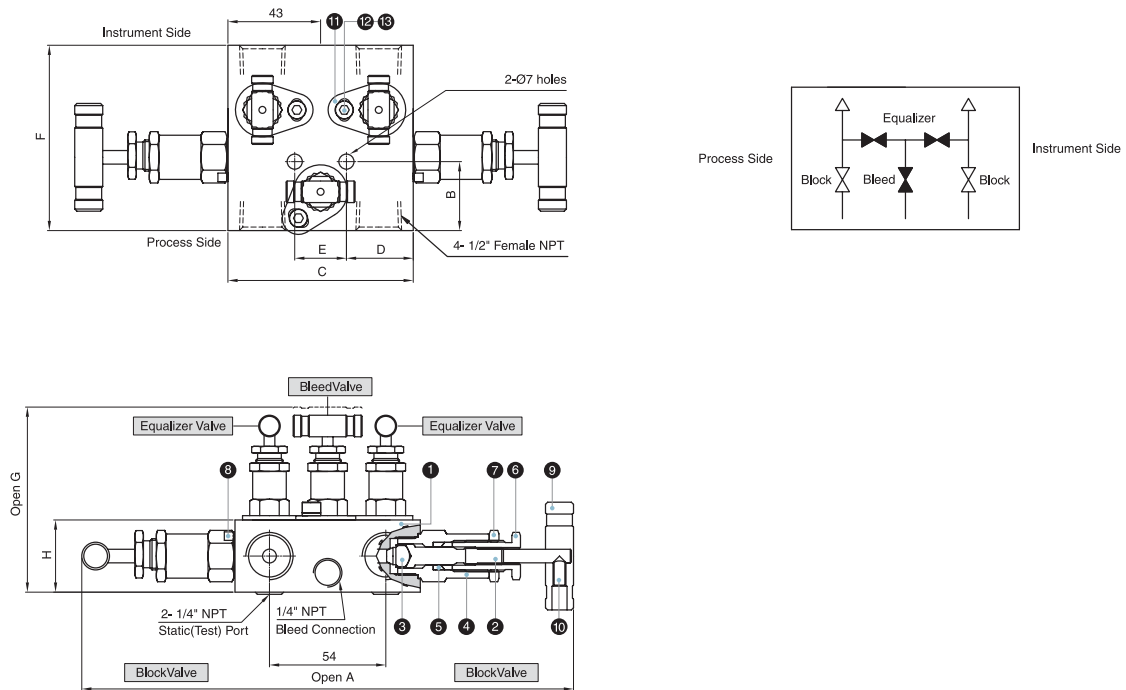


Ordering No.	End Connections		Weight Dimensions (mm)							
	Process	Instrument	A	B	C	D	E	F	G	H
SM3VD-F-8N	1/2" Female NPT	Flange(MSS)	250.0	54.0	108.0	41.4	32.0	64.0	136.0	32.0

* To order a manifold with optional Grafoil packing, add-G to the manifold ordering number.

5-Valve Manifolds

Horizontal Style (Remote Mounting)



Material of Construction

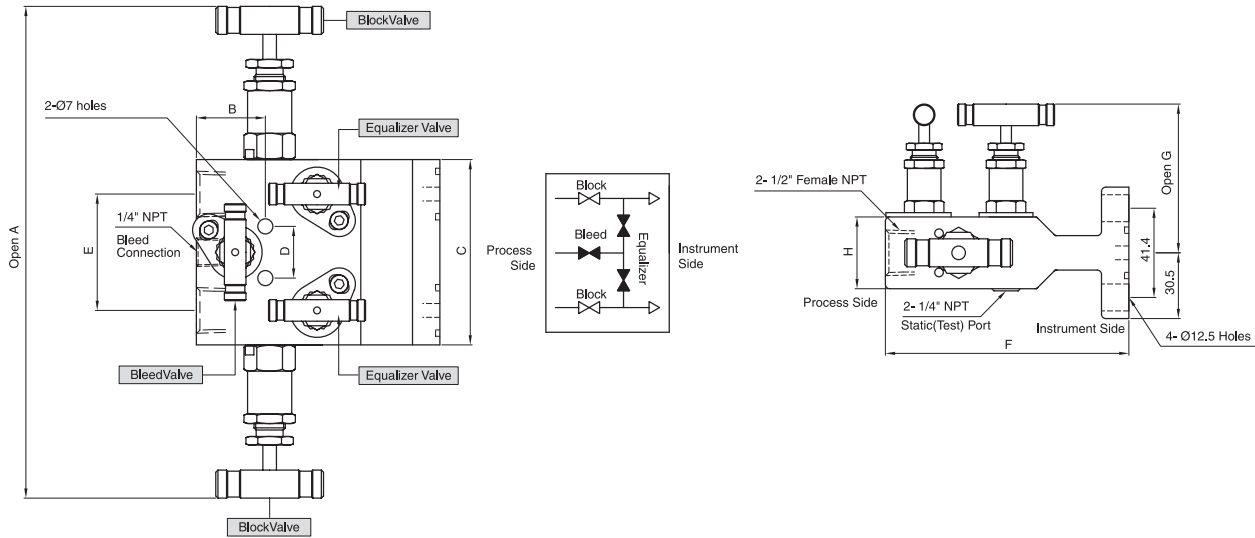
Component	Material Grade	Component	Material Grade
1 Body	SS316	7 Lock Nut	SS316
2 Stem	SS316	8 Stop Pin	Stainless Steel
3 Vee Tip	SS316	9 Handle	SS316
4 Bonnet	SS316	10 Set Screw	Stainless Steel
5 Packing	PTFE	11 Locking Plate	Stainless Steel
	Grafoil (optional)	12 Wrench Bolt	Stainless Steel
6 Packing Bolt	SS316	13 Spring Washer	Stainless Steel

Ordering No.	End Connections			Weight Dimensions (mm)							
	Process	Instrument	Bleed	A	B	C	D	E	F	G	H
SM5V-F-8N	1/2" Female NPT		1/4" Female NPT	228.0	32.0	86.0	31.0	24.0	86.0	85.9	33.5

* To order a manifold with optional Grafoil packing, add-G to the manifold ordering number.

5-Valve Manifolds

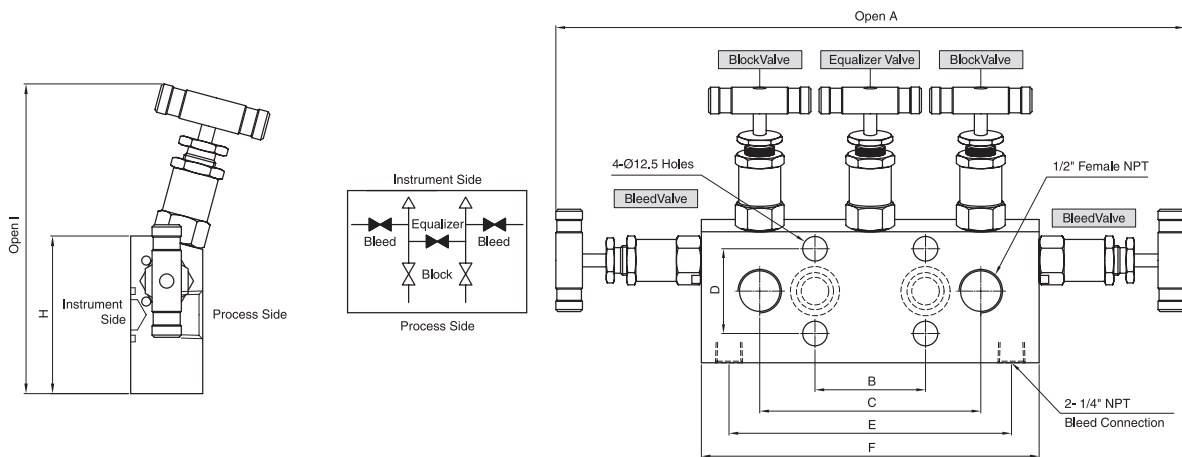
Horizontal Single Flange Style (Direct Mounting)



Ordering No.	End Connections			Weight Dimensions (mm)							
	Process	Instrument	Bleed	A	B	C	D	E	F	G	H
SM5VF-F-8N	1/2" Female NPT	Flange(MSS)	1/4" Female NPT	228.0	32.0	86.0	24.0	54.0	113.0	69.0	33.3

* To order a manifold with optional Grafoil packing, add-G to the manifold ordering number.

Vertical Style (Direct Mounting)

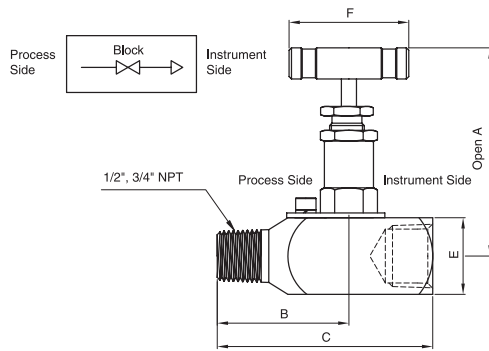


Ordering No.	End Connections			Weight Dimensions (mm)								
	Process	Instrument	Bleed	A	B	C	D	E	F	G	H	I
SM5VD-F-8N	1/2" Female NPT	Flange(MSS)	1/4" Female NPT	312.0	54.0	108.0	41.4	138.0	165.0	70.0	142.0	32.0

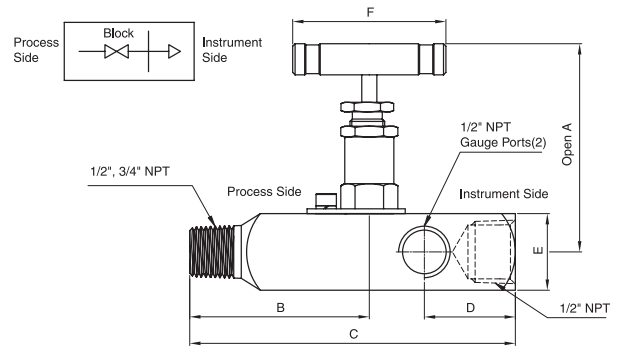
* To order a manifold with optional Grafoil packing, add-G to the manifold ordering number.

Gauge / Root Valve

SGBV(Gauge Valve)



SGRV(Gauge Root Valve)

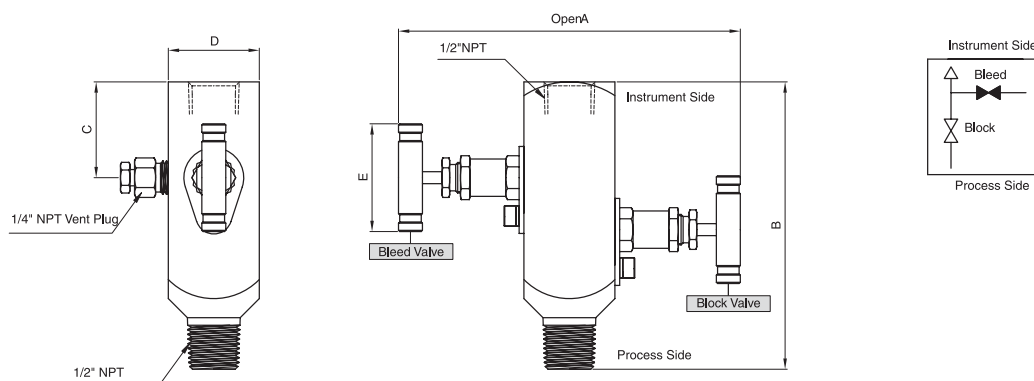


Ordering No.	End Connections		Dimensions (mm)					
	Process	Instrument	A	B	C	D	E	F
SGBV-MF-8N	1/2" Male NPT	1/2" Female NPT	87	75	136	38	32	64
SGBV-MF-12N8N	3/4" Male NPT	1/2" Female NPT						
SGRV-MF-8N	1/2" Male NPT	1/2" Female NPT	87	123	184	38	32	64
SGRV-MF-12N8N	3/4" Male NPT	1/2" Female NPT						

* To order a manifold with optional Grafoil packing, add-G to the manifold ordering number.

Gauge 2-Valve

SGBV 2



Ordering No.	End Connections		Dimensions (mm)				
	Process	Instrument	A	B	C	D	E
SGBV2-MF-8N	1/2" Male NPT	1/2" Female NPT	142	120	40	38	45

* To order a manifold with optional Grafoil packing, add-G to the manifold ordering number.



Valve Series

- Ball Valves
- Integral Bonnet Needle Valves
- Union Bonnet Needle Valves
- Check Valves
- High Pressure Check Valves
- High Pressure Needle Valves
- Plug Valves
- Manifold Valves
- Vacuum Clamp
- Regulators
- Flexible Hoses
- Double Block & Bleed Valves
- Swing-Out Ball Valves
- Toggle Valves
- Bleed & Purge Valves
- Quick Connectors
- High Pressure Ball Valves
- Hydraulic Ball Valves
- Trunnion Ball Valves
- Rising Plug Valves
- Relief Valves
- Cryogenic Needle Valves
- Cryogenic Ball Valves

Fitting Series

- Tube Fittings
- Thread Fittings
- Forged Fittings
- Bite Type Tube Fittings (DIN2353)
- Bite Type Tube Fittings (JIS B2351)
- 37° Flared Tube Fittings (SAE J514)
- O-Ring Face Seal Fittings
- Hose Connectors & Push-On Hose Fittings

Electronics

- MCPD(Molded Case Power Distributor)

BMT Co., Ltd.

1617-7, Songjeong-Dong
Gangseo-Gu Busan Korea
Tel. 82-51-831-0167
Fax. 82-51-831-0169
www.superlok.com
superlok@superlok.com

부산광역시 강서구 송정동 1617-7
전화: 051-831-0167
팩스: 051-831-0169
www.superlok.com
superlok@superlok.com

