

ELECTRIFIED MORTISE LOCK

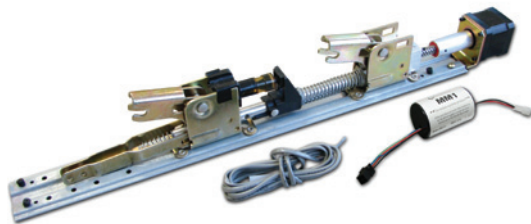


- Electrified version of the Schlage L9000 series mortise lock
- Allows for remote keyless access and egress control for heavy use applications where security and safety is critical
- Storeroom function: Outside lever unlocked electronically
- Latchbolt retracted by key outside or lever inside
- Switched power allows outside lever to retract latchbolt
- Inside lever is always free for immediate egress
- UL listed
- CSFM listed
- Handing: Right handed - field reversible
- Continuous duty solenoids allow for "continuously on" applications such as fail safe or an unlock cycle
- Plug-in bridge rectifier that allows for an AC or DC power source
- Low current draw
- Fail secure
- Operating voltage: 24VAC/DC (+/- 10%)
- Amperage: 24V = 350mA
- Solenoid coil resistance: 24V = 69 Ω
- Power consumption: 8 watts



MFG #	EZ #
ML80EU CH24VAC RH	105964

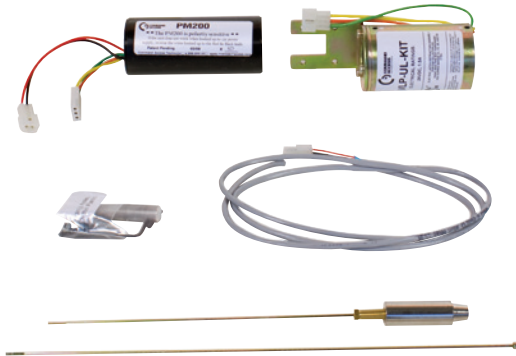
MOTORIZED LATCH PULLBACK DEVICE FOR VON DUPRIN EXIT DEVICE



- For Von Duprin 33/35 or 98/99 series 36" exit devices
- Fast, quiet and smooth operation
- Easy installation by sliding the device in the exit device
- Low surge current draw
- Electric dogging
- Monitor switch available: See VDREXKIT ED; EZ #105959 on page 62
- Fail secure
- Field installable
- 24 VAC/DC
- Maximum wire runs: 300' with 18ga wire, 500' with 16ga wire, 750' with 14ga wire, 1000' with 12ga wire
- Includes MM1 module; compatible with most 24VDC, 1A (or greater) regulated power supplies, and features an electronic travel adjustment to fine tune latch bolt pull back
- Voltage range: 22 to 30 VDC
- System protection: unit shut down when voltage exceeds 30VDC
- Current draw: 1A for 400ms, 125mA holding (dogged) thereafter
- Electronic travel adjustment: Approximately 1/4"
- CYLP-M-Kit for Corbin 5000 series & Yale 7000 series kit also available by special order

MFG #	EZ #
VLP M KIT36	105918

UL LISTED ELECTRIFIED LATCH PULLBACK DEVICE FOR VON DUPRIN EXIT DEVICE



- For Von Duprin 33/35 or 98/99 36" or 48" exit devices to maintain existing UL listing of the exit device
- Includes conversion parts for 36" and 48" devices
- High performance quality solenoids designed for demanding applications
- Extended duration latch pullback capability for "continuously on" conditions
- Monitor switch available: see VDREXKIT ED; EZ #105959 below
- Fail secure
- Field installable
- Non-handed
- 24 VAC/DC
- Includes PM200 interface power module; programmed to maximize the efficiency and life of the solenoid, 6' long 2-wire cable with PM200 connector and plug for dogging hole
- Designed to achieve a much longer wire run, and it allows for the use of most 24VDC power supplies rated at 1.5A or greater
- Maximum wire runs: 700' with 18ga wire, 1000' with 16ga wire, 1250' with 14ga wire, 1500' with 12ga wire
- Voltage: 24VDC
- Current draw: 12A for 200ms@24V

MFG #	EZ #
VLP UL KIT	105958

FIELD INSTALLABLE "REQUEST TO EXIT" SWITCH

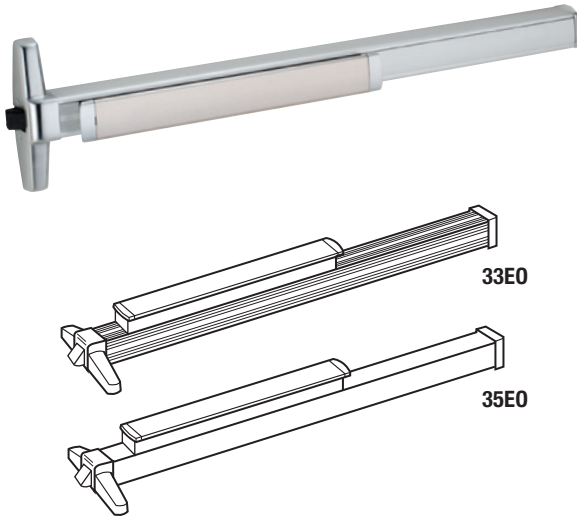


- For Von Duprin 22/33/35/98/99 series exit devices
- Field installable REX (request to exit) exit device monitoring switch; monitors egress and device positioning to ensure the most secure assembly possible
- SPDT (single pull, double throw) switch and capable of greater than 1 amp @ 24 volts
- Each kit includes the switch assembly and all necessary items needed for quick field installation
- When utilized, the REX switch sends a signal to alert the control panel that the door is about to be opened by someone intending to exit from within the secured area
- Other manufacturer's REX available by special order

MFG #	EZ #
VDREXKIT ED	105959

35 NARROW STILE EXIT DEVICE

BHMA
CERTIFIED
GRADE 1



- Devices are equipped with a fluid dampener which decelerates the pushpad on its return stroke and eliminates most noise associated with exit device operations
- Equipped with a deadlocking latchbolt to provide additional security and improved performance
- For all types of single and double doors with mullion
- Non handed for left and right doors
- Dogging feature hex key dogging standard
- Fits door stiles as narrow as 1-3/4"
- Devices are 3' long, can be field sized for doors from 2'4" to 3' wide
- Rim mount devices supplied with 1439 roller strike
- Supplied with mounting hardware for 1-3/4" to 2-1/4" thick doors
- Center case dimensions: 8-3/16" x 2-13/32" x 1-9/16"
- ANSI A156.3, 1994, Grade I, UL listed
- Finish: Satin aluminum

MFG #	DESCRIPTION	EZ #
33A E026D 3FT	Grooved Mechanism Case	076493
35E028 3FT	Smooth Mechanism Case	079179

ELECTRIC LATCH RETRACTION KITS & ACCESSORIES



050070

- 050070**
- Electric latch retraction (ELR) conversion kit for 33, 35, 98 & 98 series 3' exit devices
 - Requires PS914 & 900 2RS power supply to function



050251 00

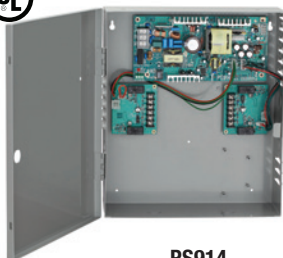
- 050251 00**
- Field installable request to exit (RX) switch signals access control systems when pushpad is depressed
 - For 22, 33, 35, 98 & 99 devices



EPT10

- EPT10**
- Electric power transfer conducts current from the frame to the edge of a swinging door
 - Fully concealed when door is closed
 - Ten 24 gauge wires; up to 1 amp @ 24VDC with a 16 Amps maximum surge

- PS914**
- Size: 14"H x 12"W x 4"D
 - Output: 4A @ 12/24 VDC output, field selectable with jumper
 - Universal 120-240 VAC input
 - Designed with high in rush current for powering electrified panic devices
 - Low voltage DC, regulated and filtered
 - UL listed 294



PS914



900 2RS

- 900 2RS**
- 2 relay EL panic device control board for use with the PS914 power supply
 - Recommended for use with 914 when powering an EL device
 - Required for use with 914 when powering 2 EL devices

MFG #	DESCRIPTION	EZ #
050070	3' EL Conversion Kit	084403
050251 00	RX Switch Kit	067216
EPT10SP28	Power Transfer	030532
PS914	4 Amp Power Supply	103953
900 2RS	2 Relay EL Panic Device Control Board	103957