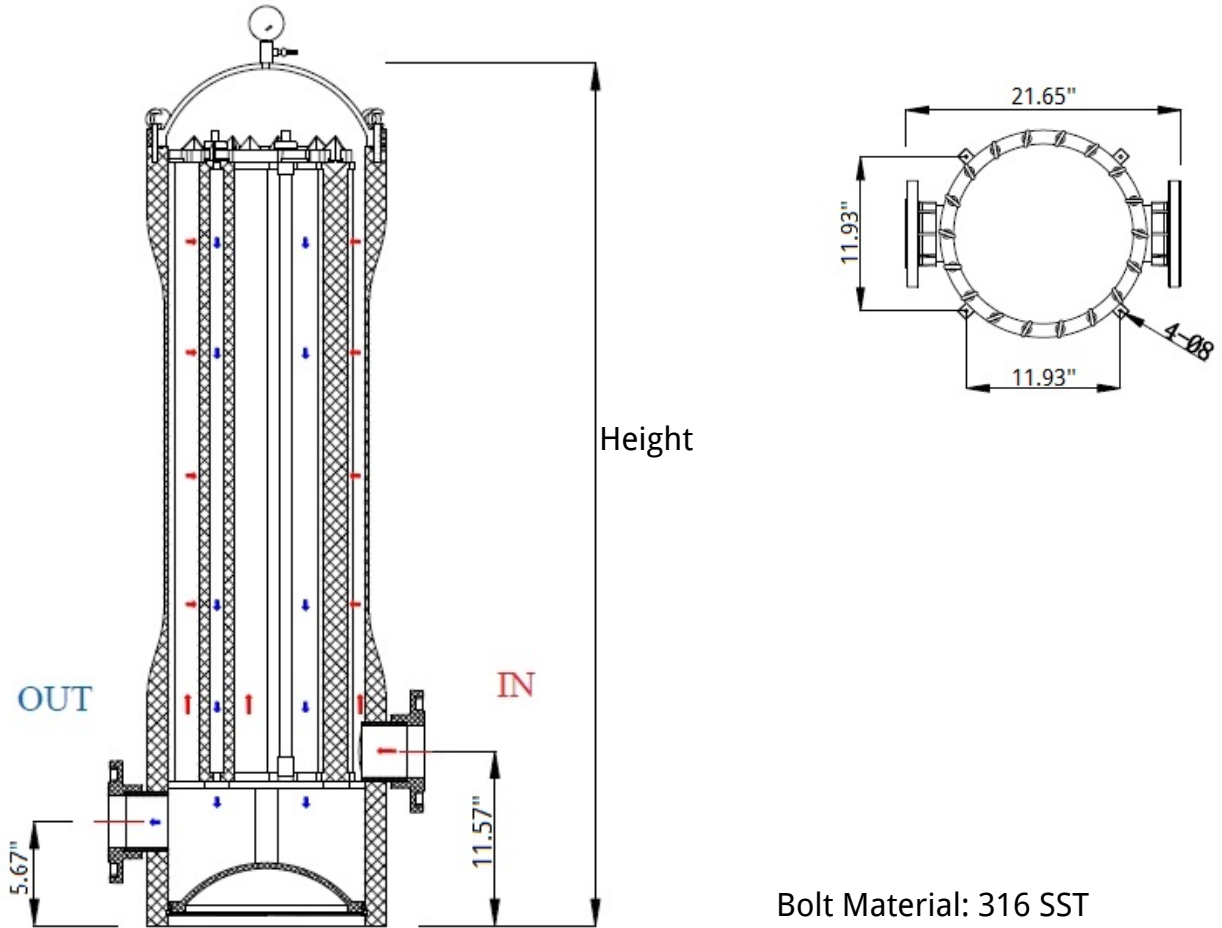


## FRP Cartridge Housing - 18 Rounds



Part Number	Material	Diameter (Inches)	Height (Inches)	Cartridges	Cartridges Length	In/Out	Drain	Max. Pressure	Max. Temp.	Flow Rate
HPCF-18DC3	FRP	Ø16.54	51.97"	18	30"	FLG: 4"	G1/2"	150 PSI	120°F	154 GPM
HPCF-18DC4	FRP	Ø16.54	61.81"	18	40"	FLG: 4"	G1/2"	150 PSI	120°F	206 GPM