

# Crane 346 1/2 Check Valve

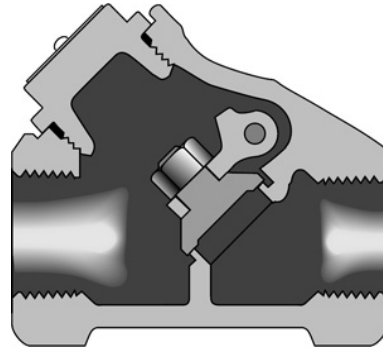
Fall/Winter Inventory List for:



**CRANE**

**\*\*\*In Stock! Ready to Ship!\*\*\***

**CRANE**



**CRANE**

**Crane Model 346 1/2**  
**Malleable Iron Y-Pattern Swing Check Valve**

**CRANE**

Size 1/2"  
**Over 100 in Stock**



Size 3/4"  
**Over 200 in Stock**



Size 1-1/4"  
**Over 50 in Stock**

**\*\*All valves are new-surplus, many still in factory boxes\*\***  
Stock quantities accurate as of October 1<sup>st</sup> 2015.  
Call, fax, or email J&M Valve for all of your valve and tube fitting needs.



Visit us at:  
[www.JandMValve.com](http://www.JandMValve.com)

Phone  
1-800-828-5558

Fax  
850-968-1804

E-mail  
[matt@jandmvalve.com](mailto:matt@jandmvalve.com)