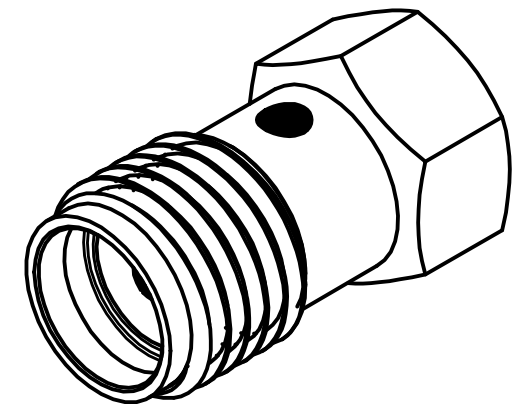
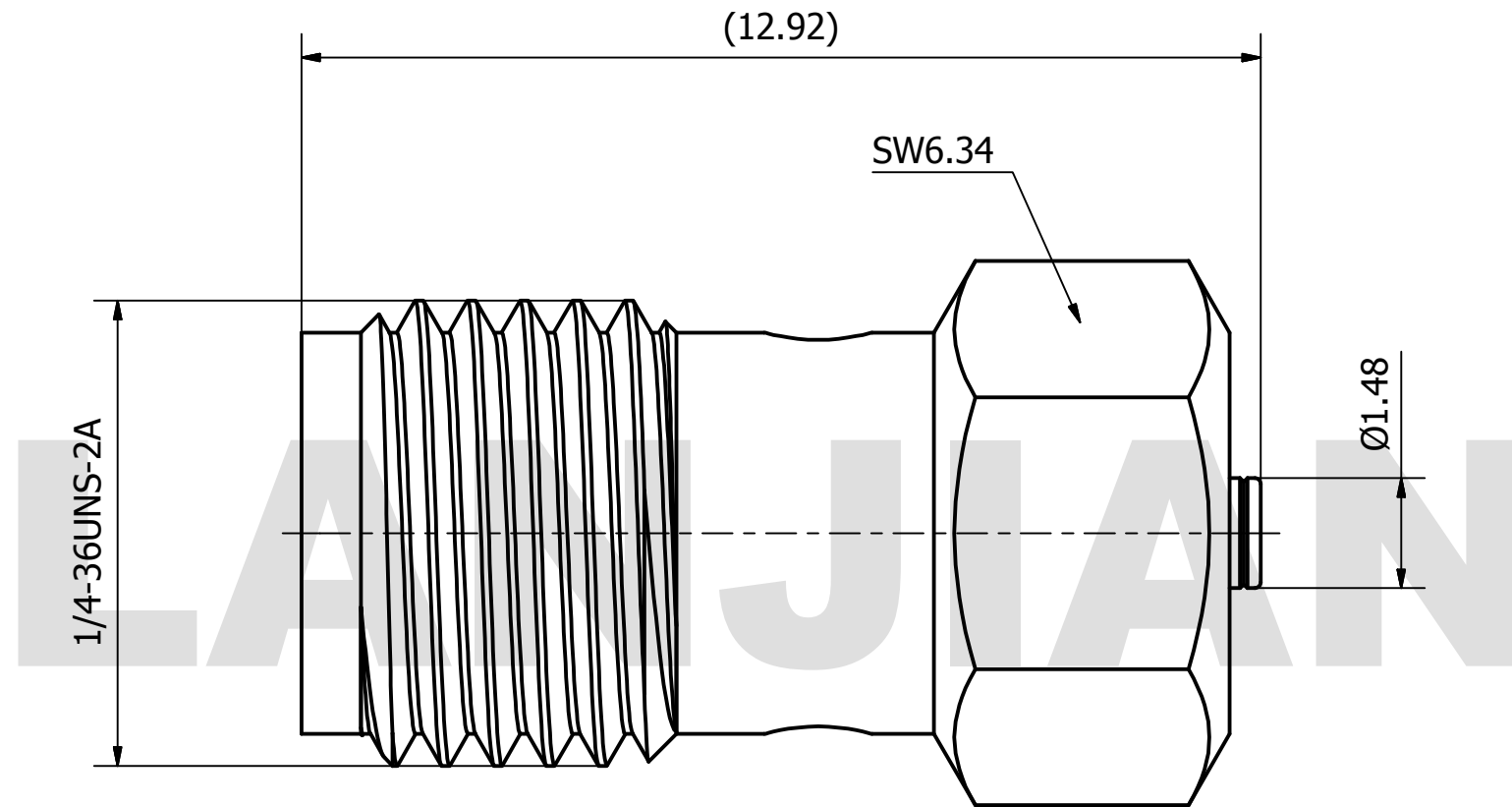


PRODUCT DATA SHEET



MATERIAL:
BODY: PHOSPHOR BRONZE,
 ALLOY NO. UNS C51900
CONTACT: BERYLLIUM COPPER PER ASTM B196.
 ALLOY NO. UNS C17300
INSULATOR: PTFE PER ASTM D1710

PERFORMANCE:
IMPEDANCE: 50 OHMS
FREQUENCY: DC TO 18 GHz
VSWR: ≤1.30

THIS DOCUMENT CONTAINS CONFIDENTIAL AND PROPRIETARY INFORMATION THAT CANNOT BE REPRODUCED OR DIVULGED, IN WHOLE OR IN PART, WITHOUT WRITTEN AUTHORIZATION FROM "LANJIAN ELECTRONICS"	MATERIAL :			LANJIAN ELECTRONICS 38 Hengtong Road, Xinqu Dingmao Zhenjiang, 212009, Jiangsu, P. R. China
	UNLESS OTHERWISE SPECIFIED: DIMENSIONS IN MM			
	TOLERANCES :			
	X.X ±0.20	ANGULAR : ±1°	DEBURR AND BREAK SHARP EDGES	
	X.XX ±0.10	FILLETS R/C : ±0.10		
	X.XXX ±0.01	SURFACE FINISH : Ra 1.6		
	NAME	DATE	SIGNATURE	
	DRAWN			
	CHK'D			
	APPV'D			
MFG				
PROJECTION	SIZE	SCALE	DWG No.	
	A3	10 : 1	GCPZ3.660.A.006	
DO NOT SCALE THE DRAWING			REV.	
			PAGE 1 / 1	

TITLE
SMA-KA01 straight jack connector

DO NOT SCALE THE DRAWING