

APPLICATION

The VPA-1503 Dual Outlet Vacuum Pick-Up Adapter is commonly used in conjunction with feedbins or bag dump stations that require variable system infeed rates. Quick release flange clamps allow for changeout and cleaning without tools.

DESIGN

The VPA-1503 Dual Outlet Vacuum Pick-Up Adapter utilizes a unique design to allow for multiple vacuum pickups from one adapter without additional connections.

The adjustable bleed vacuum wands used in the pickup adapter consist of an inlet air collar that without tools adjust intake airflow. Quick Release clamps allow for easy cleaning or size changeouts. Flow promotion with a single aeration pad which nearly eliminates the heel of material common with other designs.

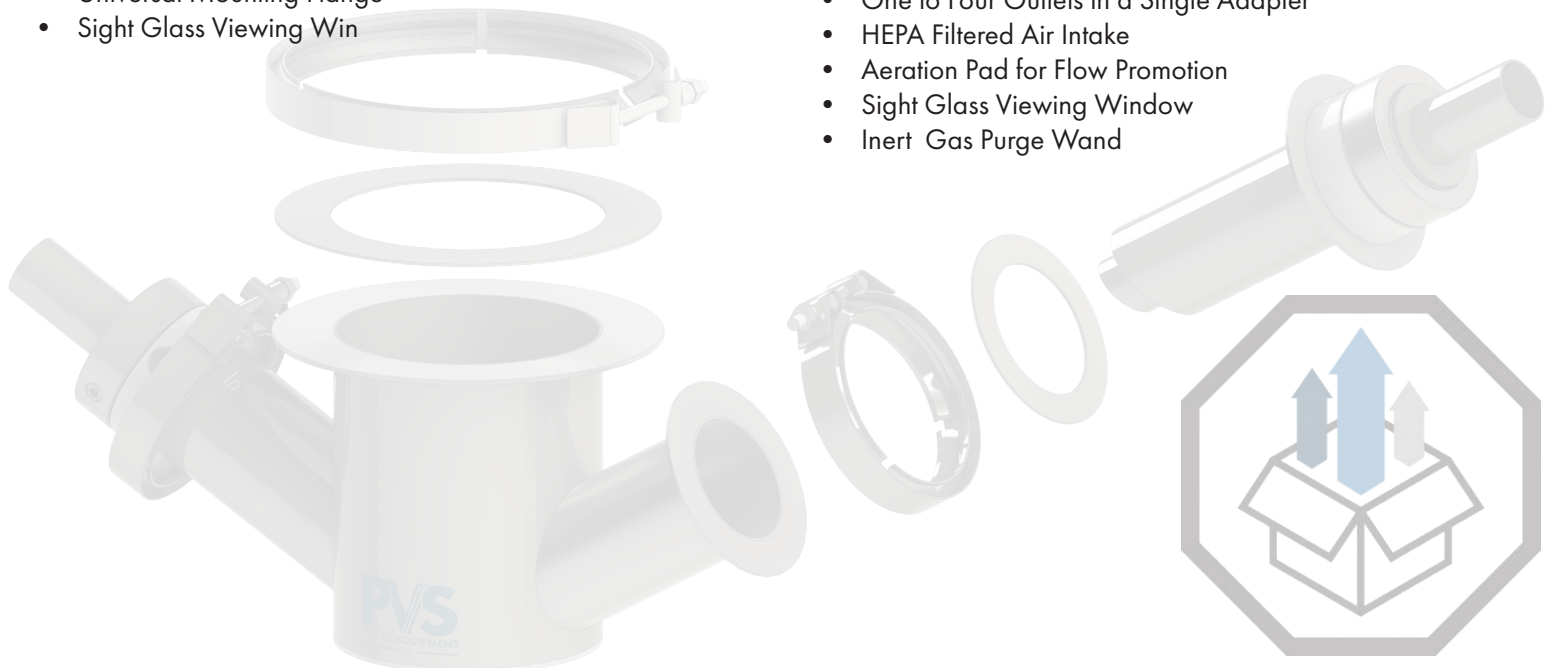


STANDARD SPECIFICATIONS

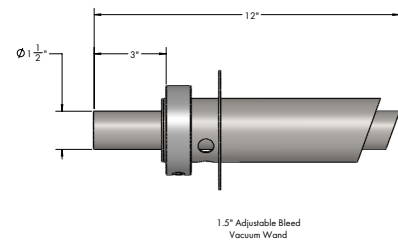
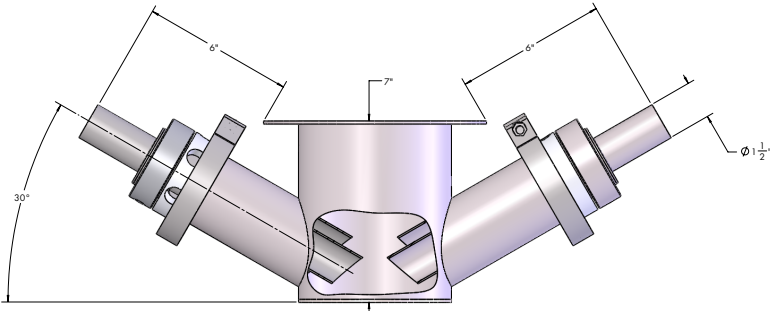
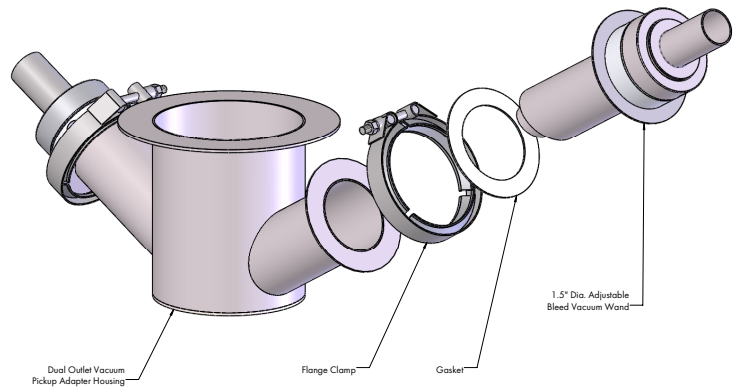
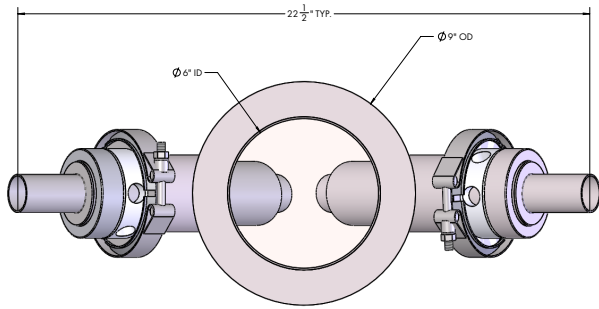
- Carbon Steel Construction
- Two (2) Adjustable Bleed Outlet Wands
- Quick Release Clamps
- Universal Mounting Flange
- Sight Glass Viewing Win

OPTIONS

- 304 or 316 Stainless Steel Construction
- Universal Flange Adapter
- One to Four Outlets in a Single Adapter
- HEPA Filtered Air Intake
- Aeration Pad for Flow Promotion
- Sight Glass Viewing Window
- Inert Gas Purge Wand



DIMENSIONS OF THE VPA-1503 VACUUM PICK-UP ADAPTER



AVAILABLE SIZES:

- 1"-2 ½" Diameter Outlet Tubes
- 1-4 Outlets (90° apart)



CUSTOMER DRIVEN SOLUTIONS.

PVS Process Equipment | 2600 Hamburg Turnpike Suite A | Buffalo, NY 14218
p. 716-646-0181 | f. 716-646-0157

CALL PVS TODAY
855.244.9533

Drawing data is for general reference ONLY. Certified drawings for your application available upon request.