

SLIDE RAIL KIT

ALL STEEL (11 GAGE) CONSTRUCTION.

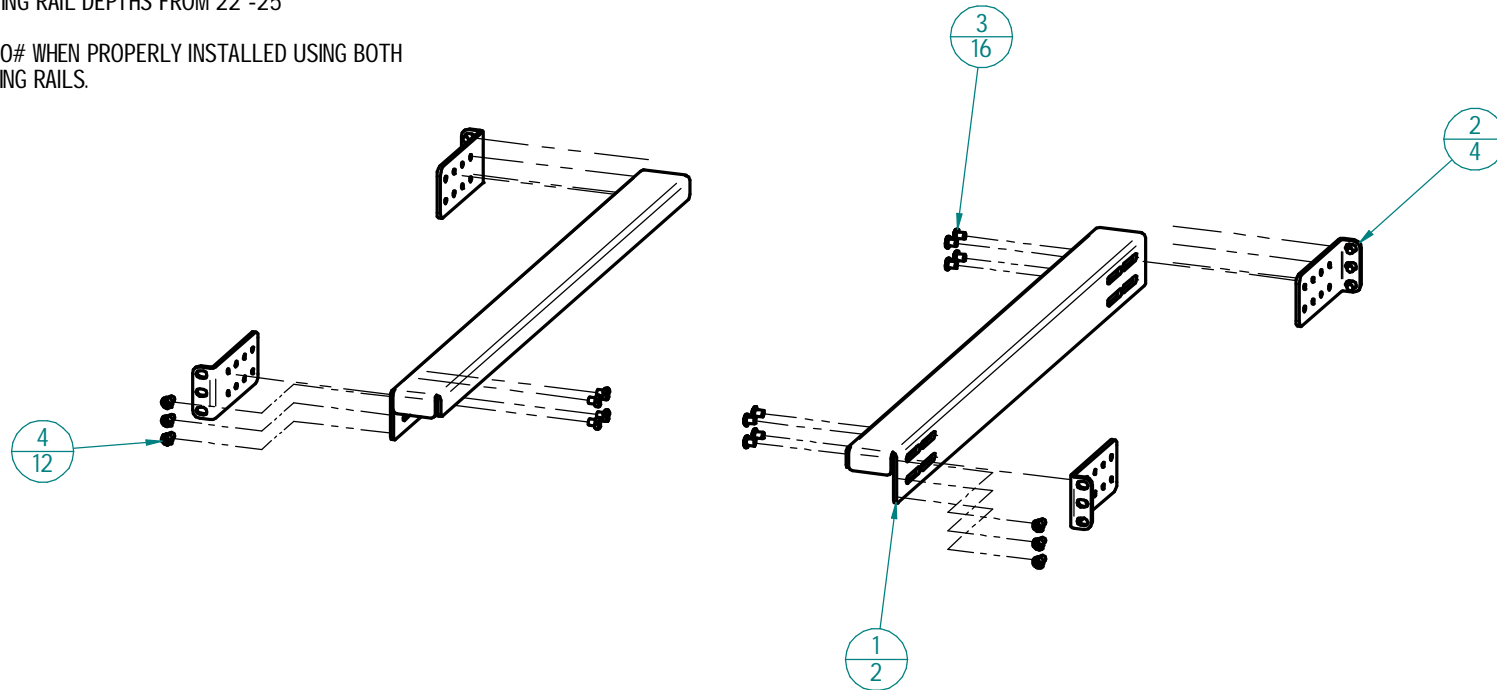
POWDER COAT FINISH (SPECIFY COLOR WHEN ORDERING)

INCLUDES MOUNTING HARDWARE FOR #12-24 THREADED MOUNTING RAILS

TO BE USED WITH MOUNTING RAIL DEPTHS FROM 22"-25"

WILL SUPPORT UP TO 200# WHEN PROPERLY INSTALLED USING BOTH FRONT AND REAR MOUNTING RAILS.

REVISION HISTORY			
REV	DESCRIPTION	DATE	APPROVED



Item Number	Document Number	Title	Quantity
1	GCSA2225-1	SHELF ANGLE 22"-25"	2
2	GCSB0002	SHELF BRACKET	4
3	V-0714	12-24X0.250PHMS	16
4	V-1130	12-24X0.375PHMS	12

NAME	DATE	Custom Cabinets & Racks, INC.		Topeka, KS
DRAWN rgward	11/06/14	Topeka, KS		785-862-2271
CHECKED		TITLE		
ENG APPR		RAIL KIT 22-25		
MGR APPR		UNLESS OTHERWISE SPECIFIED		
DIMENSIONS ARE IN INCHES		SIZE B	DWG NO GCSA2225	REV N/C
ANGLES ±0.1°		FILE NAME: GCSA2225.dft		
2 PL ±0.03 3 PL ±0.031X		SCALE:	WEIGHT: 7.210 lbm	SHEET 1 OF 1