



Price List
03 | 2024



ART DESIGN INTERNATIONAL INC.
3450 1st Street
Saint-Hubert, Quebec J3Y 8Y5
T 450.926.1004 · 800.663.6794



Table of contents

Collections	4-5
Terms of sale	6-7
Technical information	8-9
Spare parts prices	10-11
Armrests	12
Mechanisms	13

Office area



Ace



Arriva



Art deco



Bravo



Cat



Clover/Camelia



Colori



Desire



Ergo-medic



Everest



Finesse



Flex



Golf



Lab



Lynx



Malla



Miniflex



Next



Ovation



Penta



Scorpio



Sensaflex



Tact



Top



Viva



Voilà



Wave



Zest

Lounge and waiting area



Connect



Sano



Mars 1.0



Mars 2.0



Maya



Venus



Tables

Collections	Ergonomic	Executive	Conference	Multi-purpose	Lounge and waiting area	Heavy duty	Bariatric	Pages
Ace	✓		✓					14-17
Arriva				✓	✓			18-21
Art deco	✓	✓	✓			✓		22-27
Bravo	✓	✓	✓	✓				28-33
Cat				✓	✓		✓	34-39
Clover/Camelia				✓	✓			40-43
Colori			✓	✓				44-47
Desire	✓	✓	✓			✓		48-53
Ergo-medic				✓	✓			54-57
Everest	✓	✓				✓	✓	58-61
Finesse				✓	✓		✓	62-65
Flex	✓	✓	✓			✓		66-71
Golf				✓	✓			72-75
Lab				✓				76-79
Lynx	✓	✓	✓			✓		80-85
Malla	✓		✓	✓				86-91
Miniflex				✓	✓			92-95
Next	✓	✓	✓			✓		96-101
Ovation	✓	✓	✓					102-107
Penta			✓	✓	✓			108-111
Scorpio	✓	✓	✓					112-115
Sensaflex	✓	✓	✓			✓		116-121
Tact	✓	✓	✓	✓	✓			122-127
Top	✓	✓	✓			✓		128-133
Viva	✓	✓	✓			✓		134-139
Voilà	✓	✓	✓	✓		✓		140-145
Wave	✓		✓	✓				146-151
Zest				✓				152-155
Connect					✓	✓	✓	158-163
Sano					✓			164-167
Mars 1.0					✓			168-173
Mars 2.0					✓			174-179
Maya					✓			180-183
Venus					✓			184-187
Tables					✓			188-191

PRICE

Prices shown in this list are suggested retail, taxes extra, and are subject to change without notice. Depending on destination and product, shipping and installation fees can apply as described in the freight policy available from our customer service department. Unless otherwise specified, these fees are not included for parts orders.

TERMS

For customers with an approved credit line, payment terms are Net 30 days from date of invoice. Overdue accounts will be subject to 2% monthly interest charge. ADI reserves the right to withhold or refuse any order for customers with overdue accounts.

ORDERS

For every order received, an acknowledgment is sent to the customer, who is responsible for validating the accuracy of its order and notifying ADI of any required changes within two (2) days. For any modification or cancellation requested after this two-day period, ADI reserves the right to claim costs incurred at the time of modification or cancellation.

STORAGE

ADI reserves the right to charge storage fees for any order that cannot be received by the customer following the agreed delivery date.

CLAIMS AND RETURNS OF MERCHANDISE

Claims for incomplete orders or damaged merchandise must be submitted within seven (7) days following delivery. In the case of shipments where damage is obvious, customers must refuse delivery until the carrier has written the nature of the observation on the bill of lading. No merchandise can be returned without ADI's written consent and shipping instructions. Authorized returns will be shipped prepaid by the customer and will entail a handling and inspection charge of 25% of the invoice price. Only merchandise in perfect and unused condition will be accepted, unless otherwise specified.

SPECIFICATIONS

ADI reserves the right to modify specifications of its products, materials, designs, or accessories, and to discontinue manufacturing of the forementioned without notice. Measurements are approximate and may vary, depending on seat and backrest adjustments, foam compression and/or upholstery type, by up to 1/2" ou 12mm.

WARRANTY

We guarantee our products for life against any manufacturing defect except for:

- Seat and backrest upholstery (ADI program): 2 years
- Intensive use, i.e., more than 8 hours per day: 3 years
- Sense, Clover, Camélia, Everest & Golf: 3 years

This warranty is not transferable and does not apply to the following situations:

- Damage resulting from normal wear and tear.
- Damage resulting from improper use, abuse or use in unusual conditions.
- Damage during transportation and storage at the customer's premises.
- Products that have been altered.
- Upholstery outside the ADI program, either supplied by the customer (C.O.M. and C.O.L.) or purchased by us.
- Variations in the colour of the overlay from previous samples or purchases.
- Texture variations and natural marks on wood and leather finishes.

REFLEX PROGRAM

ADI offers fast production program (within 10 days), which allow to order up to ten (10) chairs of the following models:

- Bravo BRH
- Flex FXH, FXD
- Malla MLH
- Tact TAH, TAD
- Top TPH, TPD
- Viva VIH, VID
- Wave WEH
- Arriva AV4
- Cat CA2, CA4
- Miniflex MX2S, MX4S
- Penta PN4, PNL

Fabric offer for the Reflex program consists in the following selection:

Genesis (geosheard.com)

- GS101 Poplar (beige)
- GS304 Chianti (red)
- GS404 Atmosphere (blue)
- GS802 Moonwalk (grey)
- GS903 Flint (noir)

Challenger (ennisfabrics.com)

- 17 Garnet (red)
- 30 Denim blue (blue)
- 605 Cream (beige)
- 908 Chinchilla (grey)
- 909 Raven (black)

Product offering, fabrics and other terms may change without notice. Please validate the conditions in force when placing an order by visiting our website: adi-artdesign.com

**FREIGHT CHARGES
APPLICABLE ON EVERY
REFLEX ORDER**

* (delivered to the dealer)

Greater Montréal area:	\$ 50 per chair
Rest of Québec*:	\$ 100 per chair
Canada (excluding Québec)* :	\$ 150 per chair
USA :	\$ 200 per chair

FABRIC GRADES

The price differential is consistent between fabric grades. When establishing a price for a chair with a grade higher than E, multiply the difference between 2 fabric grades, by the number of letters between E and the desired grade. Add this amount to the price of grade E.

For example, if the difference between two grades is \$25, and the E grade price is \$300, the grade J would be at \$425 (5x25=\$125)

GAS LIFTS

The chart below shows the standard gas lift for each mechanism, as well as the seat height adjustment range. In certain cases, a mechanism with seat slider will require a different gas lift. To order a different gas lift than the standard one, specify the alternate code on the order. For all products offered with a single mechanism, please refer to the measures chart presented in each collection.

Cylinder number	Measures	B ⁽¹⁾	K	MF	P	S	SB	T	Z	SS	SY
80 mm	Low	15 ^{1/2}	17 ^{1/2}	16	17 ^{1/2}	15	15	15	15	16	16
	High	18 ^{1/2}	20 ^{1/2}	19	20 ^{1/2}	18	18	18	18	19	19
100 mm	Low	17	18 ^{1/2}	17 ^{1/2}	18 ^{1/2}	16	16	16	16	17 ^{1/2}	17 ^{1/2}
	High	20 ^{1/2}	22	21	22	19 ^{1/2}	19 ^{1/2}	19 ^{1/2}	19 ^{1/2}	21	21
120 mm	Low	18	19 ^{1/2}	18 ^{1/2}	19 ^{1/2}	17	17	17	17	18 ^{1/2}	18 ^{1/2}
	High	22 ^{3/4}	24 ^{1/4}	23 ^{1/4}	24 ^{1/4}	21 ^{3/4}	21 ^{3/4}	21 ^{3/4}	21 ^{3/4}	23 ^{1/4}	23 ^{1/4}
140 mm	Low		20	18 ^{1/4}	20	17 ^{1/2}	17 ^{1/2}	17 ^{1/2}	17 ^{1/2}	18 ^{1/4}	20
	High		25 ^{1/4}	24 ^{3/4}	25 ^{3/4}	23	23	23	23	24 ^{3/4}	25 ^{1/2}
200 mm	Low					20 ^{1/2}	20 ^{1/2}				
	High					28 ^{1/2}	28 ^{1/2}				
250 mm	Low					24 ^{1/4}	24 ^{1/4}				
	High					34 ^{1/4}	34 ^{1/4}				

Standard cylinder
 — With seat slider, if different

*With seat slider, add 1/2" to measurements for F and Y mechanisms; for others, add 1".

*For NX and LX models, add 1" to the low and high measures.

(1) For Everest, see specifications on product pages.

CALIFORNIA 133 STANDARD

ADI products can be made to comply to the California 133 standard. When needed, specify 133 at the end of the chair code on the order, and add \$150 to the retail price. All upholstery material meeting the CAL 117 standard can be used for the CAL 133 standard.

- 13 Width and height adjustable, armpads with black vinyl upholstery : \$205
- 26 Fixed, urethane armpads : \$250

ELECTROSTATIC DISCHARGE PRODUCTS (ESD)

All ergonomic chairs can be made ESD compliant. Static charge build-up is dissipated through ESD fabric and the unique ADI all steel frame, aluminum base, ESD casters and a drag chain attached to the cylinder.









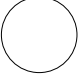







ESD fabrics contain 1% conductive carbon fiber. Contact customer service to know what fabrics are available. To order, specify ESD at the end of the chair code and add \$240 to the grade E list price. The only available armrests are #26 (#27 with a special coating) at \$250.

C.O.M. (CUSTOMER'S OWN MATERIAL) AND C.O.L. (CUSTOMER'S OWN LEATHER) UPHOLSTERY

C.O.M. and C.O.L. product orders must be written clearly and state the color and source of material. The quantity required for each model is shown in the price list for a 54"-wide (1,4 m) piece of non-directional fabric or vinyl. For leathers (C.O.L.), contact customer service.

A 12" x 12" (305 x 305 mm) sample must be sent to ADI for examination, acceptance and, in the case of repeated pattern materials and C.O.L., calculation of the required quantity.

ADI declines any responsibility for the quality and durability of any material that is not part of its standard program, whether the material is supplied by the customer or by ADI (on specification by the customer).

Metal frame colours (see collection for pricing)	
 Canari YC	 Cardinal RD
 Bordeaux DR	 Terracotta OG
 Saphir LB	 Minuit DB
 Sauge GR	 Sapin GP
 White WH	 White sandex WX
 Metallic silver paint SG	 Charcoal CH
 Black BL	 Black sandex SX
 Polished chrome C	 Polished chrome paint PA

SPARE PARTS PRICES

	Code	Unit price
Armrests		
Piece to lower the armrests by 1"	PB1	35
Standard pad	P01	35
Contoured pad	P02	50
Contoured gel pad	P04	75
Backrest		
2" extended back upright	HPB2	55
4" extended back upright	HPB4	110
Gas lifts		
80 mm gas lift	80	55
100 mm gas lift	100	55
120 mm gas lift	120	55
Heavy duty 120 mm gas lift	120HD	85
140 mm gas lift	140	85
200 mm gas lift	200C	85
250 mm gas lift	250C	85
Heavy duty 250 mm gas lift	250HD	110
Ajustable footring	FR	120

	Code	Unit price
Casters		
Carpet caster (for bases)	HW	10
Hard surface caster (for bases)	SW	10
Hard surface caster (for frames)	CA	10
Caster (for frames)	SCA	12
Darcor caster	C-DA	85
Carpet surface brake caster, seated	C-BCHW	45
Hard surface brake caster, seated	C-BCSW	45
Carpet caster, standing	C-RBCHW	45
Hard surface brake caster, standing	C-RBCSW	45
3" heavy duty casters	C-IC	12
Hard surface 3" heavy duty caster	C-ICSW	18
Glides		
Glides instead of casters	GL	12
Nylon caps over glides for hard surfaces	NG	12
Accessories		
Ground fasteners (for 4)	FAS	25
Ganging elements (for 2)	GSS	20

SEATS AND BACKRESTS

For most of our models, seats and backrests can be replaced at the customer's premises or at our factory. Prices indicated do not include delivery nor installation fees.

	Grade	A	B	C	D	E	Leather
Art Deco, Desire, Everest, Flex, Lynx, Next, Ovation, Sensaflex, Top, Viva							
Seat		265	295	325	355	385	885
Low backrest (L)		240	270	300	330	360	860
High backrest (H)		265	295	325	355	385	885
Director backrest (D)		285	315	345	375	405	905
Executive backrest (E)		305	335	365	395	425	925
Scorpio							
Seat and backrest		580	620	660	700	740	1340
Ace, Bravo, Malla, Tact, Voilà, Wave, Zest							
Seat		265	285	305	325	345	645
Backrest (when applicable)		265	285	305	325	345	
Cat, Finesse, Miniflex							
Seat		210	230	250	270	290	
Backrest (when applicable)		230	250	270	290	310	

SLIPCOVERS

For most of our models, slipcovers can be replaced at the customer's premises or at our factory. We recommend to have an experienced technician, if a slipcover replacement is to be executed at the customer's premises. Prices indicated do not include delivery nor installation fees.

	Grade	A	B	C	D	E	Leather
Art Deco, Desire, Everest, Flex, Lynx, Next, Ovation, Sensaflex, Top, Viva							
Seat		160	190	220	250	280	780
Low backrest (L)		120	150	180	210	240	740
High backrest (H)		140	170	200	230	260	760
Director backrest (D)		160	190	220	250	280	780
Executive backrest (E)		190	220	250	280	310	810
Scorpio							
Seat and backrest		270	310	350	390	430	1030
Ace, Bravo, Malla, Tact, Voilà, Wave, Zest							
Seat		160	180	200	220	240	540
Backrest (when applicable)		160	180	200	220	240	
Cat, Finesse, Miniflex, Zest							
Seat		130	150	170	190	210	
Backrest (when applicable)		140	160	180	200	220	

Armrests

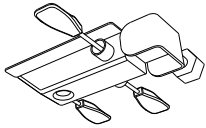
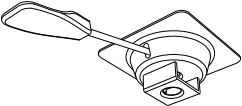
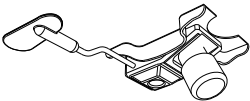
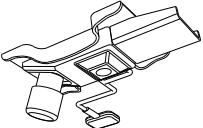
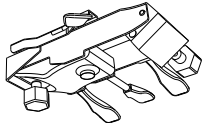
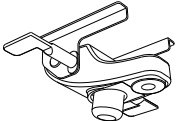
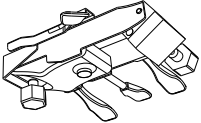
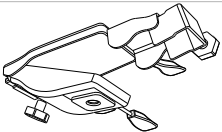
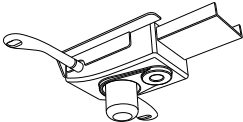
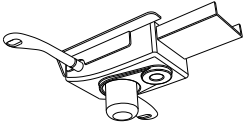
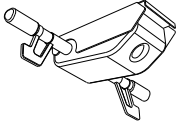
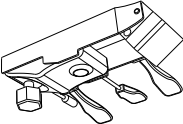
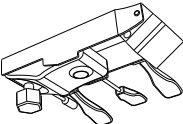
Adjustable



Fixed



Mechanisms

	E	Swivel, tilt, seat height and angle adjustment and backrest angle adjustment, available on stools only
	S	Swivel, tilt, seat height adjustment
	H	Swivel, tilt, 0° lock, seat height adjustment
	Z	Swivel, synchro tilt 2:1, 0° lock, seat height adjustment
	MF	Swivel, tilt, lock, seat height and backrest angle adjustment
	K	Swivel, knee tilt, lock, seat height adjustment
	SS	Swivel, tilt, lock, seat height adjustment and backrest angle adjustment, seat slider
	P	Swivel, knee tilt, lock, seat height and backrest angle adjustment
	X	Swivel, synchro tilt 2:1, 4 position lock, seat height adjustment
	SX	Swivel, synchro tilt 2:1, 4 position lock, seat height adjustment, seat slider
	SY	swivel, synchro tilt 2:1, 4 position lock, seat slider, seat height adjustment
	B	24/7 use, tilt, lock, seat height and backrest angle adjustment
	SB	24/7 use, tilt, lock, seat height and backrest angle adjustment, seat slider

Ace

Seat made of plywood and high resilience polyurethanemoulded foam. Backrest with ratchet and lumbar support both height adjustable. Mesh backrest available in 9 colors.



Collection

Ergonomic



ACH

ACH

COM

	A	B	C	D	E	LEATHER
H	760	780	800	820	840	1060
SY	890	910	930	950	970	1190



High backrest

MECHANISMS

H	Swivel, tilt, 0° lock, seat height adjustment	
SY	Swivel, synchro tilt 2:1, 4 position lock, seat slider, seat height adjustment	

GAS LIFTS

80	Gas lift 80 mm	-
100	Gas lift 100 mm	Standard
120	Gas lift 120 mm	-

ARMRESTS

Adjustable	81	Height, depth, pivot	100
	82	Height, depth, width, pivot (only with SY mech.)	180

BASES AND CASTERS

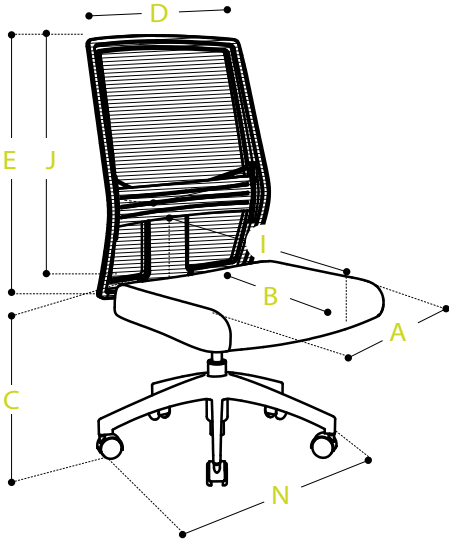
HBL	Black nylon, high hub	Standard
HAL	Polished aluminium, high hub	120
HW	Carpet casters	Standard
SW	Hard surface casters	20

MESH COLORS

MN	Black	Standard
MG	Grey	25
MK	Nickel	25
MM	Navy	25
ME	Electric	25
MC	Ocean	25
MV	Green	25
MR	Red	25
MO	Orange	25

CONTRASTED STITCHES

CCC	Different coloured thread. For leather only (visible topstitching)	75
-----	--	----



Measures	A	B*	C	D	E	I	J*	N	Weight	Volume	COM
ACH	18 ^{1/2}	18 ^{1/2}	17-22	18	24 ^{1/2}	19 ^{1/2}	23 - 25	24	36	16	1.0
	47	47	43 - 56	46	62	50	58 - 64	60	16.3	0.45	0.9

*B and J are respectively the effective depth of the seat and the effective height of the backrest

Imperial system (inches - pounds - cubic feet - yards)

Metric system (centimeters - kilograms- cubic meters- meters)

Arriva

Collection of 4 multi-purpose models made with steel tubing frame. Seat and backrest made of black, dark grey or white polypropylene. Many available options including seat and backrest upholstery and a trolley.



Collection

Multi-purpose



AV4



AVL

Stool



AV7



AV8

Trolley



AV20

AV4

AV4 400



Stackable four-leg frame
Glides

AV7

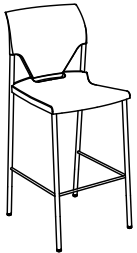
AV7 470



Counter height stool
Glides

AV8

AV8 480



Counter height stool
Glides

AVL

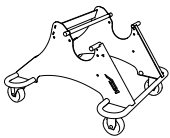
S 540

H 560



AV20

AV20 580



Trolley
Capacity for 7 chairs
(without upholstered seat)

SEATS

PLBL	Black plastic	Standard
PLDG	Dark grey plastic	-
PLWH	White plastic	-

GAS LIFTS

80	Gas lift 80 mm	-
100	Gas lift 100 mm	-
120	Gas lift 120 mm	-
140	Gas lift 140 mm	30
200	8" stool kit (mech. H)	170
250	10" stool kit (mech. H)	170

ARMRESTS

Adjustable NEW	01L	Height, width, soft pad (AVL)	170
	01S	Height, width, S pad (AVL)	180
	XEL	Height, width, standard pad (AVL)	180
	NEW XEL99	Height, width, pads adjustable in width and depth (AVL)	210
Fixed	50BL	Polypropylene black (AV4)	55
	50DG	Polypropylene dark grey (AV4)	55
	50LG	Polypropylene pale grey (AV4)	55
	66	Black sandex frame with fixed PVC arms (AVL)	75

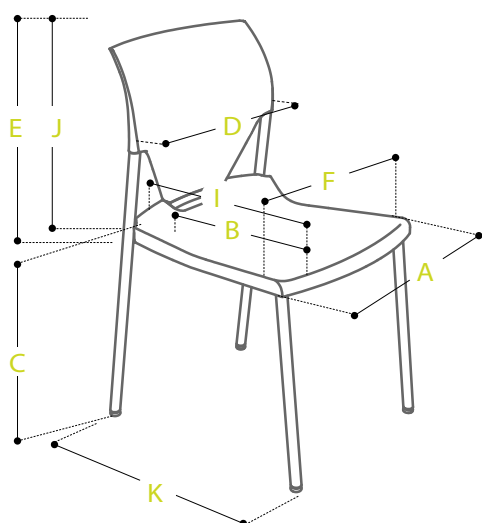
FRAME FINISHES

BL	Black	Standard	LB	Saphir	\$ 50/chair 4 chairs min.
SX	Black sandex	-	DB	Minuit	\$ 50/chair 4 chairs min.
CH	Charcoal	-	RD	Cardinal	\$ 50/chair 4 chairs min.
SG	Metallic grey	-	DR	Bordeaux	\$ 50/chair 4 chairs min.
WH	White	-	GR	Sauge	\$ 50/chair 4 chairs min.
WX	White sandex	-	GP	Sapin	\$ 50/chair 4 chairs min.
C	Polished chrome (AV4)	\$ 85	OG	Terracotta	\$ 50/chair 4 chairs min.
C	Polished chrome (AV7, AV8)	\$ 105	YC	Canari	\$ 50/chair 4 chairs min.
PA	Polished chrome paint	\$ 50/chair 4 chairs min.			

BASES AND CASTERS

SBL	Black nylon	Standard
HBL	Black nylon, high hub	-
AL	Polished aluminium	120
HAL	Polished aluminium, high hub	120
HW	Carpet casters	Standard
SW	Hard surface casters	20
GL	Glides instead of casters	20
CA	Casters (AV4)	20
SCA	Hard surface casters (AV4)	30

SEAT AND BACKREST		Code	A	^{COM} B	C	D	E	COM
Upholstered backrest 15" L x 6" P x 3/4" H		CPB	125	145	165	185	205	0.9
Upholstered seat 15" L x 14" P x 3/4" H		CPS	125	145	165	185	205	0.9
ACCESSORIES								
GAV	Ganging elements (for 2)							30
SEALED STITCHES								
CSC	All models							160



Measures	A	B*	C	D	E	I	J*	F	K	Weight	Volume
AV4	16 ^{1/2}	16 ^{1/2}	18	17 ^{1/2}	15	18 ^{1/2}	16	22 ^{1/2}	21	16	10
	42	42	46	44	38	47	41	57	53	7.2	0.45
AV7	16 ^{1/2}	16 ^{1/2}	24	17 ^{1/2}	15	18 ^{1/2}	16	22 ^{1/2}	21	17	11
	42	42	61	44	38	47	41	57	53	7.7	0.48
AV8	16 ^{1/2}	16 ^{1/2}	30	17 ^{1/2}	15	18 ^{1/2}	16	22 ^{1/2}	21	18	13
	42	42	76	44	38	47	41	57	53	8.2	0.51
AVL	16 ^{1/2}	16 ^{1/2}	17 - 22	17 ^{1/2}	15	18 ^{1/2}	16	26	24	27	9
	42	42	43 - 56	44	38	47	41	66	60	12.2	0.76
AV20	22	-	24	-	-	27	-	24	24	30	9
	56	-	60	-	-	69	-	60	60	13.6	0.85

*B and J are respectively the effective depth of the seat and the effective height of the backrest

Imperial system (inches - pounds - cubic feet - yards)

Metric system (centimeters - kilograms- cubic meters- meters)

Art deco

Collection of 4 ergonomic models. Seat and backrest made of steel tubing with moulded and cut foam and upholstered using the Suspension technique. Seat slip covers equipped with zippers to allow for easy replacement. Many available options including an inflatable lumbar support and multiple seat sizes.



Collection

Director



ADD



ADE

Ergonomic




ADL




ADH


ADL

		A	^{COM} B	C	D	E	LEATHER
 <p>Low backrest</p>	S	775	805	835	865	895	1275
	H	795	825	855	885	915	1295
	Z	815	845	875	905	935	1315
	MF	900	930	960	990	1020	1400
	SS	960	990	1020	1050	1080	1460
	SY	930	960	990	1020	1050	1430


ADH

		A	^{COM} B	C	D	E	LEATHER
 <p>High backrest</p>	S	820	850	880	910	940	1320
	H	840	870	900	930	960	1340
	Z	860	890	920	950	980	1360
	MF	945	975	1005	1035	1065	1445
	SS	1005	1035	1065	1095	1125	1505
	SY	975	1005	1035	1065	1095	1475
	K	945	975	1005	1035	1065	1445
	P	1445	1475	1505	1535	1565	1945
B	1340	1370	1400	1430	1460	1840	

ADD

		A	^{COM} B	C	D	E	LEATHER
 <p>Director backrest</p>	S	860	890	920	950	980	1360
	H	880	910	940	970	1000	1380
	Z	900	930	960	990	1020	1400
	MF	985	1015	1045	1075	1105	1485
	SS	1045	1075	1105	1135	1165	1545
	SY	1015	1045	1075	1105	1135	1515
	K	985	1015	1045	1075	1105	1485
	P	1485	1515	1545	1575	1605	1985
B	1380	1410	1440	1470	1500	1880	

ADE

		A	^{COM} B	C	D	E	LEATHER
 <p>Executive backrest</p>	S	905	935	965	995	1025	1405
	H	925	955	985	1015	1045	1425
	Z	945	975	1005	1035	1065	1445
	MF	1030	1060	1090	1120	1150	1530
	SS	1090	1120	1150	1180	1210	1590
	SY	1060	1090	1120	1150	1180	1560
	K	1030	1060	1090	1120	1150	1530
	P	1530	1560	1590	1620	1650	2030
B	1425	1455	1485	1515	1545	1925	

MECHANISMS

S	Swivel, tilt, seat height adjustment
H	Swivel, tilt, 0° lock, seat height adjustment
Z	Swivel, synchro tilt 2:1, 0° lock, seat height adjustment
MF	Swivel, tilt, lock, seat height and backrest angle adjustment
SS	Swivel, tilt, lock, seat height and backrest angle adjustment, seat slider
SY	Swivel, synchro tilt 2:1, 4 position lock, seat slider, seat height adjustment
K	Swivel, knee tilt, lock, seat height adjustment
P	Swivel, knee tilt, lock, seat height and backrest angle adjustment
B	24/7 use, tilt, lock, seat height and backrest angle adjustment

BACKREST

SPB	Regular back upright	Standard
RB	Ratchet backrest (standard with B & SY mech.)	80
HPB2	2" extended back upright	30
HRB	2" extended back upright (ratchet)	30

GAS LIFTS

80	Gas lift 80 mm	-
100	Gas lift 100 mm	-
120	Gas lift 120 mm	-
140	Gas lift 140 mm	30
200	8" stool kit standard with S mech. (H backrest). E mechanism available as an option (add \$100 to the price of S mech.)	170
250	10" stool kit standard with S mech. (H backrest). E mechanism available as an option (add \$100 to the price of S mech.)	170

SEAT

R	Regular seat	Standard
L	Large seat, 21" L x 20" P	65
S	Small seat, 19" L x 18" P	65
XS	Extra Small seat, 19" L x 18" P	65

ARMRESTS

	01	Height, width, standard pad	170
	01L	Height, width, soft pad	180
	01S	Height, width, S pad	180
	02	Height, width, contoured pad	160
	05	Height, width, multi-pivot, contoured gel pad	360
Adjustable	96	Height, width, depth, pivot, polyurethane pad	190
	96F	Height, width, depth, polyurethane pad	220
	96G	Height, width, depth, pivot, soft pad	220
NEW	XEL	Height, width, standard pad	180
NEW	XEL99	Height, width, pads adjustable in width and depth	210
	FB	Front/back slider (#01,01L,02)	55
	H	1 1/2" longer structure (#01,01L,02,05)	50

ARMRESTS

	11	Polypropylene, C shape	130
	12	Polypropylene, T shape	130
	27	Polyurethane, C shape	160
Fixed	30	Polyurethane and black metal, closed C shape	160
	47	Polyurethane and black metal, C shape	150
	60	Polished aluminum, C shape with polyurethane insert	210
	77	Polished aluminum, T shape with polyurethane pad	230

BASES AND CASTERS

SBL	Black nylon	Standard
HBL	Black nylon, high hub	-
AL	Polished aluminium	120
HAL	Polished aluminium, high hub	120
HW	Carpet casters	Standard
SW	Hard surface casters	20
IC	3" heavy duty casters for carpet	50
ICSW	3" heavy duty casters for hard surfaces	65
GL	Glides instead of casters	20

BACKREST OPTION

LU	Inflatable lumbar support	105
----	---------------------------	-----

SEAT OPTION

PS	Pressure sensitive foam (Reg. & L seats)	105
----	--	-----

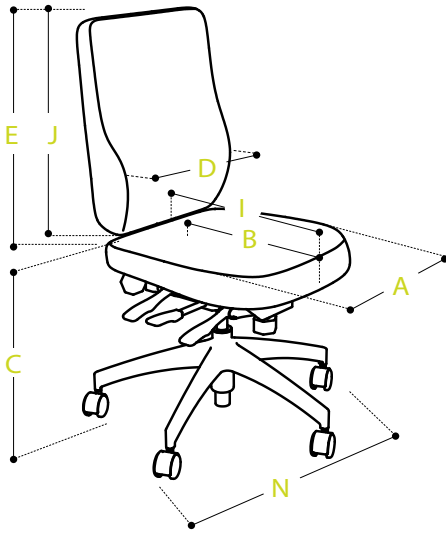
SEALED STITCHES

CSC	All models	160
-----	------------	-----

CONTRASTED STITCHES

CCC	Different coloured thread. For leather only (visible topstitching)	75
-----	--	----

Art Deco



Measures	A	B*	C	D	E	I	J*	N	Weight	Volume	COM
ADL	20	18 ^{1/2}	17-22	16	16	19 ^{1/2}	15-18	24	50	15	1.4
	51	47	43 - 56	40	40	50	38 - 46	60	22.7	0.42	1.3
ADH	20	18 ^{1/2}	17-22	16	21	19 ^{1/2}	20-23	24	50	16	1.5
	51	47	43 - 56	40	53	50	51 - 58	60	22.7	0.45	1.4
ADD	20	18 ^{1/2}	17-22	16	27	19 ^{1/2}	26-29	26	55	18	1.8
	51	47	43 - 56	40	69	50	66 - 74	66	25	0.51	1.7
ADE	20	18 ^{1/2}	17-22	16	30	19 ^{1/2}	29-32	26	59	20	1.9
	51	47	43 - 56	40	76	50	74 - 81	66	26.8	0.57	1.8

*B and J are respectively the effective depth of the seat and the effective height of the backrest

Imperial system (inches - pounds - cubic feet - yards)

Metric system (centimeters - kilograms- cubic meters- meters)

Bravo

Collection of 4 ergonomic and 4 multi-purpose models. Seat made of steel tubing with moulded foam and upholstered using the Suspension technique. Backrest made of black polypropylene and several mesh colors. The mesh can also be covered with fabric to match the seat. Seat slip covers equipped with zippers to allow for easy replacement. Many available options including multiple seat sizes.



Collection

Director



BRE



BUE

Ergonomic



BRH



BUH

Multi-purpose



BRH4




BRH6





BUH4




BUH6

BRH		COM					LEATHER
		A	B	C	D	E	
	S	760	780	800	820	840	1060
	H	780	800	820	840	860	1080
	X	855	875	895	915	935	1155
	SX	885	905	925	945	965	1185
	K	885	905	925	945	965	1185

BRE		COM					LEATHER
		A	B	C	D	E	
	S	845	865	885	905	925	1145
	H	865	885	905	925	945	1165
	X	940	960	980	1000	1020	1240
	SX	970	990	1010	1030	1050	1270
	K	970	990	1010	1030	1050	1270

BUH		COM					LEATHER
		A	B	C	D	E	
	S	850	870	890	910	930	1150
	H	870	890	910	930	950	1170
	X	945	965	985	1005	1025	1245
	SX	975	995	1015	1035	1055	1275
	K	975	995	1015	1035	1055	1275

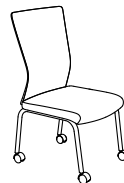
BUE		COM					LEATHER
		A	B	C	D	E	
	S	935	955	975	995	1015	1235
	H	955	975	995	1015	1035	1255
	X	1030	1050	1070	1090	1110	1330
	SX	1060	1080	1100	1120	1140	1360
	K	1060	1080	1100	1120	1140	1360



BRH4



BRH6



BUH4



BUH6

		COM					LEATHER
		A	B	C	D	E	
BRH4	Four-leg frame with casters	680	700	720	740	760	980
BRH6	Cantilever frame with glides and 56 armrests	755	775	795	815	835	1055
BUH4	Four-leg frame with casters	725	745	765	785	805	1025
BUH6	Cantilever frame with glides and 56 armrests	800	820	840	860	880	1100

MECHANISMS

S	Swivel, tilt, seat height adjustment	
H	Swivel, tilt, 0° lock, seat height adjustment	
X	Swivel, synchro tilt 2:1, 4 position lock, seat height adjustment	
SX	Swivel, synchro tilt 2:1, 4 position lock, seat height adjustment, seat slider	
K	Swivel, knee tilt, lock, seat height adjustment	

GAS LIFTS

80	Gas lift 80 mm	-
100	Gas lift 100 mm	-
120	Gas lift 120 mm	Standard
140	Gas lift 140 mm	30
200	8" stool kit standard with S mech. (H backrest). E mechanism available as an option (add \$100 to the price of S mech.)	170
250	10" stool kit standard with S mech. (H backrest). E mechanism available as an option (add \$100 to the price of S mech.)	170

SEAT

R	Regular seat	Standard
L	Large seat, 21" L x 20" P	65
S	Small seat, 19" L x 18" P	65

ARMRESTS

	01	Height, width, standard pad	170
	01L	Height, width, soft pad	180
	01S	Height, width, S pad	180
	02	Height, width, contoured pad	160
	05	Height, width, multi-pivot, contoured gel pad	360
Adjustable	96	Height, width, depth, pivot, polyurethane pad	190
	96F	Height, width, depth, polyurethane pad	220
	96G	Height, width, depth, pivot, soft pad	220
NEW	XEL	Height, width, standard pad	180
NEW	XEL99	Height, width, pads adjustable in width and depth	210
	FB	Front/back slider (#01,01L,02)	55
	H	1 1/2" longer structure (#01,01L,02,05)	50
Fixed	11	Polypropylene, C shape	130
	12	Polypropylene, T shape	130
	27	Polyurethane, C shape	160
	30	Polyurethane and black metal, closed C shape	160
	47	Polyurethane and black metal, C shape	150
	60	Polished aluminum, C shape with polyurethane insert	210
	77	Polished aluminum, T shape with polyurethane pad	230

FRAME FINISHES (BRH4,BHR6,BUH4,BUH6)

BL	Black	Standard	LB	Saphir	\$ 50/chair 4 chairs min.
SX	Black sandex	-	DB	Minuit	\$ 50/chair 4 chairs min.
CH	Charcoal	-	RD	Cardinal	\$ 50/chair 4 chairs min.
SG	Metallic grey	-	DR	Bordeaux	\$ 50/chair 4 chairs min.
WH	White	-	GR	Sauge	\$ 50/chair 4 chairs min.
WX	White sandex	-	GP	Sapin	\$ 50/chair 4 chairs min.
C	Polished chrome	\$ 105	OG	Terracotta	\$ 50/chair 4 chairs min.
PA	Polished chrome paint	\$ 50/chair 4 chairs min.	YC	Canari	\$ 50/chair 4 chairs min.

BASES AND CASTERS

SBL	Black nylon	Standard
HBL	Black nylon, high hub	-
AL	Polished aluminium	120
HAL	Polished aluminium, high hub	120
HW	Carpet casters	Standard
SW	Hard surface casters	20
IC	3" heavy duty casters for carpet	50
ICSW	3" heavy duty casters for hard surfaces	65
GL	Glides instead of casters	20

SEAT OPTION

PS	Pressure sensitive foam (Reg. & L seats)	105
----	--	-----

BACKREST MESH COLORS

SHX01	Black (standard Bravo)	Standard
SHX10	Grey (standard Bravo)	-
SHX20	White (standard Bravo)	-
MN	Black	-
MG	Grey	-
MK	Nickel	-
MM	Navy	-
ME	Electric	-
MC	Ocean	-
MV	Green	-
MR	Red	-
MO	Orange	-

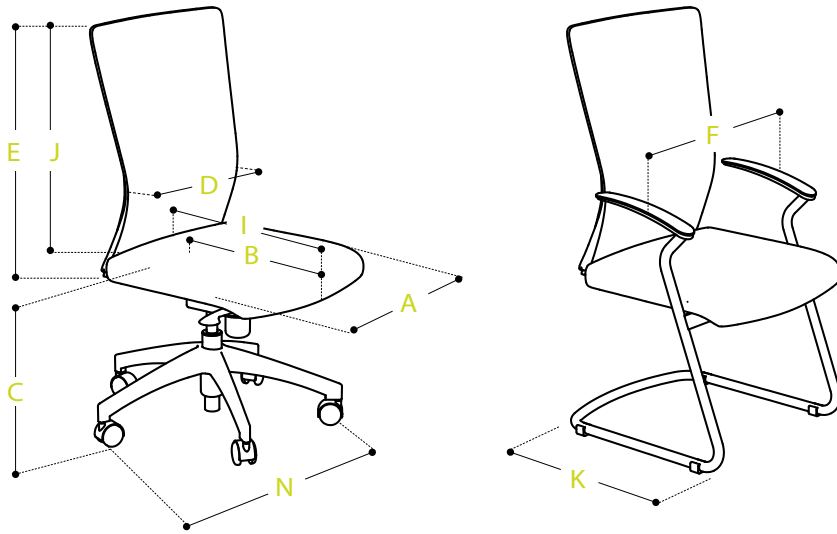
SEALED STITCHES

CSC	All models	160
-----	------------	-----

CONTRASTED STITCHES

CCC	Different coloured thread. For leather only (visible topstitching)	75
-----	--	----

Bravo



Measures	A	B*	C	D	E	F	I	J*	N	K	Weight	Volume	COM
BRH	19	18 ^{1/2}	17-22	18	25	-	19 ^{1/2}	21 ^{1/2}	24	-	41	14	1.0
	48	47	43-56	46	64	-	50	55	61	-	18.6	0.4	0.94
BRE	19	18 ^{1/2}	17-22	18	25	-	19 ^{1/2}	21 ^{1/2}	26	-	44	18	1.0
	48	47	43-56	46	64	-	50	55	66	-	20	0.51	0.91
BUH	19	18 ^{1/2}	17-22	18	25	-	19 ^{1/2}	21 ^{1/2}	24	-	43	14	1.0
	48	47	43-56	46	64	-	50	55	61	-	19.5	0.4	0.91
BUE	19	18 ^{1/2}	17-22	18	25	-	19 ^{1/2}	21 ^{1/2}	26	-	46	18	1.0
	48	47	43-56	46	64	-	50	55	66	-	20.9	0.51	0.91
BRH4	19	18 ^{1/2}	18	18	25	-	19 ^{1/2}	21 ^{1/2}	-	22	25	14	1.0
	48	47	46	46	64	-	50	55	-	56	11.3	0.4	0.91
BRH6	19	18 ^{1/2}	18	18	25	21 ^{1/2}	19 ^{1/2}	21 ^{1/2}	-	22	33	14	1.0
	48	47	46	46	64	55	50	55	-	56	15	0.4	0.91
BUH4	19	18 ^{1/2}	18	18	25	-	19 ^{1/2}	21 ^{1/2}	-	22	27	14	1.0
	48	47	46	46	64	-	50	55	-	56	12.2	0.4	0.91
BUH6	19	18 ^{1/2}	18	18	25	21 ^{1/2}	19 ^{1/2}	21 ^{1/2}	-	22	35	14	1.0
	48	47	46	46	64	55	50	55	-	56	15.9	0.4	0.91

*B and J are respectively the effective depth of the seat and the effective height of the backrest

Imperial system (inches - pounds - cubic feet - yards)

Metric system (centimeters - kilograms - cubic meters - meters)



Cat

Collection of 6 multi-purpose models, two of which built for the big and tall user, with a 500 lbs rated capacity. Seat and backrest made of steel tubing with moulded and cut foam and upholstered using the Suspension technique. Backrest also offered with a black, grey or white mesh. Seat slip covers equipped with zippers to allow for easy replacement. Many available options including a wide choice of frame finishes.



Collection

Multi-purpose



CA2



CA4



CH2



CH4



CB2



CB4



CA20

CA2	A	COM B	C	D	E	LEATHER
	490	520	550	580	610	990



Sled frame
Glides
Upholstered backrest

CA4	A	COM B	C	D	E	LEATHER
	490	520	550	580	610	990



Four-leg frame
Glides
Upholstered backrest

CH2	A	COM B	C	D	E	LEATHER
	440	460	480	500	520	740



Sled frame
Glides
Mesh backrest

CH4	A	COM B	C	D	E	LEATHER
	440	460	480	500	520	740



Four-leg frame
Glides
Mesh backrest

CB2	A	COM B	C	D	E
	730	770	810	850	890

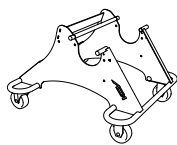


Sled frame
Glides
Upholstered backrest

CB4	A	COM B	C	D	E
	730	770	810	850	890



Four-leg frame
Glides
Upholstered backrest



Trolley

Capacity for 20 chairs (CA2-4, CH2-4)

FRAME FINISHES

BL	Black	Standard	LB	Saphir	\$ 50 4 chairs min.
SX	Black sandex	-	DB	Minuit	\$ 50 4 chairs min.
CH	Charcoal	-	RD	Cardinal	\$ 50 4 chairs min.
SG	Metallic grey	-	DR	Bordeaux	\$ 50 4 chairs min.
WH	White	-	GR	Sauge	\$ 50 4 chairs min.
WX	White sandex	-	GP	Sapin	\$ 50 4 chairs min.
C	Polished chrome	\$ 85	OG	Terracotta	\$ 50 4 chairs min.
PA	Polished chrome paint	\$ 50 4 chairs min.	YC	Canari	\$ 50 4 chairs min.

BASES AND CASTERS

LGL	Long glides (CA2, CH2)	20
CA	Casters (CA4, CH4)	20
SCA	Hard surface casters (CA4, CH4)	30

ARMRESTS

55	Black polyurethane - fixed	85
----	----------------------------	----

ACCESSORIES

53	Left side flip-up writing tablet made of birch plywood with high pressure laminate	320
54	Right side flip-up writing tablet made of birch plywood with high pressure laminate	320
BLL	Black laminate tablet	-
MAL	Maple laminate tablet	-
HG	Handling grip (CA2-4)	50
RO	Round upholstered back (CA2-4)	50
GMX	Ganging elements (for 2)	20

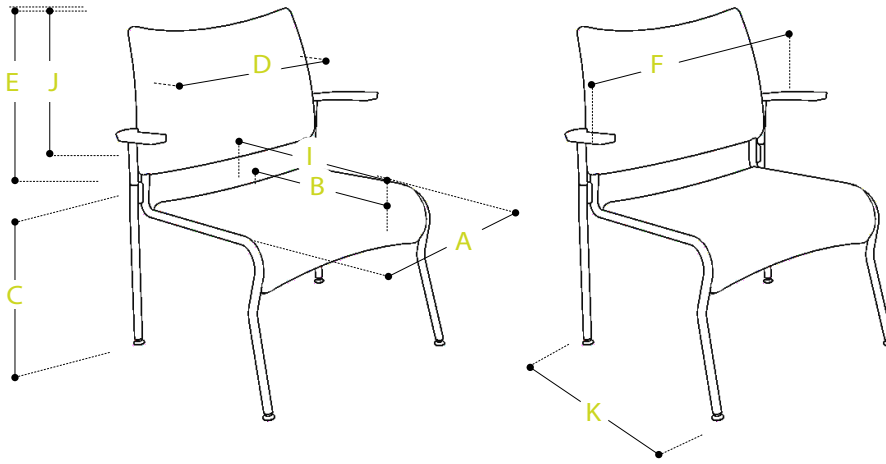
BACKREST

SHX01	Black mesh	Standard
SHX10	Grey mesh	-
SHX20	White mesh	-

CONTRASTED STITCHES (CA2,CA4,CH2,CH4)

CCC	Different coloured thread. For leather only (visible topstitching)	75
-----	--	----

Cat



Measures	A	B*	C	D	E	F	I	J*	K	Weight	Volume	COM
CA2	18	18	18	19	13	24 ^{1/2}	19	15	22	20	12	1.2
	46	46	46	48	33	62	48	38	56	9	0.34	1.1
CA4	18	18	18	19	13	24 ^{1/2}	19	15	23 ^{1/2}	19	12	1.2
	46	46	46	48	33	62	48	38	59	8.6	0.34	1.1
CH2	18	18	18	18	14	25	19	16 ^{1/2}	23 ^{1/2}	18	12	1.0
	46	46	46	46	36	64	48	42	59	8.2	0.34	0.9
CH4	18	18	18	18	14	25	19	16 ^{1/2}	20 ^{1/2}	16	12	1.0
	46	46	46	46	36	64	48	42	52	7.2	0.34	0.9
CB2	25	18 ^{1/2}	18 ^{1/2}	26	13	33 ^{1/2}	20 ^{1/2}	15	23 ^{1/2}	31	15	1.7
	64	47	47	66	36	85	52	38	59	14	0.42	1.6
CB2	25	18 ^{1/2}	18 ^{1/2}	26	13	33 ^{1/2}	20 ^{1/2}	15	20 ^{1/2}	30	15	1.7
	64	47	47	66	36	85	52	38	52	13.6	0.42	1.6
CA20	23	-	20	-	-	23	19	-	29	30	8	-
	58	-	51	-	-	58	48	-	74	13.6	0.23	-

*B and J are respectively the effective depth of the seat and the effective height of the backrest

Imperial system (inches - pounds - cubic feet - yards)

Metric system (centimeters - kilograms - cubic meters - meters)

Clover / Camélia

Collection of 6 multi-purpose models with monoshell and steel tubing construction. Seat and backrest made of maple moulded plywood. Many available options including seat upholstery, a wide choice of frame and wood finishes and a trolley.



Collection

Multi-purpose



CL4



CL7



CL8



CM4



CM7



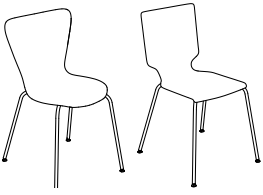
CM8



CL20

CL4 / CM4

CL4 / CM4 500



Stackable sled frame
Glides

CL8 / CM8

CL8 / CM8

570

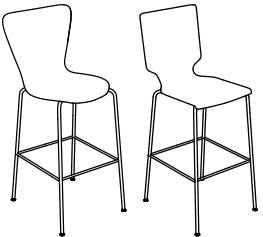


Counter height stool frame
Glides

CL7 / CM7

CL7 / CM7

580

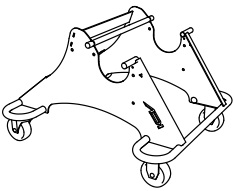


Bar height stool frame
Glides

CL20

CL20

580



Trolley
Capacity for 10 chairs
(without upholstered seat)

FINISHES

065	Natural maple	Standard
AC	Color upon request : minimum of 25 chairs	90
LOC	Laminated (standard products) minimum 25 chairs	130

FRAME FINISHES

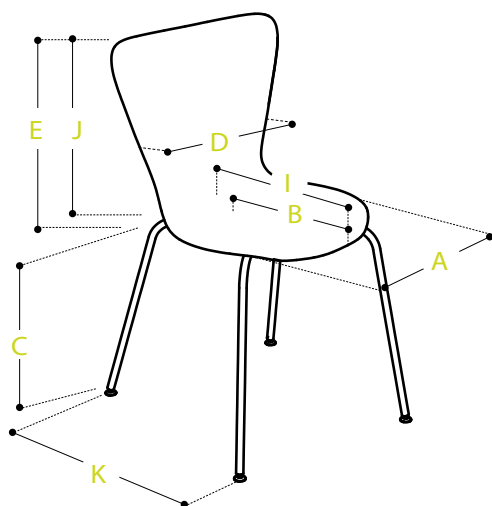
BL	Black	Standard	LB	Saphir	\$ 50/chair 4 chairs min.
SX	Black sandex	-	DB	Minuit	\$ 50/chair 4 chairs min.
CH	Charcoal	-	RD	Cardinal	\$ 50/chair 4 chairs min.
SG	Metallic grey	-	DR	Bordeaux	\$ 50/chair 4 chairs min.
WH	White	-	GR	Sauge	\$ 50/chair 4 chairs min.
WX	White sandex	-	GP	Sapin	\$ 50/chair 4 chairs min.
C	Polished chrome (CL4, CM4)	\$ 85	OG	Terracotta	\$ 50/chair 4 chairs min.
C	Polished chrome (CL7-8, CM7-8)	\$ 105	YC	Canari	\$ 50/chair 4 chairs min.
PA	Polished chrome paint	\$ 50/chair 4 chairs min.			

ACCESSORIES

NG	White nylon cap covering glides	12
----	---------------------------------	----

SEAT AND BACKREST

	Code	A	^{COM} B	C	D	E	COM
Upholstered seat 15" L x 14" P x 3/4" H	CPS	125	145	165	185	205	0.9



Measures	A	B*	C	D	E	I	J*	K	Weight	Volume
CL4	18	16	18	18	16	17	15	21	17	9
	46	40	46	46	40	43	38	53	7.7	0.25
CL7	18	16	24	18	16	17	15	21	20	11
	46	40	61	46	40	43	38	53	9	0.31
CL8	18	16	30	18	16	17	15	21	22	12
	46	40	76	46	40	43	38	53	10	0.34
CM4	16	16	18	16	17	17	17	21	17	9
	40	40	46	40	43	43	43	53	7.7	0.25
CM7	16	16	24	16	17	17	17	21	20	11
	40	40	61	40	43	43	43	53	9	0.31
CM8	16	16	30	16	17	17	17	21	22	12
	40	40	76	40	43	43	43	53	10	0.34
CL20	22	-	24	-	17	27	-	-	30	9
	56	-	60	-	43	69	-	-	13.6	0.25

*B and J are respectively the effective depth of the seat and the effective height of the backrest

Imperial system (inches - pounds - cubic feet - yards)

Metric system (centimeters - kilograms - cubic meters - meters)

Colori

Collection of 5 multi-purpose models made with steel tubing frame, wooden or star base. Seat and backrest made of black, gray, blue, orange, red, yellow or green polypropylene. Many options available including seat upholstery.



Collection

Multi-purpose



CO4R



CO4A



CO4B



COBP



COBE



CO7



CO8

CO4R

CO4R 345



Four-leg stackable frame
Glides

CO4A

CO4A 345



Four-leg stackable in A frame
Glides

CO4B

CO4B 315



Four-leg wooden frame

COBP

COBP 390



Swivel
Pyramid base

COBE

COBE 390



Swivel, seat height adjustment
Star base

CO7

CO7 450



Stool for 24" counter height with a
four-leg frame

CO8

CO8 470



Stool for 30" bar height with a four-
leg frame

GAS LIFTS

120	Gas lift 120 mm (COBE)	Standard
100	Gas lift 100 mm (COBE)	-
80	Gas lift 80 mm (COBE)	-

SHELL COLORS

PN	Black plastic	Standard
PG	Grey plastic	-
PB	Blue plastic	-
PO	Orange plastic	-
PR	Red plastic	-
PJ	Yellow plastic	-
PV	Green plastic	-

FRAME FINISHES (CO4R, CO4A, CO7, CO8)

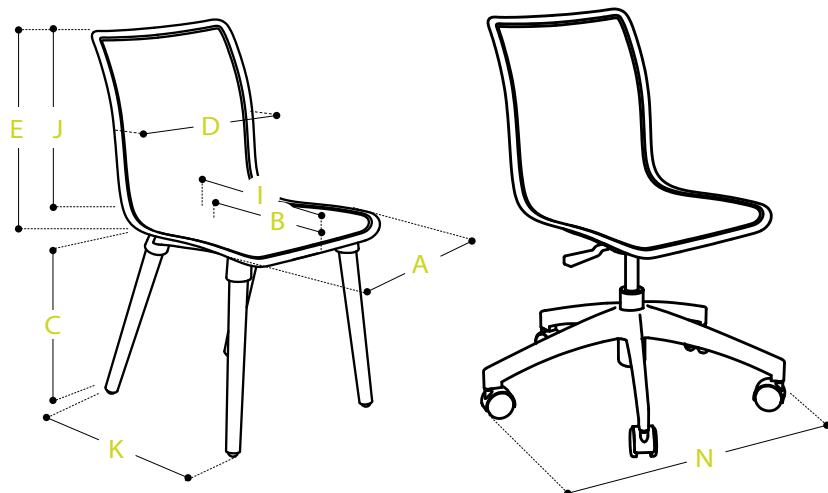
BL	Black	Standard	LB	Saphir	\$ 50/chair 4 chairs min.
SX	Black sandex	-	DB	Minuit	\$ 50/chair 4 chairs min.
CH	Charcoal	-	RD	Cardinal	\$ 50/chair 4 chairs min.
SG	Metallic grey	-	DR	Bordeaux	\$ 50/chair 4 chairs min.
WH	Blanc	-	GR	Sauge	\$ 50/chair 4 chairs min.
WX	Blanc sandex	-	GP	Sapin	\$ 50/chair 4 chairs min.
C	Polished chrome	\$ 85	OG	Terracotta	\$ 50/chair 4 chairs min.
C	Polished chrome	\$ 105	YC	Canari	\$ 50/chair 4 chairs min.
PA	Polished chrome paint	\$ 50/chair 4 chairs min.			

BASES AND CASTERS

SBL	Black nylon	Standard
HBL	Black nylon, high hub	-
AL	Polished aluminium	120
HW	Carpet casters	Standard
SW	Hard surface casters	20

SEAT AND BACKREST

	Code	A	^{COM} B	C	D	E	COM
Upholstered seat (15 ^{1/2} " L x 15 ^{1/2} " P x 1" H)	CPS	125	145	165	185	205	0.9



Measures	A	B*	C	D	E	I	J*	K	N	Weight	Volume
CO4R	17 ^{3/4}	15 ^{1/2}	18	16	16 ^{3/4}	16 ^{1/2}	17	20	-	12	8
	45	39	46	40	43	42	43	51	-	5.4	0.23
CO4A	17 ^{3/4}	15 ^{1/2}	18	16	16 ^{3/4}	16 ^{1/2}	17	22	-	12	9
	45	39	46	40	43	42	43	56	-	5.4	0.25
CO4B	17 ^{3/4}	15 ^{1/2}	18	16	16 ^{3/4}	16 ^{1/2}	17	19	-	10	8
	45	39	46	40	43	42	43	48	-	4.5	0.23
COBP	17 ^{3/4}	15 ^{1/2}	16 ^{1/2}	16	16 ^{3/4}	16 ^{1/2}	17	19	-	10	8
	45	39	42	40	43	42	43	48	-	4.5	0.23
COBE	17 ^{3/4}	15 ^{1/2}	13 ^{1/2} - 18 ^{1/2}	16	16 ^{3/4}	16 ^{1/2}	17	-	24	14	13
	45	39	34 - 47	40	43	42	43	-	60	6.4	0.37
CO7	17 ^{3/4}	15 ^{1/2}	23 ^{1/2}	16	16 ^{3/4}	16 ^{1/2}	17	22	-	15	11
	45	39	60	40	43	42	43	56	-	6.8	1
CO8	17 ^{3/4}	15 ^{1/2}	29 ^{1/2}	16	16 ^{3/4}	16 ^{1/2}	17	22	-	17	12
	45	39	75	40	43	42	43	56	-	7.7	1.1

Imperial system (inches - pounds - cubic feet - yards)

Metric system (centimeters - kilograms- cubic meters- meters)

Désir

Collection of 3 ergonomic models. Seat and backrest made of steel tubing with moulded and cut foam and upholstered using the Suspension technique. Seat slip covers equipped with zippers to allow for easy replacement. Many available options including an inflatable lumbar support and multiple seat sizes.



Collection

Director



DRD


Ergonomic





DRL



DRH

DRL		COM					LEATHER
		A	B	C	D	E	
 <p>Low backrest</p>	S	755	785	815	845	875	1255
	H	775	805	835	865	895	1275
	Z	795	825	855	885	915	1295
	MF	880	910	940	970	1000	1380
	SS	940	970	1000	1030	1060	1440
	SY	910	940	970	1000	1030	1410

DRH		COM					LEATHER
		A	B	C	D	E	
 <p>High backrest</p>	S	800	830	860	890	920	1300
	H	820	850	880	910	940	1320
	Z	840	870	900	930	960	1340
	MF	925	955	985	1015	1045	1425
	SS	985	1015	1045	1075	1105	1485
	SY	955	985	1015	1045	1075	1455
	K	925	955	985	1015	1045	1425
	P	1425	1455	1485	1515	1545	1925
	B	1320	1350	1380	1410	1440	1820

DRD		COM					LEATHER
		A	B	C	D	E	
 <p>Director backrest</p>	S	840	870	900	930	960	1340
	H	860	890	920	950	980	1360
	Z	880	910	940	970	1000	1380
	MF	965	995	1025	1055	1085	1465
	SS	1025	1055	1085	1115	1145	1525
	SY	995	1025	1055	1085	1115	1495
	K	965	995	1025	1055	1085	1465
	P	1465	1495	1525	1555	1585	1965
B	1360	1390	1420	1450	1480	1860	

MECHANISMS

S	Swivel, tilt, seat height adjustment
H	Swivel, tilt, 0° lock, seat height adjustment
Z	Swivel, synchro tilt 2:1, 0° lock, seat height adjustment
MF	Swivel, tilt, lock, seat height and backrest angle adjustment
SS	Swivel, tilt, lock, seat height and backrest angle adjustment, seat slider
SY	Swivel, synchro tilt 2:1, 4 position lock, seat slider, seat height adjustment
K	Swivel, knee tilt, lock, seat height adjustment
P	Swivel, knee tilt, lock, seat height and backrest angle adjustment
B	24/7 use, tilt, lock, seat height and backrest angle adjustment

BACKREST

SPB	Regular back upright	Standard
RB	Ratchet backrest (standard with B & SY mech.)	80
HPB2	2" extended back upright	30
HRB	2" extended back upright (ratchet)	30

GAS LIFTS

80	Gas lift 80 mm	-
100	Gas lift 100 mm	-
120	Gas lift 120 mm	-
140	Gas lift 140 mm	30
200	8" stool kit standard with S mech. (L & H backrests). E mechanism available as an option (add \$100 to the price of S mech.)	170
250	10" stool kit standard with S mech. (L & H backrests). E mechanism available as an option (add \$100 to the price of S mech.)	170

SEAT

R	Regular seat	Standard
L	Large seat, 21" L x 20" P	65
S	Small seat, 19" L x 18" P	65
XS	Extra small seat, 17" L x 17" P	65

ARMRESTS

	01	Height, width, standard pad	170
	01L	Height, width, soft pad	180
	01S	Height, width, S pad	180
	02	Height, width, contoured pad	160
	05	Height, width, multi-pivot, contoured gel pad	360
Adjustable	96	Height, width, depth, pivot, polyurethane pad	190
	96F	Height, width, depth, polyurethane pad	220
	96G	Height, width, depth, pivot, soft pad	220
NEW	XEL	Height, width, standard pad	180
NEW	XEL99	Height, width, pads adjustable in width and depth	210
	FB	Front/back slider (#01,01L,02)	55
	H	1 ^{1/2} " longer structure (#01,01L,02,05)	50

ARMRESTS

	11	Polypropylene, C shape	130
	12	Polypropylene, T shape	130
	27	Polyurethane, C shape	160
Fixed	30	Polyurethane and black metal, closed C shape	160
	47	Polyurethane and black metal, C shape	150
	60	Polished aluminum, C shape with polyurethane insert	210
	77	Polished aluminum, T shape with polyurethane pad	230

BASES AND CASTERS

SBL	Black nylon	Standard
HBL	Black nylon, high hub	-
AL	Polished aluminium (standard with B. mech.)	120
HAL	Polished aluminium, high hub	120
HW	Carpet casters	Standard
SW	Hard surface casters	20
IC	3" heavy duty casters for carpet (standard with B mech.)	50
ICSW	3" heavy duty casters for hard surfaces	65
GL	Glides instead of casters	20

BACKREST OPTION

LU	Inflatable lumbar support	105
----	---------------------------	-----

SEAT OPTION

PS	Pressure sensitive foam (Reg. & L seats)	105
----	--	-----

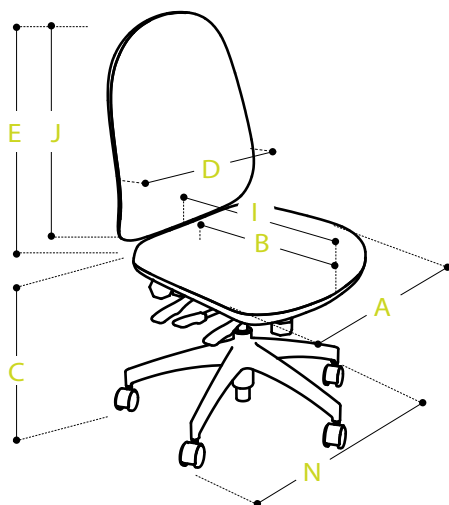
SEALED STITCHES

CSC	All models	160
-----	------------	-----

CONTRASTED STITCHES

CCC	Different coloured thread. For leather only (visible topstitching)	75
-----	--	----

Désir



Measures	A	B*	C	D	E	I	J*	N	Weight	Volume	COM
DRL	19 ^{1/2}	18 ^{1/2}	17-22	17	16	19 ^{1/2}	15-18	24	45	15	1.4
	50	47	43 - 56	43	40	50	38 - 46	60	20.4	0.42	1.3
DRH	19 ^{1/2}	18 ^{1/2}	17-22	17	21	19 ^{1/2}	20 - 23	24	48	17	1.5
	50	47	43 - 56	43	53	50	51 - 58	60	21.8	0.48	1.4
DRD	19 ^{1/2}	18 ^{1/2}	17-22	17	27	19 ^{1/2}	26 - 29	26	53	19	1.7
	50	47	43 - 56	43	69	50	66 - 74	66	24	0.54	1.6

*B and J are respectively the effective depth of the seat and the effective height of the backrest

Imperial system (inches - pounds - cubic feet - yards)

Metric system (centimeters - kilograms- cubic meters- meters)

Ergo-medic

Collection of 3 multi-purpose models. Seat and backrest made of steel tubing with moulded and cut foam and upholstered using the Suspension technique. Black metallic components.



Collection

Multi-purpose




ECH4





ECE4 / ECE4P




ECO4

ECH4	COM				
	A	B	C	D	E
	730	760	790	820	850
Four-leg frame Glides Upholstered backrest					

ECE4	COM				
	A	B	C	D	E
	880	910	940	970	1000
Four-leg frame Glides Upholstered backrest					

ECE4P	COM				
	A	B	C	D	E
	1010	1040	1070	1100	1130
Four-leg frame Glides Adjustable upholstered backrest					

ECO4	COM				
	A	B	C	D	E
	370	390	410	430	450
Four-leg frame Glides					

FRAME FINISHES

BL	Black	Standard
C	Chrome	95

BASES AND CASTERS

RBCA	Soft surface brake caster-standing (for 2)	40
RBCSW	Hard surface brake caster-standing (for 2)	40

ARMRESTS

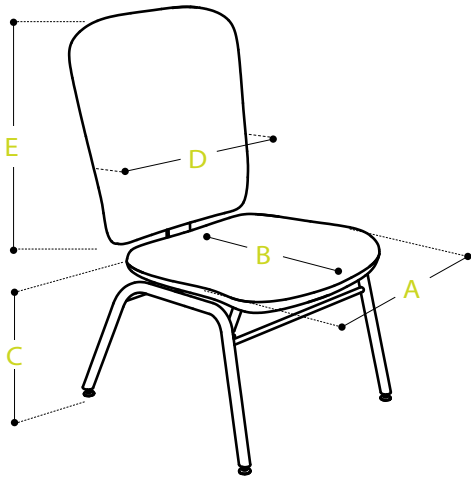
27	Black frame, black polyurethane armrest - fixed	160
----	---	-----

BACKREST OPTION

VH	Black vinyl removable headrest	55
----	--------------------------------	----

SEALED STITCHES

CSC	All models	160
-----	------------	-----



Measures	A	B*	C	D	E	Weight	Volume	COM
ECH4	19 ^{1/2}	17 ^{1/2}	18	18	20	45	18	1.9
	50	44	46	46	51	20.4	0.51	1.8
ECE4	19 ^{1/2}	17 ^{1/2}	18	18	28	48	20	2.0
	50	44	46	46	71	21.8	0.57	1.9
ECE4P	19 ^{1/2}	17 ^{1/2}	18	18	28	48	20	2.0
	50	44	46	46	71	21.8	0.57	1.9
ECO4	19 ^{1/2}	17 ^{1/2}	18	-	-	22	8	2.0
	50	44	46	-	-	10	0.23	1.9

*B and J are respectively the effective depth of the seat and the effective height of the backrest

Imperial system (inches - pounds - cubic feet - yards)

Metric system (centimeters - kilograms- cubic meters- meters)

Everest

Collection of 2 ergonomic models built for the big and tall user, with a 500 lbs rated capacity. Seat and backrest made of steel tubing with moulded and cut foam and upholstered using the Suspension technique. Heavy duty mechanism, gas lift, 27" polished aluminum base and 3" casters. Seat slip covers equipped with zippers to allow for easy replacement. Many available options including an inflatable lumbar support and multiple seat sizes.



Collection

Director



EVD

Ergonomic



EVH

EVH	COM						LEATHER
	A	B	C	D	E		
B	1530	1570	1610	1650	1690	2290	
SB	1600	1640	1680	1720	1760	2360	



High backrest

EVD	COM						LEATHER
	A	B	C	D	E		
B	1660	1700	1740	1780	1820	2420	
SB	1730	1770	1810	1850	1890	2490	



Director backrest

MECHANISMS

B	24/7 use, tilt, lock, seat height and backrest angle adjustment	
SB	24/7 use, tilt, lock, seat height and backrest angle adjustment, seat slider	

GAS LIFTS

80HD	80 mm heavy duty gas lift	Standard
100HD	100 mm heavy duty gas lift	50
120HD	120 mm heavy duty gas lift	50

SEAT

S	Short seat depth 24" L x 19" P	65
---	--------------------------------	----

ARMRESTS

	01	Height, width, standard pad	170
	01L	Height, width, soft pad	180
	01S	Height, width, S pad	180
	02	Height, width, contoured pad	160
	16	Retractable, height, width, multi-pivot, contoured gel pad	230
Adjustable	96	Height, width, depth, pivot, polyurethane pad	190
	96F	Height, width, depth, polyurethane pad	220
	96G	Height, width, depth, pivot, soft pad	220
NEW	XEL	Height, width, standard pad	55
NEW	XEL99	Height, width, pads adjustable in width and depth	180
	FB	Front/back slider (#01,01L,02,)	210
	H	1 ^{1/2} " longer structure (#01,01L,02)	50
	27	Polyurethane, C shape	160
	30	Polyurethane and black metal, closed C shape	160
Fixed	47	Polyurethane and black metal, C shape	150
	60	Polished aluminum, C shape with polyurethane insert	210
	77	Polished aluminum, T shape with polyurethane pad	230

BASES AND CASTERS

AL	Polished aluminium	Standard
IC	3" heavy duty carpet casters	Standard
ICSW	3" heavy duty hard surface casters	20

BACKREST

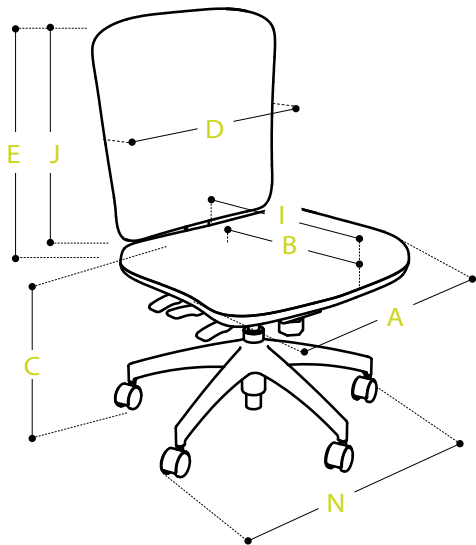
LU	Inflatable lumbar support	105
----	---------------------------	-----

SEALED STITCHES

CSC	All models	160
-----	------------	-----

CONTRASTED STITCHES

CCC	Different coloured thread. For leather only (visible topstitching)	75
-----	--	----



Measures	A	B*	C	D	E	I	J*	N	Weight	Volume	COM
EVH	24	20 ^{1/2}	20 - 25	18	20	20	22 - 25	27	76	20	1.8
	60	52	51 - 64	46	51	51	56 - 64	69	34.4	0.57	1.7
EVD	24	20 ^{1/2}	20 - 25	18	28	20	28 - 31	27	77	22	2.0
	60	52	51 - 64	46	71	51	71 - 78	69	35	0.62	1.9

*B and J are respectively the effective depth of the seat and the effective height of the backrest

Imperial system (inches - pounds - cubic feet - yards)

Metric system (centimeters - kilograms- cubic meters- meters)

Finesse

Collection of 3 multi-purpose models, one of which built for the big and tall user, with a 500 lbs rated capacity. Seat and backrest made of steel tubing with moulded and cut foam and upholstered using the Suspension technique. Backrest also offered with a black, grey or white mesh. Seat slip covers equipped with zippers to allow for easy replacement. Many available options including a wide choice of frame finishes.



Collection

Multi-purpose



FI4



FH4

Bariatric



FB4

FI4	COM					LEATHER
	A	B	C	D	E	
	555	585	615	645	675	1055



Four-leg frame
Glides
Upholstered backrest

FH4	COM					LEATHER
	A	B	C	D	E	
	525	545	565	585	605	825



Four-leg frame
Glides
Mesh backrest

FB4	COM					LEATHER
	A	B	C	D	E	
	840	880	920	960	1000	1600



Four-leg frame
Glides
Upholstered backrest

STRUCTURE FINISHES

BL	Black	Standard	LB	Saphir	\$ 50/chair 4 chairs min.
SX	Black sandex	-	DB	Minuit	\$ 50/chair 4 chairs min.
CH	Charcoal	-	RD	Cardinal	\$ 50/chair 4 chairs min.
SG	Metallic grey	-	DR	Bordeaux	\$ 50/chair 4 chairs min.
WH	White	-	GR	Sauge	\$ 50/chair 4 chairs min.
WX	White sandex	-	GP	Sapin	\$ 50/chair 4 chairs min.
C	Polished chrome	\$ 85	OG	Terracotta	\$ 50/chair 4 chairs min.
PA	Polished chrome paint	\$ 50/chair 4 chairs min.	YC	Canari	\$ 50/chair 4 chairs min.

CASTERS

CA	Casters	20
SCA	Hard surface casters	30

ARMRESTS

Fixed	50BL	Polypropylene black	55
	50DG	Dark grey polypropylene	55
	50LG	Pale grey polypropylene	55

ACCESSORIES

NG	White nylon cap covering glides	12
----	---------------------------------	----

SEALED STITCHES

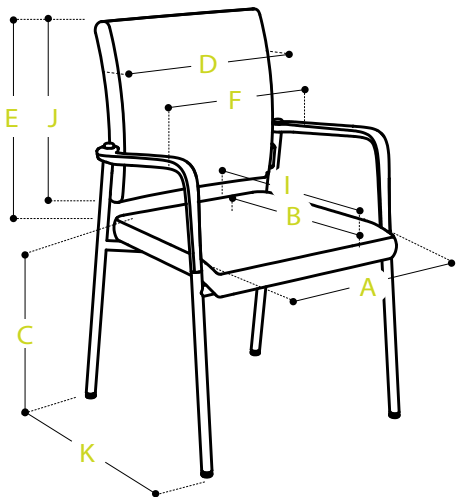
CSC	All models	160
-----	------------	-----

MESH COLORS

SHX01	Black mesh	Standard
SHX10	Grey mesh	-
SHX20	White mesh	-

CONTRASTED STITCHES

CCC	Different coloured thread. For leather only (visible topstitching)	75
-----	--	----



Measures	A	B*	C	D	E	F	I	J*	K	Weight	Volume	COM
FI4	20	17	19	19 ^{1/2}	16	25	18	17	22 ^{1/2}	26	13	1.2
	51	43	48	50	40	64	46	43	57	11.8	0.37	1.1
FH4	20	18 ^{1/2}	19	19 ^{1/2}	15	25	18	17	22 ^{1/2}	24	13	1.0
	51	47	48	50	38	64	46	43	57	10.8	0.37	0.9
FB4	25	18	19 ^{1/2}	25	16	31 ^{1/2}	19	17	24	29	17	1.0
	64	46	50	64	40	80	48	43	61	13.1	0.48	0.9

*B and J are respectively the effective depth of the seat and the effective height of the backrest

- Imperial system (inches - pounds - cubic feet - yards)
- Metric system (centimeters - kilograms- cubic meters- meters)

Flex

Collection of 4 ergonomic models. Seat and backrest made of steel tubing with moulded and cut foam and upholstered using the Suspension technique. Seat slip covers equipped with zippers to allow for easy replacement. Many available options including an inflatable lumbar support and multiple seat sizes.



Collection

Director



FXD



FXE


Ergonomic




FXL




FXH

FXL		COM					LEATHER
		A	B	C	D	E	
	S	755	785	815	845	875	1255
	H	775	805	835	865	895	1275
	Z	795	825	855	885	915	1295
	MF	880	910	940	970	1000	1380
	SS	940	970	1000	1030	1060	1440
	SY	910	940	970	1000	1030	1410


Low backrest

FXH		COM					LEATHER
		A	B	C	D	E	
	S	800	830	860	890	920	1300
	H	820	850	880	910	940	1320
	Z	840	870	900	930	960	1340
	MF	925	955	985	1015	1045	1425
	SS	985	1015	1045	1075	1105	1485
	SY	955	985	1015	1045	1075	1455
	K	925	955	985	1015	1045	1425
	P	1425	1455	1485	1515	1545	1925
B	1320	1350	1380	1410	1440	1820	

High backrest

FXD		COM					LEATHER
		A	B	C	D	E	
	S	840	870	900	930	960	1340
	H	860	890	920	950	980	1360
	Z	880	910	940	970	1000	1380
	MF	965	995	1025	1055	1085	1465
	SS	1025	1055	1085	1115	1145	1525
	SY	995	1025	1055	1085	1115	1495
	K	965	995	1025	1055	1085	1465
	P	1465	1495	1525	1555	1585	1965
B	1360	1390	1420	1450	1480	1860	

Director backrest

FXE		COM					LEATHER
		A	B	C	D	E	
	S	885	915	945	975	1005	1385
	H	905	935	965	995	1025	1405
	Z	925	955	985	1015	1045	1425
	MF	1010	1040	1070	1100	1130	1510
	SS	1070	1100	1130	1160	1190	1570
	SY	1040	1070	1100	1130	1160	1540
	K	1010	1040	1070	1100	1130	1510
	P	1510	1540	1570	1600	1630	2010
B	1405	1435	1465	1495	1525	1905	

Executive backrest

MECHANISMS

S	Swivel, tilt, seat height adjustment
H	Swivel, tilt, 0° lock, seat height adjustment
Z	Swivel, synchro tilt 2:1, 0° lock, seat height adjustment
MF	Swivel, tilt, lock, seat height and backrest angle adjustment
SS	Swivel, tilt, lock, seat height and backrest angle adjustment, seat slider
SY	Swivel, synchro tilt 2:1, 4 position lock, seat slider, seat height adjustment
K	Swivel, knee tilt, lock, seat height adjustment
P	Swivel, knee tilt, lock, seat height and backrest angle adjustment
B	24/7 use, tilt, lock, seat height and backrest angle adjustment

BACKREST

SPB	Regular back upright	Standard
RB	Ratchet backrest (standard with B & SY mech.)	80
HPB2	2" extended back upright	30
HRB	2" extended back upright (ratchet)	30

GAS LIFTS

80	Gas lift 80 mm	-
100	Gas lift 100 mm	-
120	Gas lift 120 mm	-
140	Gas lift 140 mm	30
200	8" stool kit standard with S mech. (L & H backrests). E mechanism available as an option (add \$100 to the price of S mech.)	170
250	10" stool kit standard with S mech. (L & H backrests). E mechanism available as an option (add \$100 to the price of S mech.)	170

SEAT

R	Regular seat	Standard
L	Large seat, 21" L x 20" P	65
S	Small seat, 19" L x 18" P	65
XS	Extra small seat, 17" L x 17" P	65

ARMRESTS

	01	Height, width, standard pad	170
	01L	Height, width, soft pad	180
	01S	Height, width, S pad	180
	02	Height, width, contoured pad	160
	05	Height, width, multi-pivot, contoured gel pad	360
Adjustable	96	Height, width, depth, pivot, polyurethane pad	190
	96F	Height, width, depth, polyurethane pad	220
	96G	Height, width, depth, pivot, soft pad	220
NEW	XEL	Height, width, standard pad	180
NEW	XEL99	Height, width, pads adjustable in width and depth	210
	FB	Front/back slider (#01,01L,02)	55
	H	1 ^{1/2} " longer structure (#01,01L,02,05)	50

ARMRESTS

	11	Polypropylene, C shape	130
	12	Polypropylene, T shape	130
	27	Polyurethane, C shape	160
Fixed	30	Polyurethane and black metal, closed C shape	160
	47	Polyurethane and black metal, C shape	150
	60	Polished aluminum, C shape with polyurethane insert	210
	77	Polished aluminum, T shape with polyurethane pad	230

BASES AND CASTERS

SBL	Black nylon	Standard
HBL	Black nylon, high hub	-
AL	Polished aluminium (standard with mech. B)	120
HAL	Polished aluminium, high hub	120
HW	Carpet casters	Standard
SW	Hard surface casters	20
IC	3" heavy duty casters for carpet (standard with mech. B)	50
ICSW	3" heavy duty casters for hard surfaces	65
GL	Glides instead of casters	20

BACKREST OPTION

LU	Inflatable lumbar support	105
----	---------------------------	-----

SEAT OPTION

PS	Pressure sensitive foam (Reg. & L seats)	105
----	--	-----

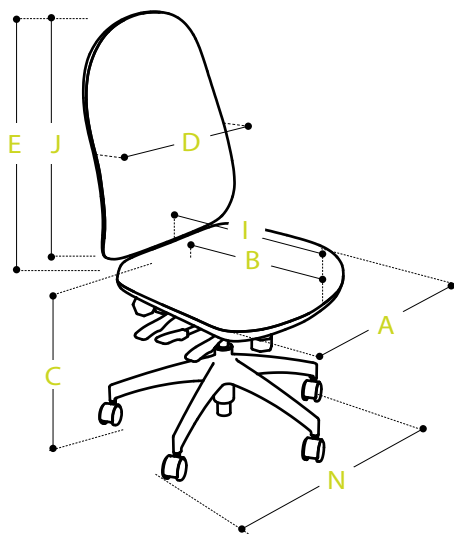
SEALED STITCHES

CSC	All models	160
-----	------------	-----

CONTRASTED STITCHES

CCC	Different coloured thread. For leather only (visible topstitching)	75
-----	--	----

Flex



Measures	A	B*	C	D	E	I	J*	N	Weight	Volume	COM
FXL	19 ^{1/2}	18 ^{1/2}	17 ^{1/2} - 22 ^{1/2}	17	16	19 ^{1/2}	15 - 18	24	45	15	1.3
	50	47	44 - 57	43	40	50	38 - 46	60	20.4	0.42	1.2
XH	19 ^{1/2}	18 ^{1/2}	17 ^{1/2} - 22 ^{1/2}	17	21	19 ^{1/2}	20 - 23	24	48	16	1.4
	50	47	44 - 57	43	53	50	51 - 58	60	21.8	0.43	1.3
FXD	19 ^{1/2}	18 ^{1/2}	17 ^{1/2} - 22 ^{1/2}	17	27	19 ^{1/2}	26 - 29	26	53	19	1.6
	50	47	44 - 57	43	69	50	66 - 74	66	24	0.54	1.5
FXE	19 ^{1/2}	18 ^{1/2}	17 ^{1/2} - 22 ^{1/2}	17	31	19 ^{1/2}	30 - 33	26	56	20	1.7
	50	47	44 - 57	43	79	50	76 - 84	66	25.4	0.57	1.6

*B and J are respectively the effective depth of the seat and the effective height of the backrest

Imperial system (inches - pounds - cubic feet - yards)

Metric system (centimeters - kilograms- cubic meters- meters)

Golf

Collection of 5 multi-purpose models with monoshell and steel tubing construction. Seat and backrest made of maple moulded plywood. Many available options including seat upholstery, a wide choice of frame and wood finishes and a trolley.



Collection

Multi-purpose



G02S



G04S



G07



G08



G09

Trolley



G020

GO2S

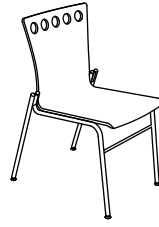
GO2S 570



Stackable sled frame
Glides

GO4S

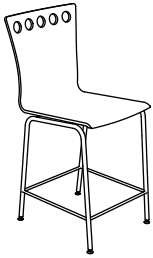
GO4S 570



Stackable four-leg frame
Glides

GO7

GO7 640



Counter height stool
Glides

GO8

GO8 650



Counter height stool
Glides

GO9

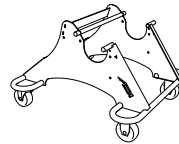
GO9 640



Counter height stool
Glides
Short backrest

GO20

GO20 580



Trolley
Capacity for 10 chairs
(without upholstered seat)

FINISHES

065	Natural maple	Standard
AC	Color on request : minimum of 25 chairs	90
LOC	Laminated (standard products) : minimum of 25 chairs	130

FRAME FINISHES

BL	Black	Standard	LB	Saphir	\$ 50/chair 4 chairs min.
SX	Black sandex	-	DB	Minuit	\$ 50/chair 4 chairs min.
CH	Charcoal	-	RD	Cardinal	\$ 50/chair 4 chairs min.
SG	Metallic grey	-	DR	Bordeaux	\$ 50/chair 4 chairs min.
WH	White	-	GR	Sauge	\$ 50/chair 4 chairs min.
SX	White sandex	-	GP	Sapin	\$ 50/chair 4 chairs min.
C	Polished chrome (GO2S, GO4S)	\$ 85	OG	Terracotta	\$ 50/chair 4 chairs min.
C	Polished chrome (GO7-8-9)	\$ 105	YC	Canari	\$ 50/chair 4 chairs min.
PA	Polished chrome paint	\$ 50/chair 4 chairs min.			

ARMRESTS

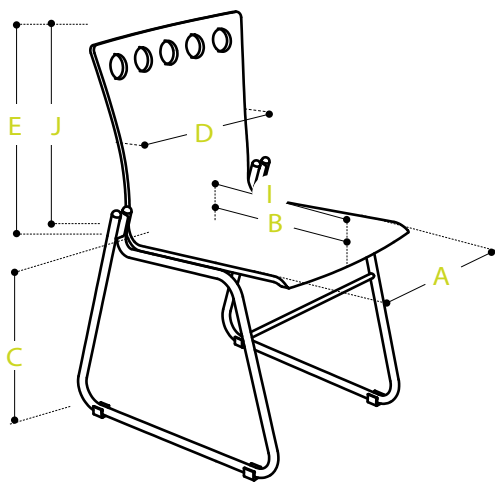
55	Black polyurethane - fixed	80
----	----------------------------	----

ACCESSORIES

53	Left side writing tablet made of ¾" birch plywood with high pressure laminate top and clear varnish edge.	320
54	Right side writing tablet made of ¾" birch plywood with high pressure laminate top and clear varnish edge.	320
BLL	Black laminate tablet	-
MAL	Maple laminate tablet	-
GMX	Ganging elements (for 2)	20
NG	White nylon cap covering glides	12

SEAT

	Code	A	COM B	C	D	E	COM
Upholstered seat 15" L x 14" P x 3/4" H	CPS	125	145	165	185	205	0.9



Measures	A	B*	C	D	E	I	J*	Weight	Volume
G02S	16	16	18	17	17	17	16	20	11
	40	40	46	43	43	43	40	9	0.31
G04S	16	16	18	17	17	17	16	18	11
	40	40	46	43	43	43	40	8.2	0.31
G07	16	16	23 ^{1/2}	17	17	17	16	21	11
	40	40	60	43	43	43	40	9.5	0.31
G08	16	16	29 ^{1/2}	17	17	17	16	23	12
	40	40	75	43	43	43	40	10.4	0.34
G09	16	16	23 ^{1/2}	17	5	17	4	23	10
	40	40	60	43	13	43	10	10.4	0.28
G020	22	-	-	-	-	27	-	30	9
	56	-	-	-	-	69	-	13.6	0.25

*B and J are respectively the effective depth of the seat and the effective height of the backrest

Imperial system (inches - pounds - cubic feet - yards)

Metric system (centimeters - kilograms- cubic meters- meters)

Lab

Collection of 4 multi-purpose models available with a footring and choice of gas lifts.



Collection

Stool



TBO



SD



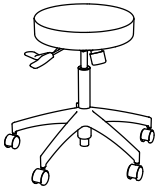
HS



LBL

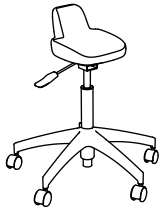
TBO

A	^{COM} B	C	D	E
400	420	440	460	480



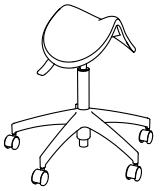
SD

420



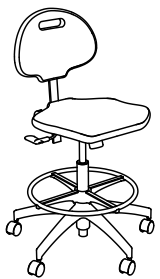
HS

440



LBL

R 680



MECHANISMS

R	Swivel mechanism, adjustable height/depth of the back, optional circular footring	
---	---	--

GAS LIFTS

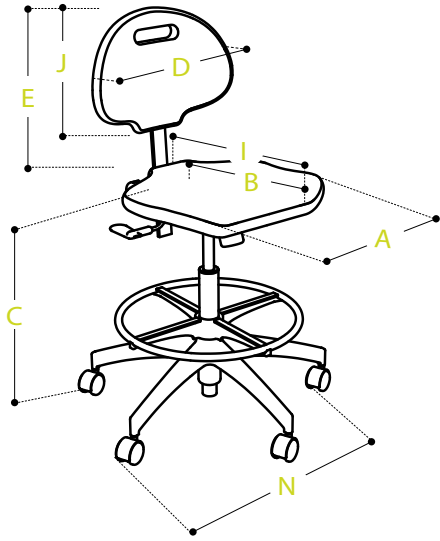
80	Gas lift 80 mm (non-available FR option)	-
100	Gas lift 100 mm (non-available FR option)	-
120	Gas lift 120 mm	-
140	Gas lift 140 mm	30
200C	Gas lift 200 mm	40
250C	Gas lift 250 mm	40
200	8" stool kit (includes circular footring)	170
250	10" stool kit (includes circular footring)	170

BASES AND CASTERS

SBL	Black nylon	Standard
AL	Polished aluminium (standard with mech. B)	120
FR	Adjustable footring	130
HW	Carpet casters	Standard
SW	Hard surface casters	20
GL	Glides instead of casters	20

SEALED STITCHES

CSC	Only available on TBO	160
-----	-----------------------	-----



Measures	A	B*	C	D	E	I	J*	N	Weight	Volume	COM
TBO	16 ^{1/2}	-	18 - 23	-	-	16 ^{1/2}	-	24	19	9	1.0
	42	-	46 - 58	-	-	42	-	61	8.6	0.25	0.9
SD	13	-	18 - 23	-	-	8	-	24	20	11	
	33	-	46 - 58	-	-	20	-	61	9	0.31	
HS	17 ^{1/2}	-	18 - 23	-	-	14	-	24	17	11	
	44	-	46 - 58	-	-	36	-	61	7.7	0.31	
LBL	18	18	18 - 23	16	12 - 15	17	11 - 14	26	34	14	
	46	46	46 - 58	40	30 - 38	43	28 - 35	66	15.4	0.4	

*B and J are respectively the effective depth of the seat and the effective height of the backrest

Imperial system (inches - pounds - cubic feet - yards)

Metric system (centimeters - kilograms - cubic meters - meters)

Lynx

Collection of 3 ergonomic models. Seat and backrest made of steel tubing with moulded and cut foam and upholstered using the Suspension technique. Seat slip covers equipped with zippers to allow for easy replacement. Many available options including an inflatable lumbar support and multiple seat sizes.



Collection

Director



LXE


Ergonomic




LXL



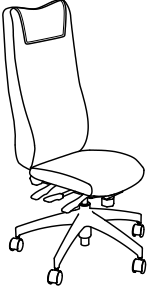
LXH

LXL		COM					LEATHER
		A	B	C	D	E	
	S	835	865	895	925	955	1335
	H	855	885	915	945	975	1355
	Z	875	905	935	965	995	1375
	MF	960	990	1020	1050	1080	1460
	SS	1020	1050	1080	1110	1140	1520
	SY	990	1020	1050	1080	1110	1490

Low backrest

LXH		COM					LEATHER
		A	B	C	D	E	
	S	880	910	940	970	1000	1380
	H	900	930	960	990	1020	1400
	Z	920	950	980	1010	1040	1420
	MF	1005	1035	1065	1095	1125	1505
	SS	1065	1095	1125	1155	1185	1565
	SY	1035	1065	1095	1125	1155	1535
	K	1005	1035	1065	1095	1125	1505
	P	1505	1535	1565	1595	1625	2005
	B	1400	1430	1460	1490	1520	1900

High backrest

LXE		COM					LEATHER
		A	B	C	D	E	
	S	1005	1035	1065	1095	1125	1505
	H	1025	1055	1085	1115	1145	1525
	Z	1045	1075	1105	1135	1165	1545
	MF	1130	1160	1190	1220	1250	1630
	SS	1190	1220	1250	1280	1310	1690
	SY	1160	1190	1220	1250	1280	1660
	K	1130	1160	1190	1220	1250	1630
	P	1630	1660	1690	1720	1750	2130
	B	1525	1555	1585	1615	1645	2025

Executive backrest

MECHANISMS

S	Swivel, tilt, seat height adjustment
H	Swivel, tilt, 0° lock, seat height adjustment
Z	Swivel, synchro tilt 2:1, 0° lock, seat height adjustment
MF	Swivel, tilt, lock, seat height and backrest angle adjustment
SS	Swivel, tilt, lock, seat height and backrest angle adjustment, seat slider
SY	Swivel, synchro tilt 2:1, 4 position lock, seat slider, seat height adjustment
K	Swivel, knee tilt, lock, seat height adjustment
P	Swivel, knee tilt, lock, seat height and backrest angle adjustment
B	24/7 use, tilt, lock, seat height and backrest angle adjustment

BACKREST

SPB	Regular back upright	Standard
RB	Ratchet backrest (standard with B & SY mech.)	80
HPB2	2" extended back upright	30
HRB	2" extended back upright (ratchet)	30

GAS LIFTS

80	Gas lift 80 mm	-
100	Gas lift 100 mm	-
120	Gas lift 120 mm	-
140	Gas lift 140 mm	30
200	8" stool kit standard with S mech. (L & H backrests). E mechanism available as an option (add \$100 to the price of S mech.)	170
250	10" stool kit standard with S mech. (L & H backrests). E mechanism available as an option (add \$100 to the price of S mech.)	170

SEAT

R	Regular seat	Standard
L	Large seat, 21" L x 20" P	65
S	Small seat, 19"L x 18" P	65

ARMRESTS

	01	Height, width, standard pad	170
	01L	Height, width, soft pad	180
	01S	Height, width, S pad	180
	02	Height, width, contoured pad	160
	05	Height, width, multi-pivot, contoured gel pad	360
Adjustable	96	Height, width, depth, pivot, polyurethane pad	190
	96F	Height, width, depth, polyurethane pad	220
	96G	Height, width, depth, pivot, soft pad	220
NEW	XEL	Height, width, standard pad	180
NEW	XEL99	Height, width, pads adjustable in width and depth	210
	FB	Front/back slider (#01,01L,02)	55
	H	1 ^{1/2} ' longer structure (#01,01L,02,05)	50

ARMRESTS

	11	Polypropylene, C shape	130
	12	Polypropylene, T shape	130
	27	Polyurethane, C shape	160
Fixed	30	Polyurethane and black metal, closed C shape	160
	47	Polyurethane and black metal, C shape	150
	60	Polished aluminum, C shape with polyurethane insert	210
	77	Polished aluminum, T shape with polyurethane pad	230

BASES AND CASTERS

SBL	Black nylon	Standard
HBL	Black nylon, high hub	-
AL	Polished aluminium (standard with mech. B)	120
HAL	Polished aluminium, high hub	120
HW	Carpet casters	Standard
SW	Hard surface casters	20
IC	3" heavy duty casters for carpet (standard with mech. B)	50
ICSW	3" heavy duty casters	65
GL	Glides instead of casters	20

BACKREST OPTION

LU	Inflatable lumbar support	105
----	---------------------------	-----

SEAT OPTION

PS	Pressure sensitive foam (Reg. & L seats)	105
----	--	-----

HEADREST OPTIONS

PI	Headrest (E backrest)	65
VPI	Removable headrest (E backrest)	65

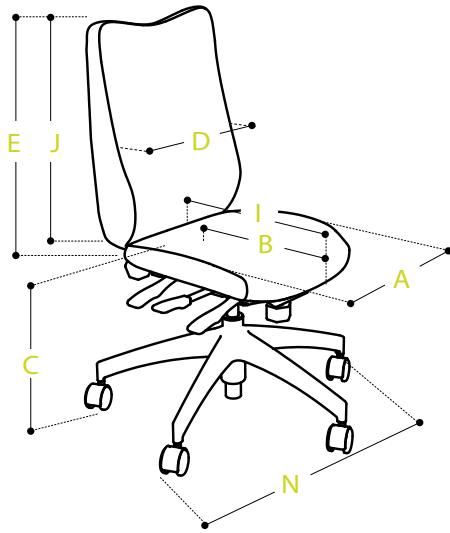
SEALED STITCHES

CSC	All models	160
-----	------------	-----

CONTRASTED STITCHES

CCC	Different coloured thread. For leather only (visible topstitching)	75
-----	--	----

Lynx



Measures	A	B*	C	D	E	I	J*	N	Weight	Volume	COM
LXL	20	18	17 ^{1/2} - 22 ^{1/2}	19	20	19	19 - 22	24	52	15	1.3
	51	46	44 - 57	48	51	48	48 - 56	60	23.6	0.42	1.2
LXH	20	18	17 ^{1/2} - 22 ^{1/2}	19	24	19	23 - 26	24	54	17	1.5
	51	46	44 - 57	48	60	48	58 - 66	60	24.5	0.48	1.3
LXE	20	18	17 ^{1/2} - 22 ^{1/2}	19	33	19	32 - 35	26	55	20	1.7
	51	46	44 - 57	48	84	48	81 - 89	66	25	0.57	1.6

*B and J are respectively the effective depth of the seat and the effective height of the backrest

Imperial system (inches - pounds - cubic feet - yards)

Metric system (centimeters - kilograms- cubic meters- meters)

Malla

Collection of 1 ergonomic and 2 multi-purpose models. Seat made of steel tubing with moulded foam and upholstered using the Suspension technique. Backrest made of black polypropylene and aluminum and a black or grey mesh. Seat slip covers equipped with zippers to allow for easy replacement. Many available options including a height adjustable lumbar support and multiple seat sizes.



Collection

Conference



MLH

Multi-purpose



MLH4



MLH6

MLH

COM

	A	B	C	D	E	LEATHER
S	820	840	860	880	900	1120
H	840	860	880	900	920	1140
Z	860	880	900	920	940	1160
MF	945	965	985	1005	1025	1245
SS	1005	1025	1045	1065	1085	1305
SY	975	995	1015	1035	1055	1275
K	945	965	985	1005	1025	1245
P	1445	1465	1485	1505	1525	1745
B	1340	1360	1380	1400	1420	1640



High backrest
Mesh backrest



MLH4



MLH6

		A	B	C	D	E	LEATHER
MLH4	Four-leg frame with casters	760	780	800	820	840	1060
MLH6	Cantilever frame with glides and 56 armrests	840	860	880	900	920	1140

MECHANISMS

S	Swivel, tilt, seat height adjustment
H	Swivel, tilt, 0° lock, seat height adjustment
Z	Swivel, synchro tilt 2:1, 0° lock, seat height adjustment
MF	Swivel, tilt, lock, seat height and backrest angle adjustment
SS	Swivel, tilt, lock, seat height and backrest angle adjustment, seat slider
SY	Swivel, synchro tilt 2:1, 4 position lock, seat slider, seat height adjustment
K	Swivel, knee tilt, lock, seat height adjustment
P	Swivel, knee tilt, lock, seat height and backrest angle adjustment
B	24/7 use, tilt, lock, seat height and backrest angle adjustment

GAS LIFTS

80	Gas lift 80 mm	-
100	Gas lift 100 mm	-
120	Gas lift 120 mm	-
140	Gas lift 140 mm	30
200	8" stool kit standard with S mech. E mechanism available as an option (add \$100 to the price of S mech.)	170
250	10" stool kit standard with S mech. E mechanism available as an option (add \$100 to the price of S mech.)	170

SEAT

R	Regular seat	Standard
L	Large seat, 21" L x 20" P	65
S	Small seat, 18" L x 17.5" P	65

ARMRESTS

	01	Height, width, standard pad	170
	01L	Height, width, soft pad	180
	01S	Height, width, S pad	180
	02	Height, width, contoured pad	160
	05	Height, width, multi-pivot, contoured gel pad	360
Adjustable	96	Height, width, depth, pivot, polyurethane pad	190
	96F	Height, width, depth, polyurethane pad	220
NEW	96G	Height, width, depth, pivot, soft pad	220
NEW	XEL	Height, width, depth, lockable pivot, polyurethane pad	180
	XEL99	Height, width, pads adjustable in width and depth	210
	FB	Front/back slider (#01,01L,02)	55
	H	1 ^{1/2} " longer structure (#01,01L,02,05)	50

ARMRESTS

	11	Polypropylene, C shape	130
	12	Polypropylene, T shape	130
	27	Polyurethane, C shape	160
Fixed	30	Polyurethane and black metal, closed C shape	160
	47	Polyurethane and black metal, C shape	150
	60	Polished aluminum, C shape with polyurethane insert	210
	77	Polished aluminum, T shape with polyurethane pad	230

FRAME FINISHES

SX	Black sandex	-
C	Chrome	105

BASES AND CASTERS

SBL	Black nylon	Standard
HBL	Black nylon, high hub	-
AL	Polished aluminium (standard with mech. B)	120
HAL	Polished aluminium, high hub	120
HW	Carpet casters	Standard
SW	Hard surface casters	20
IC	3" heavy duty casters for carpet (standard with mech. B)	50
ICSW	3" heavy duty casters	65
GL	Glides instead of casters	20

BACKREST OPTION

LU	Adjustable lumbar support	105
----	---------------------------	-----

SEAT OPTION

PS	Pressure sensitive foam (Reg. & L seats)	105
----	--	-----

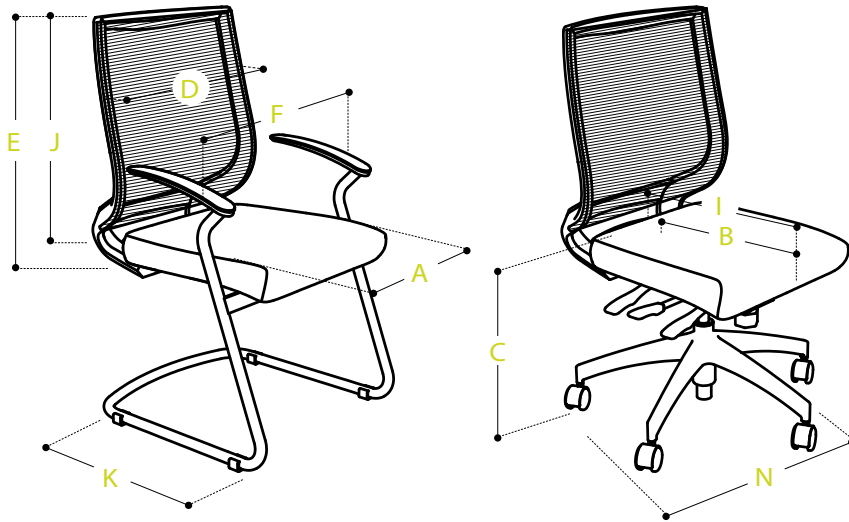
BACKREST

B9041	Black mesh	Standard
G9040	Grey mesh	-

CONTRASTED STITCHES

CCC	Different coloured thread. For leather only (visible topstitching)	75
-----	--	----

Malla



Measures	A	B*	C	D	E	F	I	J*	K	N	Weight	Volume	COM
MLL	19	18	17 ^{1/2} - 22 ^{1/2}	19 ^{1/2}	23	-	19 ^{1/2}	22	-	24	49	16	1.0
	48	46	44-57	50	58	-	50	56	-	60	22.2	0.45	0.9
MLH4	19	18	18	19 ^{1/2}	23	-	19 ^{1/2}	22	24	-	34	16	1.0
	48	46	46	50	58	-	50	56	60	-	15.4	0.45	0.9
MLH6	19	18	18	19 ^{1/2}	23	23 ^{1/2}	19 ^{1/2}	22	24	-	26	16	1.0
	48	46	46	50	58	60	50	56	60	-	11.8	0.45	0.9

*B and J are respectively the effective depth of the seat and the effective height of the backrest

Imperial system (inches - pounds - cubic feet - yards)

Metric system (centimeters - kilograms - cubic meters - meters)

Miniflex

Collection of 2 multi-purpose models. Seat and backrest made of steel tubing with moulded and cut foam and upholstered using the Suspension technique. Seat slip covers equipped with zippers to allow for easy replacement. Many available options including a wide choice of frame finishes and a writing tablet.



Collection

Multi-purpose



MX2S



MX4S

Trolley



MX20

MX2S

A	^{COM} B	C	D	E	LEATHER
440	470	500	530	560	940



Stackable sled frame
Glides

MX4S

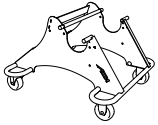
A	^{COM} B	C	D	E	LEATHER
440	470	500	530	560	940



Stackable four-leg frame
Glides

MX20

580



Trolley
Capacity for 20 chairs

FRAME FINISHES

BL	Black	Standard	LB	Saphir	\$ 50/chair 4 chairs min.
SX	Black sandex	-	DB	Minuit	\$ 50/chair 4 chairs min.
CH	Charcoal	-	RD	Cardinal	\$ 50/chair 4 chairs min.
SG	Metallic grey	-	DR	Bordeaux	\$ 50/chair 4 chairs min.
WH	White	-	GR	Sauge	\$ 50/chair 4 chairs min.
WX	White sandex	-	GP	Sapin	\$ 50/chair 4 chairs min.
C	Polished chrome	\$ 85	OG	Terracotta	\$ 50/chair 4 chairs min.
PA	Polished chrome paint	\$ 50/chair 4 chairs min.	YC	Canari	\$ 50/chair 4 chairs min.

GLIDES

LGL	Long glides (MX2S)	20
LGF	Long glide with felt (MX2S)	30

ARMRESTS

55	Black polyurethane	80
----	--------------------	----

BACKREST

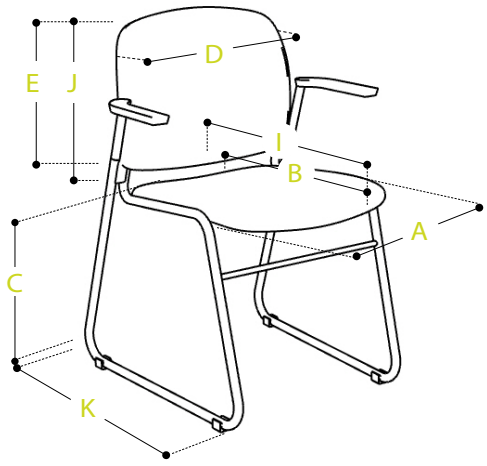
HG	Handling grip	45
----	---------------	----

ACCESSORIES

53	Left side flip-up writing tablet made of birch plywood with high pressure laminate	320
54	Right side flip-up writing tablet made of birch plywood with high pressure laminate	320
BLL	Black laminate tablet	-
MAL	Maple laminate tablet	-
GMX	Ganging elements (for 2)	20

CONTRASTED STITCHES

CCC	Different coloured thread. For leather only (visible topstitching)	75
-----	--	----



Measures	A	B*	C	D	E	I	J*	K	Weight	Volume	COM
MX2S	16 ^{1/2}	16 ^{1/2}	18	17	14	19	16	23 ^{1/2}	19	10	1.2
	42	42	46	43	36	48	40	60	8.6	0.28	1.1
MX4S	16 ^{1/2}	16 ^{1/2}	18	17	14	19	16	21 ^{1/2}	18	10	1.2
	42	42	46	43	36	48	40	55	8.2	0.28	1.1
MX20	22	-	24	-	-	27	-	-	30	9	-
	56	-	60	-	-	69	-	-	13.6	0.25	-

*B and J are respectively the effective depth of the seat and the effective height of the backrest

Imperial system (inches - pounds - cubic feet - yards)

Metric system (centimeters - kilograms - cubic meters - meters)

Next

Collection of 3 ergonomic models. Seat and backrest made of steel tubing with moulded and cut foam and upholstered using the Suspension technique. Seat slip covers equipped with zippers to allow for easy replacement. Many available options including an inflatable lumbar support and multiple seat sizes.



Collection

Director



NXE


Ergonomic




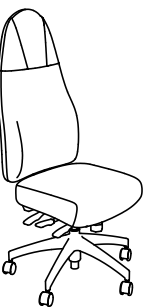
NXL



NXH

NXL		COM					LEATHER
		A	B	C	D	E	
 <p>Low backrest</p>	S	775	805	835	865	895	1275
	H	795	825	855	885	915	1295
	Z	815	845	875	905	935	1315
	MF	900	930	960	990	1020	1400
	SS	960	990	1020	1050	1080	1460
	SY	930	960	990	1020	1050	1430

NXH		COM					LEATHER
		A	B	C	D	E	
 <p>High backrest</p>	S	820	850	880	910	940	1320
	H	840	870	900	930	960	1340
	Z	860	890	920	950	980	1360
	MF	945	975	1005	1035	1065	1445
	SS	1005	1035	1065	1095	1125	1505
	SY	975	1005	1035	1065	1095	1475
	K	945	975	1005	1035	1065	1445
	P	1445	1475	1505	1535	1565	1945
	B	1340	1370	1400	1430	1460	1840

NXE		COM					LEATHER
		A	B	C	D	E	
 <p>Executive backrest</p>	S	945	975	1005	1035	1065	1445
	H	965	995	1025	1055	1085	1465
	Z	985	1015	1045	1075	1105	1485
	MF	1070	1100	1130	1160	1190	1570
	SS	1130	1160	1190	1220	1250	1630
	SY	1100	1130	1160	1190	1220	1600
	K	1070	1100	1130	1160	1190	1570
	P	1570	1600	1630	1660	1690	2070
	B	1465	1495	1525	1555	1585	1965

MECHANISMS

S	Swivel, tilt, seat height adjustment
H	Swivel, tilt, 0° lock, seat height adjustment
Z	Swivel, synchro tilt 2:1, 0° lock, seat height adjustment
MF	Swivel, tilt, lock, seat height and backrest angle adjustment
SS	Swivel, tilt, lock, seat height and backrest angle adjustment, seat slider
SY	Swivel, synchro tilt 2:1, 4 position lock, seat slider, seat height adjustment
K	Swivel, knee tilt, lock, seat height adjustment
P	Swivel, knee tilt, lock, seat height and backrest angle adjustment
B	24/7 use, tilt, lock, seat height and backrest angle adjustment

BACKREST

SPB	Regular back upright	Standard
RB	Ratchet backrest (standard with B & SY mech.)	80
HPB2	2" extended back upright	30
HRB	2" extended back upright (ratchet)	30

GAS LIFTS

80	Gas lift 80 mm	-
100	Gas lift 100 mm	-
120	Gas lift 120 mm	-
140	Gas lift 140 mm	30
200	8" stool kit standard with S mech. (L & H backrests). E mechanism available as an option (add \$100 to the price of S mech.)	170
250	10" stool kit standard with S mech. (L & H backrests). E mechanism available as an option (add \$100 to the price of S mech.)	170

SEAT

R	Regular seat	Standard
L	Large seat 21" L x 20" P	65
S	Small seat, 19" L x 18" P	65

ARMRESTS

	01	Height, width, standard pad	170
	01L	Height, width, soft pad	180
	01S	Height, width, S pad	180
	02	Height, width, contoured pad	160
	05	Height, width, multi-pivot, contoured gel pad	360
Adjustable	96	Height, width, depth, pivot, polyurethane pad	190
	96F	Height, width, depth, polyurethane pad	220
	96G	Height, width, depth, pivot, soft pad	220
NEW	XEL	Height, width, standard pad	180
NEW	XEL99	Height, width, pads adjustable in width and depth	210
	FB	Front/back slider (#01,01L,02)	55
	H	1 ^{1/2} " longer structure (#01,01L,02,05)	50

ARMRESTS

	11	Polypropylene, C shape	130
	12	Polypropylene, T shape	130
	27	Polyurethane, C shape	160
Fixed	30	Polyurethane and black metal, closed C shape	160
	47	Polyurethane and black metal, C shape	150
	60	Polished aluminum, C shape with polyurethane insert	210
	77	Polished aluminum, T shape with polyurethane pad	230

BASES AND CASTERS

SBL	Black nylon	Standard
HBL	Black nylon, high hub	-
AL	Polished aluminium (standard with mech. B)	120
HAL	Polished aluminium, high hub	120
HW	Carpet casters	Standard
SW	Hard surface casters	20
IC	3" heavy duty casters for carpet (standard with mech. B)	50
ICSW	3" heavy duty casters	65
GL	Glides instead of casters	20

BACKREST OPTION

LU	Inflatable lumbar support	105
----	---------------------------	-----

SEAT OPTION

PS	Pressure sensitive foam (Reg. & L seats)	105
----	--	-----

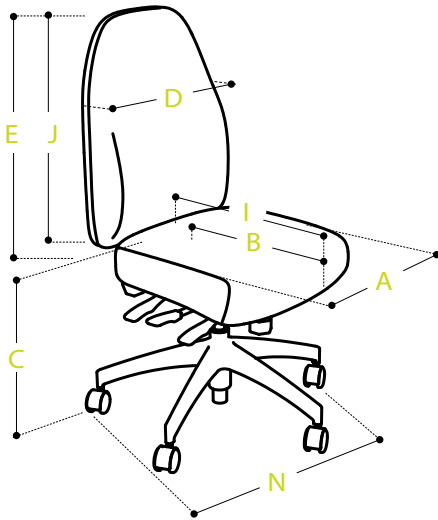
HEADREST OPTIONS

PI	Headrest (backrest E)	65
VPI	Removable headrest (backrest E)	65

CONTRASTED STITCHES

CCC	Different coloured thread. For leather only (visible topstitching)	75
-----	--	----

Next



Measures	A	B*	C	D	E	I	J*	N	Weight	Volume	COM
NXL	20	18	18 - 23	17	20	19 ^{1/2}	19-22	24	46	15	1.4
	51	43	46 - 58	43	51	50	48 - 56	60	20.9	0.42	1.3
NXH	20	18	18 - 23	17	24	19 ^{1/2}	23-26	24	48	17	1.5
	51	43	46 - 58	43	60	50	58 - 66	60	21.8	0.48	1.4
NXE	20	18	18 - 23	17	33	19 ^{1/2}	32-35	26	54	20	1.6
	51	43	46 - 58	43	84	50	81 - 89	66	24.5	0.57	1.5

*B and J are respectively the effective depth of the seat and the effective height of the backrest

Imperial system (inches - pounds - cubic feet - yards)

Metric system (centimeters - kilograms- cubic meters- meters)

Ovation

Collection of 2 ergonomic models. Seat and backrest made of steel tubing with moulded foam and upholstered using the Suspension technique. Seat slip covers equipped with zippers to allow for easy replacement. Many available options including an inflatable lumbar support and multiple seat sizes.



Collection

Director



OVD

Ergonomic



OVH

OVH

COM

A B C D E LEATHER

S	840	870	900	930	960	1340
H	860	890	920	950	980	1360
Z	880	910	940	970	1000	1380
MF	965	995	1025	1055	1085	1465
SS	1025	1055	1085	1115	1145	1525
SY	995	1025	1055	1085	1115	1495
K	965	995	1025	1055	1085	1465
P	1465	1495	1525	1555	1585	1965



High backrest

OVD

COM

A B C D E LEATHER

S	880	910	940	970	1000	1380
H	900	930	960	990	1020	1400
Z	920	950	980	1010	1040	1420
MF	1005	1035	1065	1095	1125	1505
SS	1065	1095	1125	1155	1185	1565
SY	1035	1065	1095	1125	1155	1535
K	1005	1035	1065	1095	1125	1505
P	1505	1535	1565	1595	1625	2005



Director backrest

MECHANISMS

S	Swivel, tilt, seat height adjustment
H	Swivel, tilt, 0° lock, seat height adjustment
Z	Swivel, synchro tilt 2:1, 0° lock, seat height adjustment
MF	Swivel, tilt, lock, seat height and backrest angle adjustment
SS	Swivel, tilt, lock, seat height and backrest angle adjustment; seat slider
SY	Swivel, synchro tilt 2:1, 4 position lock, seat slider, seat height adjustment
K	Swivel, knee tilt, lock, seat height adjustment
P	Swivel, knee tilt, lock, seat height and backrest angle adjustment

GAS LIFTS

80	Gas lift 80 mm	-
100	Gas lift 100 mm	-
120	Gas lift 120 mm	-
140	Gas lift 140 mm	30

SEAT

R	Regular seat	Standard
L	Large seat, 21" L x 20" P	65
S	Small seat, 19" L x 18" P	65

ARMRESTS

Adjustable	01	Height, width, standard pad	170	
	01L	Height, width, soft pad	180	
	01S	Height, width, S pad	180	
	02	Height, width, contoured pad	160	
	05	Height, width, multi-pivot, contoured gel pad	360	
	96	Height, width, depth, pivot, polyurethane pad	190	
	96F	Height, width, depth, polyurethane pad	220	
	96G	Height, width, depth, pivot, soft pad	220	
	NEW	XEL	Height, width, standard pad	180
	NEW	XEL99	Height, width, pads adjustable in width and depth	210
		FB	Front/back slider (#01,01L,02)	55
		H	1 ^{1/2} " longer structure (#01,01L,02,05)	50
Fixed	27	Polyurethane, C shape	160	
	29P	Polished aluminium, polyurethane pad (mech. S,K)	180	
	30	Polyurethane and black metal, closed C shape	160	
	47	Polyurethane and black metal, C shape	150	
	60	Polished aluminum, C shape with polyurethane insert	210	
	77	Polished aluminum, T shape with polyurethane pad	230	

BASES AND CASTERS

SBL	Black nylon	Standard
HBL	Black nylon, high hub	-
AL	Polished aluminium	120
HAL	Polished aluminium, high hub	120
HW	Carpet casters	Standard
SW	Hard surface casters	20
IC	3" heavy duty casters for carpet	50
ICSW	3" heavy duty casters for hard surfaces	65
GL	Glides instead of casters	20

BACKREST OPTION

LU	Inflatable lumbar support	105
----	---------------------------	-----

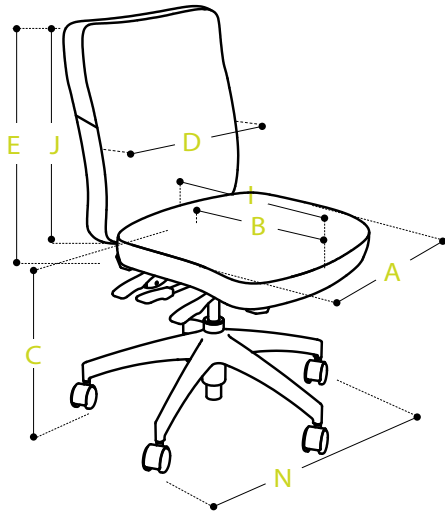
SEAT OPTION

PS	Pressure sensitive foam (Reg. & L seats)	105
----	--	-----

CONTRASTED STITCHES

CCC	Different coloured thread. For leather only (visible topstitching)	75
-----	--	----

Ovation



Measures	A	B*	C	D	E	I	J*	N	Weight	Volume	COM
OVH	20 ^{1/2}	19	17 - 22	19	25	20	22	24	60	19	1.5
	52	48	43 - 56	48	64	51	56	60	27.2	0.54	1.4
OVD	20 ^{1/2}	19	17 - 22	19	29	20	26	26	61	20	1.6
	52	48	43 - 56	48	74	51	66	66	27.7	0.57	1.5

*B and J are respectively the effective depth of the seat and the effective height of the backrest

Imperial system (inches - pounds - cubic feet - yards)

Metric system (centimeters - kilograms - cubic meters - meters)

Penta

Collection of 4 multi-purpose models made with steel tubing frame. Seat and backrest made of black polypropylene. Many available options including seat and backrest upholstery and a trolley.



Collection

Multi-purpose



PN4



PN7



PN8



PNL

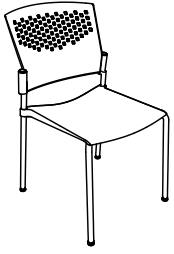
Trolley



PN20

PN4

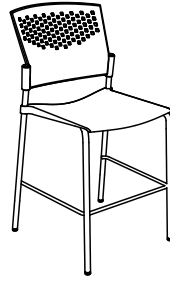
PN4 315



Four-leg frame
Glides

PN7

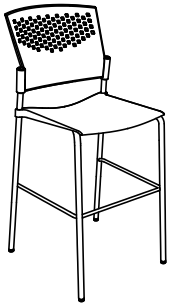
PN7 385



Counter height stool
Glides

PN8

PN8 395



Counter height stool
Glides

PNL

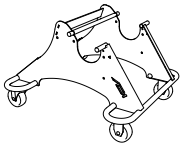
S 420

H 440



PN20

PN20 580



Trolley
Capacity for 12 chairs
(without upholstered seat)

MECHANISMS

S	Swivel, tilt, seat height adjustment
H	Swivel, tilt, 0° lock, seat height adjustment

GAS LIFTS

80	Gas lift 80 mm	-
100	Gas lift 100 mm	-
120	Gas lift 120 mm	-
140	Gas lift 140 mm	30
200	8" stool kit (H mech.)	170
250	10" stool kit (H mech.)	170

FRAME FINISHES (4-7-8)

BL	Black	Standard	LB	Saphir	\$ 50/chair 4 chairs min.
SX	Black sandex	-	DB	Minuit	\$ 50/chair 4 chairs min.
CH	Charcoal	-	RD	Cardinal	\$ 50/chair 4 chairs min.
SG	Metallic grey	-	DR	Bordeaux	\$ 50/chair 4 chairs min.
WH	White	-	GR	Sauge	\$ 50/chair 4 chairs min.
WX	White sandex	-	GP	Sapin	\$ 50/chair 4 chairs min.
C	Polished chrome (PN4)	85\$	OG	Terracotta	\$ 50/chair 4 chairs min.
C	Polished chrome (PN7-8)	105\$	YC	Canari	\$ 50/chair 4 chairs min.
PA	Polished chrome paint	\$ 50/chair 4 chairs min.			

BASES AND CASTERS

SBL	Black nylon	Standard
HBL	Black nylon, high hub	-
AL	Polished aluminium	120
HAL	Polished aluminium, high hub	120
HW	Carpet casters	Standard
SW	Hard surface casters	20
GL	Glides instead of casters	20
CA	Casters (PN4)	20
SCA	Hard surface casters (PN4)	30

ARMRESTS

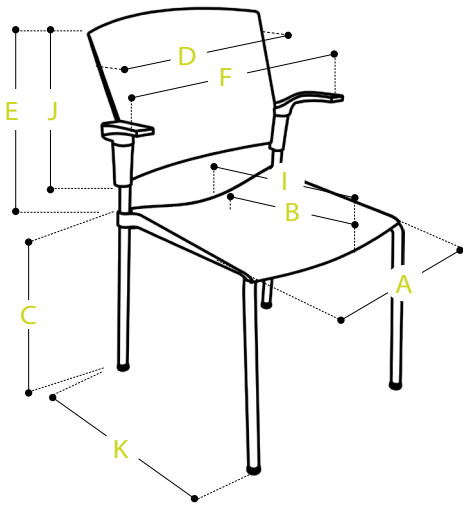
Adjustable NEW	01L	Height, width, soft pad (PNL)	180
	01S	Height, width, standard pad (PNL)	180
	XEL	Height, width, standard pad (PNL)	180
NEW	XEL99	Hauteur, largeur, appui-bras ajustable en largeur et profondeur (PNL)	210
Fixed	50	Black polyurethane (PN4)	45
	66	Black sandex frame with fixed PVC arms (PNL)	75

ACCESSORIES

NG White nylon cap covering glides

12

SEAT	Code	A	^{COM} B	C	D	E	COM
Upholstered backrest 17" L x 11" P x 3/4" H	CPB	120	140	160	180	200	0.9
Upholstered seat 15" L x 11" P x 3/4" H	CPS	120	140	160	180	200	0.9



Measures	A	B*	C	D	E	F	I	J*	K	Weight	Volume
PN4	17	17 ^{1/2}	18	18	13	22	17	16	21	15	9
	43	44	46	46	33	56	43	40	53	6.8	0.8
PN7	17	17 ^{1/2}	24	18	13	22	17	16	21	17	11
	43	44	60	46	33	56	43	40	53	7.7	1
PN8	17	17 ^{1/2}	30	18	13	22	17	16	21	18	13
	43	44	76	46	33	56	43	40	53	8.2	1.2
PNL	17	17 ^{1/2}	17-22	18	13	22	17	16	24	28	9
	43	44	43 - 56	46	33	56	43	40	60	12.7	0.8
PN20	22	-	24	-	-	27	-	-	30	9	-
	56	-	60	-	-	69	-	-	13.6	0.25	-

*B and J are respectively the effective depth of the seat and the effective height of the backrest

Imperial system (inches - pounds - cubic feet - yards)

Metric system (centimeters - kilograms- cubic meters- meters)

Scorpio

Collection of 1 ergonomic model. Seat and backrest made of steel tubing with high resilience moulded and cut foam, upholstered using the Suspension technique. Seat slip covers equipped with zippers to allow for easy replacement.



Collection

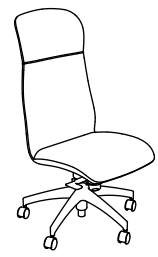
Director



SCE

SCE

COM



Executive backrest

	A	B	C	D	E	LEATHER
S	1060	1100	1140	1180	1220	1660
H	1080	1120	1160	1200	1240	1680
K	1185	1225	1265	1305	1345	1785

MECHANISMS

S	Swivel, tilt, seat height adjustment
H	Swivel, tilt, 0° lock, seat height adjustment
K	Swivel, knee tilt, lock, seat height adjustment

GAS LIFTS

80	Gas lift 80 mm	-
100	Gas lift 100 mm	-
120	Gas lift 120 mm	-
140	Gas lift 140 mm	30

ARMRESTS

	29P	Polished aluminum, polyurethane pad	180
Fixed	60	Polished aluminum, C shape with polyurethane insert	210
	77	Polished aluminum, T shape with polyurethane pad	230

BASES AND CASTERS

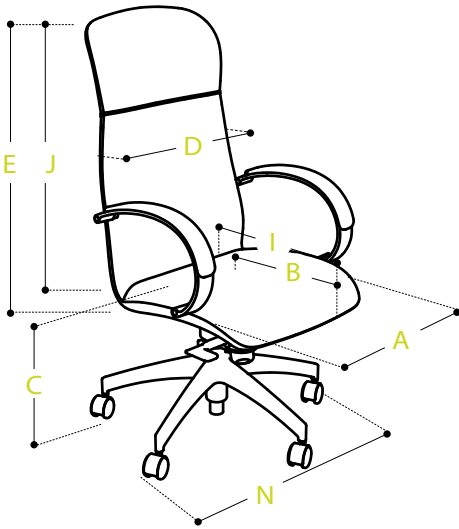
SBL	Black nylon	Standard
HBL	Black nylon, high hub	-
AL	Polished aluminium	120
HAL	Polished aluminium, high hub	120
HW	Carpet casters	Standard
SW	Hard surface casters	20
IC	3" heavy duty casters for carpet	50
ICSW	3" heavy duty casters for carpet	65
GL	Glides instead of casters	20

SEALED STITCHES

CSC	All models	160
-----	------------	-----

CONTRASTED STITCHES

CCC	Different coloured thread. For leather only (visible topstitching)	75
-----	--	----



Measures	A	B*	C	D	E	I	J*	N	Weight	Volume	COM
SCE	20 ^{1/2}	18	17 ^{1/2} - 22 ^{1/2}	18	33	19	30	26	58	23	2.4
	52	46	44 - 57	46	84	48	76	66	26.3	0.65	2.2

*B and J are respectively the effective depth of the seat and the effective height of the backrest

Imperial system (inches - pounds - cubic feet - yards)

Metric system (centimeters - kilograms- cubic meters- meters)

Sensaflex

Collection of 3 ergonomic models. Seat and backrest made of steel tubing with moulded and cut foam and upholstered using the Suspension technique. Seat slip covers equipped with zippers to allow for easy replacement. Many available options including an inflatable lumbar support and multiple seat sizes.



Collection

Director



SAD



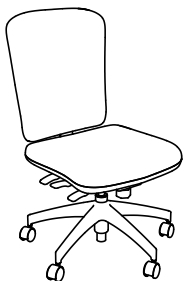
SAE

Ergonomic



SAH

SAH	COM						LEATHER
	A	B	C	D	E		
S	860	900	940	980	1020	1460	
H	880	920	960	1000	1040	1480	
Z	900	940	980	1020	1060	1500	
MF	985	1025	1065	1105	1145	1585	
SS	1045	1085	1125	1165	1205	1645	
SY	1015	1055	1095	1135	1175	1615	
K	985	1025	1065	1105	1145	1585	
P	1485	1525	1565	1605	1645	2085	
B	1380	1420	1460	1500	1540	1980	



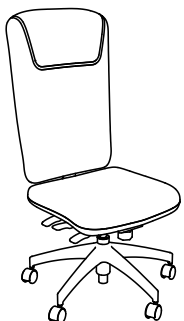
High backrest

SAD	COM						LEATHER
	A	B	C	D	E		
S	990	1030	1070	1110	1150	1590	
H	1010	1050	1090	1130	1170	1610	
Z	1030	1070	1110	1150	1190	1630	
MF	1115	1155	1195	1235	1275	1715	
SS	1175	1215	1255	1295	1335	1775	
SY	1145	1185	1225	1265	1305	1745	
K	1115	1155	1195	1235	1275	1715	
P	1615	1655	1695	1735	1775	2215	
B	1510	1550	1590	1630	1670	2110	



Director backrest

SAE	COM						LEATHER
	A	B	C	D	E		
S	1030	1070	1110	1150	1190	1630	
H	1050	1090	1130	1170	1210	1650	
Z	1070	1110	1150	1190	1230	1670	
MF	1155	1195	1235	1275	1315	1755	
SS	1215	1255	1295	1335	1375	1815	
SY	1185	1225	1265	1305	1345	1785	
K	1155	1195	1235	1275	1315	1755	
P	1655	1695	1735	1775	1815	2255	
B	1550	1590	1630	1670	1710	2150	



Executive backrest

MECHANISMS

S	Swivel, tilt, seat height adjustment
H	Swivel, tilt, 0° lock, seat height adjustment
Z	Swivel, synchro tilt 2:1, 0° lock, seat height adjustment
MF	Swivel, tilt, lock, seat height and backrest angle adjustment
SS	Swivel, tilt, lock, seat height and backrest angle adjustment, seat slider
SY	Swivel, synchro tilt 2:1, 4 position lock, seat slider, seat height adjustment
K	Swivel, knee tilt, lock, seat height adjustment
P	Swivel, knee tilt, lock, seat height and backrest angle adjustment
B	24/7 use, tilt, lock, seat height and backrest angle adjustment

BACKREST

SPB	Regular back upright	Standard
RB	Ratchet backrest (standard with B & SY mech.)	80
HPB2	2" extended back upright	30
HRB	2" extended back upright (ratchet)	30

GAS LIFTS

80	Gas lift 80 mm	-
100	Gas lift 100 mm	-
120	Gas lift 120 mm	-
140	Gas lift 140 mm	30
200	8" stool kit standard with S mech. (H backrest). E mechanism available as an option (add \$100 to the price of S mech.)	170
250	10" stool kit standard with S mech. (H backrest). E mechanism available as an option (add \$100 to the price of S mech.)	170

SEAT

R	Regular seat	Standard
L	Large seat, 21" L x 20" P	65
S	Small seat, 19" L x 18" P	65

ARMRESTS

	01	Height, width, standard pad	170
	01L	Height, width, soft pad	180
	01S	Height, width, S pad	180
	02	Height, width, contoured pad	160
	05	Height, width, multi-pivot, contoured gel pad	360
	16	Retractable, height, width, regular pad	230
Adjustable	96	Height, width, depth, pivot, polyurethane pad	190
	96F	Height, width, depth, polyurethane pad	220
	96G	Height, width, depth, pivot, soft pad	220
NEW	XEL	Height, width, standard pad	180
NEW	XEL99	Height, width, pads adjustable in width and depth	210
	FB	Front/back slider (#01,01L,02)	55
	H	1 ^{1/2} " longer structure (#01,01L,02,05)	50

ARMRESTS

	11	Polypropylene, C shape	130
	12	Polypropylene, T shape	130
	27	Polyurethane, C shape	160
Fixed	30	Polyurethane and black metal, closed C shape	160
	47	Polyurethane and black metal, C shape	150
	60	Polished aluminum, C shape with polyurethane insert	210
	77	Polished aluminum, T shape with polyurethane pad	230

BASES AND CASTERS

SBL	Black nylon	Standard
HBL	Black nylon, high hub	-
AL	Polished aluminium (standard with mech. B)	120
HAL	Polished aluminium, high hub	120
HW	Carpet casters	Standard
SW	Hard surface casters	20
IC	3" heavy duty casters for carpet (standard with mech. B)	50
ICSW	3" heavy duty casters for hard surfaces	65
GL	Glides instead of casters	20

BACKREST OPTION

LU	Inflatable lumbar support	105
----	---------------------------	-----

SEAT OPTION

PS	Pressure sensitive foam (Reg. & L seats)	105
----	--	-----

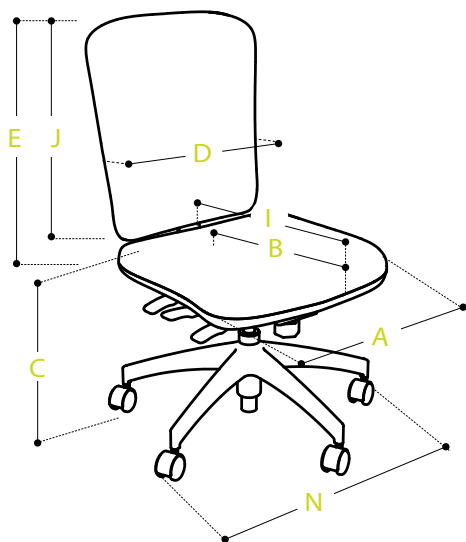
SEALED STITCHES

CSC	All models	160
-----	------------	-----

CONTRASTED STITCHES

CCC	Different coloured thread. For leather only (visible topstitching)	75
-----	--	----

Sensaflex



Measures	A	B*	C	D	E	I	J*	N	Weight	Volume	COM
SAH	19 ^{1/2}	18 ^{1/2}	17 ^{1/2} - 22 ^{1/2}	20	22	19 ^{1/2}	19 - 22	24	54	16	1.4
	50	47	44 - 57	51	56	50	48 - 56	60	24.5	0.4	1.3
SAD	19 ^{1/2}	18 ^{1/2}	17 ^{1/2} - 22 ^{1/2}	20	27	19 ^{1/2}	26 - 29	26	59	18	1.6
	50	47	44 - 57	51	69	50	66 - 74	66	26.8	0.51	1.5
SAE	19 ^{1/2}	18 ^{1/2}	17 ^{1/2} - 22 ^{1/2}	20	30	19 ^{1/2}	29 - 31	26	60	20	1.7
	50	47	44 - 57	51	76	50	74 - 79	66	27.2	0.57	1.6

*B and J are respectively the effective depth of the seat and the effective height of the backrest

Imperial system (inches - pounds - cubic feet - yards)

Metric system (centimeters - kilograms - cubic meters - meters)

Tact

Collection of 4 ergonomic and 4 multi-purpose models. Seat made of steel tubing with moulded foam and upholstered using the Suspension technique. Backrest made of steel tubing and a knit cover available in 60 colors. Seat slip covers equipped with zippers to allow for easy replacement. Many available options including a removable, height adjustable lumbar support and multiple seat sizes.



Collection

Director



TAD



TAE

Ergonomic



TAL



TAH

Multi-purpose



TAL4



TAL6



TAH4



TAH6

TAL		COM					LEATHER
		A	B	C	D	E	
	S	735	755	775	795	815	1035
	H	755	775	795	815	835	1055
	Z	775	795	815	835	855	1075
	MF	860	880	900	920	940	1160
	SS	920	940	960	980	1000	1220
	SY	890	910	930	950	970	1190



Low backrest

TAH		COM					LEATHER
		A	B	C	D	E	
	S	780	800	820	840	860	1080
	H	800	820	840	860	880	1100
	Z	820	840	860	880	900	1120
	MF	905	925	945	965	985	1205
	SS	965	985	1005	1025	1045	1265
	SY	935	955	975	995	1015	1235
	K	905	925	945	965	985	1205
	P	1405	1425	1445	1465	1485	1705
	B	1300	1320	1340	1360	1380	1600

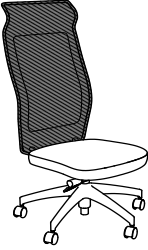


High backrest

TAD		COM					LEATHER
		A	B	C	D	E	
	S	820	840	860	880	900	1120
	H	840	860	880	900	920	1140
	Z	860	880	900	920	940	1160
	MF	945	965	985	1005	1025	1245
	SS	1005	1025	1045	1065	1085	1305
	SY	975	995	1015	1035	1055	1275
	K	945	965	985	1005	1025	1245
	P	1445	1465	1485	1505	1525	1745
	B	1340	1360	1380	1400	1420	1640



Director backrest

TAE	COM							LEATHER
	A	B	C	D	E			
 <p>Executive backrest</p>	S	905	925	945	965	985	1205	
	H	925	945	965	985	1005	1225	
	Z	945	965	985	1005	1025	1245	
	MF	1030	1050	1070	1090	1110	1330	
	SS	1090	1110	1130	1150	1170	1390	
	SY	1060	1080	1100	1120	1140	1360	
	K	1030	1050	1070	1090	1110	1330	
	P	1530	1550	1570	1590	1610	1830	
	B	1425	1445	1465	1485	1505	1725	



TAL4



TAL6



TAH4



TAH6

		COM					LEATHER
		A	B	C	D	E	
TAL4	Four-leg frame with casters	650	670	690	710	730	950
TAL6	Cantilever frame with glides and 56 armrests	720	740	760	780	800	1020
TAH4	Four-leg frame with casters	695	715	735	755	775	995
TAH6	Cantilever frame with glides and 56 armrests	765	785	805	825	845	1065

MECHANISMS

S	Swivel, tilt, seat height adjustment
H	Swivel, tilt, 0° lock, seat height adjustment
Z	Swivel, synchro tilt 2:1, 0° lock, seat height adjustment
MF	Swivel, tilt, lock, seat height and backrest angle adjustment
SS	Swivel, tilt, lock, seat height and backrest angle adjustment, seat slider
SY	Swivel, synchro tilt 2:1, 4 position lock, seat slider, seat height adjustment
K	Swivel, knee tilt, lock, seat height adjustment
P	Swivel, knee tilt, lock, seat height adjustment and backrest angle adjustment
B	24/7 use, tilt, lock, seat height and backrest angle adjustment

GAS LIFTS

80	Gas lift 80 mm	-
100	Gas lift 100 mm	-
120	Gas lift 120 mm	-
140	Gas lift 140 mm	30
200	8" stool kit standard with S mech. (L & H backrests). E mechanism available as an option (add \$100 to the price of S mech.)	170
250	10" stool kit standard with S mech. (L & H backrests). E mechanism available as an option (add \$100 to the price of S mech.)	170

SEAT

R	Regular seat	Standard
L	Large seat, 21" L x 20" P	65
S	Small seat, 19" L x 18" P	65

ARMRESTS

	01	Height, width, standard pad	170
	01L	Height, width, soft pad	180
	01S	Height, width, S pad	180
	02	Height, width, contoured pad	160
	05	Height, width, multi-pivot, contoured gel pad	360
Adjustable	96	Height, width, depth, pivot, polyurethane pad	190
	96F	Height, width, depth, polyurethane pad	220
	96G	Height, width, depth, pivot, soft pad	220
NEW	XEL	Height, width, standard pad	180
NEW	XEL99	Height, width, pads adjustable in width and depth	210
	FB	Front/back slider (#01,01L,02)	55
	H	1 ^{1/2} " longer structure (#01,01L,02,05)	50

ARMRESTS

	11	Polypropylene, C shape	130
	12	Polypropylene, T shape	130
	27	Polyurethane, C shape	160
Fixed	30	Polyurethane and black metal, closed C shape	160
	47	Polyurethane and black metal, C shape	150
	60	Polished aluminum, C shape with polyurethane insert	210
	77	Polished aluminum, T shape with polyurethane pad	230

FRAME FINISHES

BL	Black	Standard
SX	Black sandex	-
C	Chrome	85

BASES AND CASTERS

SBL	Black nylon	Standard
HBL	Black nylon, high hub	-
AL	Polished aluminium (standard with mech. B)	120
HAL	Polished aluminium, high hub	120
HW	Carpet casters	Standard
SW	Hard surface casters	20
IC	3" heavy duty casters for carpet (standard with mech. B)	50
ICSW	3" heavy duty casters for hard surfaces	65
GL	Glides instead of casters	20

BACKREST OPTIONS

TR	Ribbed knit	-
LU	Inflatable lumbar support adjustable in height	70
RD	Round backrest top (H, D & E backrests)	-

SEAT OPTION

PS	Pressure sensitive foam (Reg. & L seats)	105
----	--	-----

HEADREST OPTIONS

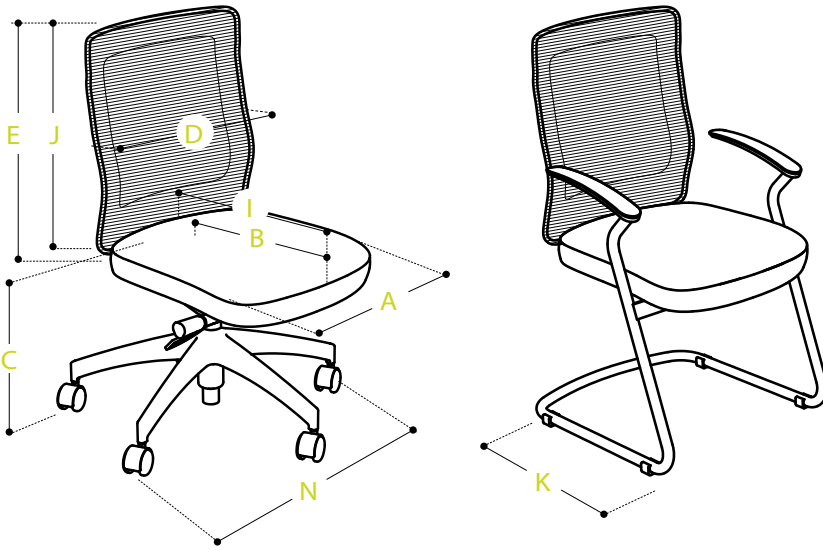
PI	Headrest (backrest E)	95
	Choice of 3 standard knit colors (black 7209, silver 7273, coal 7299)	-
	Choice of 57 additional colors : 5 chairs minimum	

MESH

7209	Black	Standard
7273	Silver	-
7299	Coal	-
	Choice of 57 additional colors : 5 chairs minimum	

CONTRASTED STITCHES

CCC	Different coloured thread. For leather only (visible topstitching)	75
-----	--	----



Measures	A	B*	C	D	E	I	J*	K	N	Weight	Volume	COM
TAL	19 ^{1/2}	18 ^{1/2}	17 ^{1/2} - 22 ^{1/2}	18	19	19	16	-	24	47	14	1.0
	50	47	44 - 57	46	48	48	40	-	60	21.3	0.4	0.9
TAH	19 ^{1/2}	18 ^{1/2}	18	18	24	19	22	-	24	49	15	1.0
	50	47	46	46	60	48	56	-	60	22.2	0.43	0.9
TAD	19 ^{1/2}	18 ^{1/2}	18	18	26 ^{1/2}	19	23 ^{1/2}	-	26	52	16	1.0
	50	47	46	46	67	48	60	-	66	23.6	0.45	0.9
TAE	19 ^{1/2}	18 ^{1/2}	18	18	33	19	30	-	26	55	17	1.0
	50	47	46	46		48	76	-	66	25	0.48	0.9
TAL4	19 ^{1/2}	18 ^{1/2}	18	18	19	19	17	23	-	32	13	1.0
	50	47	46	46	48	48	43	58	-	14.5	0.37	0.9
TAL6	19 ^{1/2}	18 ^{1/2}	18	18	19	19	17	23	-	35	13	1.0
	50	47	46	46	48	48	43	58	-	15.9	0.37	0.9
TAH4	19 ^{1/2}	18 ^{1/2}	18	18	24	19	22	23	-	34	14	1.0
	50	47	46	46	60	48	56	58	-	15.4	0.4	0.9
TAH6	19 ^{1/2}	18 ^{1/2}	18	18	24	19	22	23	-	37	14	1.0
	50	47	46	46	60	48	56	58	-	16.8	0.4	0.9

*B and J are respectively the effective depth of the seat and the effective height of the backrest

Imperial system (inches - pounds - cubic feet - yards)

Metric system (centimeters - kilograms - cubic meters - meters)

Top

Collection of 3 ergonomic models. Seat and backrest made of steel tubing with moulded and cut foam and upholstered using the Suspension technique. Seat slip covers equipped with zippers to allow for easy replacement. Many available options including an inflatable lumbar support and multiple seat sizes.



Collection

Director



TPD


Ergonomic





TPL



TPH

TPL		COM					LEATHER
		A	B	C	D	E	
 Low backrest	S	610	640	670	700	730	1110
	H	630	660	690	720	750	1130
	Z	650	680	710	740	770	1150
	MF	735	765	795	825	855	1235
	SS	795	825	855	885	915	1295
	SY	765	795	825	855	885	1265

TPH		COM					LEATHER
		A	B	C	D	E	
 High backrest	S	655	685	715	745	775	1155
	H	675	705	735	765	795	1175
	Z	695	725	755	785	815	1195
	MF	780	810	840	870	900	1280
	SS	840	870	900	930	960	1340
	SY	810	840	870	900	930	1310
	K	780	810	840	870	900	1280
	P	1280	1310	1340	1370	1400	1780
	B	1175	1205	1235	1265	1295	1675

TPD		COM					LEATHER
		A	B	C	D	E	
 Director backrest	S	695	725	755	785	815	1195
	H	715	745	775	805	835	1215
	Z	735	765	795	825	855	1235
	MF	820	850	880	910	940	1320
	SS	880	910	940	970	1000	1380
	SY	850	880	910	940	970	1350
	K	820	850	880	910	940	1320
	P	1320	1350	1380	1410	1440	1820
	B	1215	1245	1275	1305	1335	1715

MECHANISMS

S	Swivel, tilt, seat height adjustment
H	Swivel, tilt, 0° lock, seat height adjustment
Z	Swivel, synchro tilt 2:1, 0° lock, seat height adjustment
MF	Swivel, tilt, lock, seat height and backrest angle adjustment
SS	Swivel, tilt, lock, seat height and backrest angle adjustment, seat slider
SY	Swivel, synchro tilt 2:1, 4 position lock, seat slider, seat height adjustment
K	Swivel, knee tilt, lock, seat height adjustment
P	Swivel, knee tilt, lock, seat height and backrest angle adjustment
B	24/7 use, tilt, lock, seat height and backrest angle adjustment

BACKREST

SPB	Regular back upright	Standard
RB	Ratchet backrest (standard with B & SY mech.)	80
HPB2	2" extended back upright	30
HRB	2" extended back upright (ratchet)	30

GAS LIFTS

80	Gas lift 80 mm	-
100	Gas lift 100 mm	-
120	Gas lift 120 mm	-
140	Gas lift 140 mm	30
200	8" stool kit standard with S mech. (L & H backrests). E mechanism available as an option (add \$100 to the price of S mech.)	170
250	10" stool kit standard with S mech. (L & H backrests). E mechanism available as an option (add \$100 to the price of S mech.)	170

SEAT

R	Regular seat	Standard
L	Large seat, 21" L x 20" P	65
S	Small seat, 19" L x 18" P	65
XS	Extra small seat, 17" L x 17" P	65

ARMRESTS

	01	Height, width, standard pad	170
	01L	Height, width, soft pad	180
	01S	Height, width, S pad	180
	02	Height, width, contoured pad	160
	05	Height, width, multi-pivot, contoured gel pad	360
Adjustable	96	Height, width, depth, pivot, polyurethane pad	190
	96F	Height, width, depth, polyurethane pad	220
	96G	Height, width, depth, pivot, soft pad	220
NEW	XEL	Height, width, standard pad	180
NEW	XEL99	Height, width, pads adjustable in width and depth	210
	FB	Front/back slider (#01,01L,02)	55
	H	1 ^{1/2} " longer structure (#01,01L,02,05)	50

ARMRESTS

	11	Polypropylene, C shape	130
	12	Polypropylene, T shape	130
	27	Polyurethane, C shape	160
Fixed	30	Polyurethane and black metal, closed C shape	160
	47	Polyurethane and black metal, C shape	150
	60	Polished aluminum, C shape with polyurethane insert	210
	77	Polished aluminum, T shape with polyurethane pad	230

BASES AND CASTERS

SBL	Black nylon	Standard
HBL	Black nylon, high hub	-
AL	Polished aluminium (standard with mech. B)	120
HAL	Polished aluminium, high hub	120
HW	Carpet casters	Standard
SW	Hard surface casters	20
IC	3" heavy duty casters for carpet (standard with mech. B)	50
ICSW	3" heavy duty casters for hard surfaces	65
GL	Glides instead of casters	20

BACKREST OPTION

LU	Inflatable lumbar support	105
----	---------------------------	-----

SEAT OPTION

PS	Pressure sensitive foam (Reg. & L seats)	105
----	--	-----

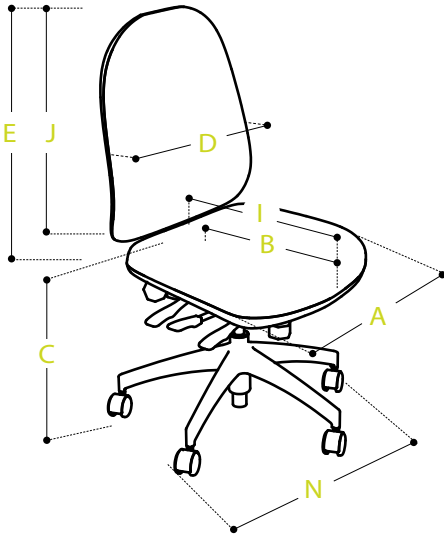
SEALED STITCHES

CSC	All models	160
-----	------------	-----

CONTRASTED STITCHES

CCC	Different coloured thread. For leather only (visible topstitching)	75
-----	--	----

Top



Measures	A	B*	C	D	E	I	J*	N	Weight	Volume	COM
TPL	20	18 ^{1/2}	17 ^{1/2} - 22 ^{1/2}	16	16	20	15 - 18	24	44	15	1.3
	51	44	44 - 57	40	40	51	38 - 46	60	20	0.42	1.2
TPH	20	18 ^{1/2}	17 ^{1/2} - 22 ^{1/2}	16	20	20	19 - 22	26	46	16	1.4
	51	44	44 - 57	40	51	51	48 - 56	66	20.9	0.45	1.3
TPD	20	18 ^{1/2}	17 ^{1/2} - 22 ^{1/2}	16	26	20	25 - 28	26	49	16	1.6
	51	44	44 - 57	40	66	51	64 - 71	66	22.2	0.45	1.5

*B and J are respectively the effective depth of the seat and the effective height of the backrest

Imperial system (inches - pounds - cubic feet - yards)

Metric system (centimeters - kilograms- cubic meters- meters)

Viva

Collection of 3 ergonomic models. Seat and backrest made of steel tubing with moulded foam and upholstered using the Suspension technique. Seat slip covers equipped with zippers to allow for easy replacement. Many available options including an inflatable lumbar support and multiple seat sizes.



Collection

Director



VID

Ergonomic



VIL



VIH

VIL

COM



Low backrest

	A	B	C	D	E	LEATHER
S	670	700	730	760	790	1170
H	690	720	750	780	810	1190
Z	710	740	770	800	830	1210
MF	795	825	855	885	915	1295
SS	855	885	915	945	975	1355
SY	825	855	885	915	945	1325

VIH

COM



High backrest

	A	B	C	D	E	LEATHER
S	715	745	775	805	835	1215
H	735	765	795	825	855	1235
Z	755	785	815	845	875	1255
MF	840	870	900	930	960	1340
SS	900	930	960	990	1020	1400
SY	870	900	930	960	990	1370
K	840	870	900	930	960	1340
P	1340	1370	1400	1430	1460	1840
B	1235	1265	1295	1325	1355	1735

VID

COM



Director backrest

	A	B	C	D	E	LEATHER
S	755	785	815	845	875	1255
H	775	805	835	865	895	1275
Z	795	825	855	885	915	1295
MF	880	910	940	970	1000	1380
SS	940	970	1000	1030	1060	1440
SY	910	940	970	1000	1030	1410
K	880	910	940	970	1000	1380
P	1380	1410	1440	1470	1500	1880
B	1275	1305	1335	1365	1395	1775

MECHANISMS

S	Swivel, tilt, seat height adjustment
H	Swivel, tilt, 0° lock, seat height adjustment
Z	Swivel, synchro tilt 2:1, 0° lock, seat height adjustment
MF	Swivel, tilt, lock, seat height and backrest angle adjustment
SS	Swivel, tilt, lock, seat height and backrest angle adjustment, seat slider
SY	Swivel, synchro tilt 2:1, 4 position lock, seat slider, seat height adjustment
K	Swivel, knee tilt, lock, seat height adjustment
P	Swivel, knee tilt, lock, seat height and backrest angle adjustment
B	24/7 use, tilt, lock, seat height and backrest angle adjustment

BACKREST

SPB	Regular back upright	Standard
RB	Ratchet back (standard with mech. B & SY)	80
HPB2	2" extended back upright	30
HRB	2" extended back upright (ratchet)	30

GAS LIFTS

80	Gas lift 80 mm	-
100	Gas lift 100 mm	-
120	Gas lift 120 mm	-
140	Gas lift 140 mm	30
200	8" stool kit standard with S mech. (L & H backrests). E mechanism available as an option (add \$100 to the price of S mech.)	170
250	10" stool kit standard with S mech. (L & H backrests). E mechanism available as an option (add \$100 to the price of S mech.)	170

SEAT

R	Regular seat	Standard
L	Large seat, 21" L x 20" P	65
S	Small seat, 19" L x 17.5" P	65

ARMRESTS

	01	Height, width, standard pad	170
	01L	Height, width, soft pad	180
	01S	Height, width, S pad	180
	02	Height, width, contoured pad	160
	05	Height, width, multi-pivot, contoured gel pad	360
Adjustable	96	Height, width, depth, pivot, polyurethane pad	190
	96F	Height, width, depth, polyurethane pad	220
	96G	Height, width, depth, pivot, soft pad	220
NEW	XEL	Height, width, standard pad	180
NEW	XEL99	Height, width, pads adjustable in width and depth	210
	FB	Front/back slider (#01,01L,02)	55
	H	1 ^{1/2} " longer structure (#01,01L,02,05)	50

ARMRESTS

	11	Polypropylene, C shape	130
	12	Polypropylene, T shape	130
	27	Polyurethane, C shape	160
Fixed	30	Polyurethane and black metal, closed C shape	160
	47	Polyurethane and black metal, C shape	150
	60	Polished aluminum, C shape with polyurethane insert	210
	77	Polished aluminum, T shape with polyurethane pad	230

BASES AND CASTERS

SBL	Black nylon	Standard
HBL	Black nylon, high hub	-
AL	Polished aluminium (standard with mech. B)	120
HAL	Polished aluminium, high hub	120
HW	Carpet casters	Standard
SW	Hard surface casters	20
IC	3" heavy duty casters for carpet (standard with mech. B)	50
ICSW	3" heavy duty casters for hard surfaces	65
GL	Glides instead of casters	20

BACKREST OPTION

LU	Inflatable lumbar support	105
----	---------------------------	-----

SEAT OPTION

PS	Pressure sensitive foam (Reg. & L seats)	105
----	--	-----

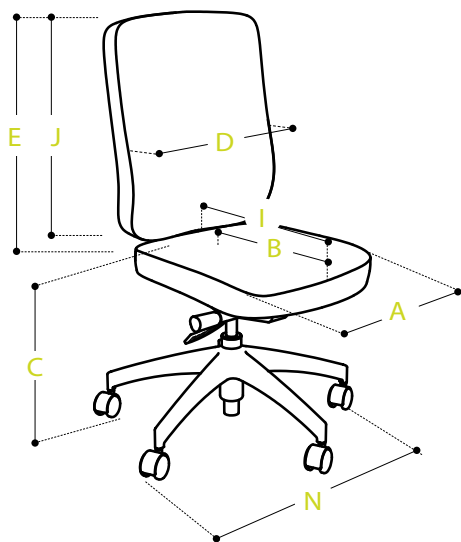
SEALED STITCHES

CSC	All models	160
-----	------------	-----

CONTRASTED STITCHES

CCC	Different coloured thread. For leather only (visible topstitching)	75
-----	--	----

Viva



Measures	A	B*	C	D	E	I	J*	N	Weight	Volume	COM
VIL	19 ^{1/2}	18	17 - 22	17 ^{1/2}	18	19 ^{1/2}	19	24	49	14	1.2
	50	42	43 - 56	44	46	50	48	60	22.2	0.4	1.1
VIH	19 ^{1/2}	18	17 - 22	17 ^{1/2}	22	19 ^{1/2}	22 - 25	24	51	16	1.3
	50	42	43 - 56	44	56	50	56 - 64	60	23.1	0.45	1.2
VID	19 ^{1/2}	18	17 - 22	17 ^{1/2}	26	19 ^{1/2}	25 - 28	26	56	17	1.4
	50	42	43 - 56	44	66	50	64 - 71	66	25.4	0.48	1.3

*B and J are respectively the effective depth of the seat and the effective height of the backrest

Imperial system (inches - pounds - cubic feet - yards)

Metric system (centimeters - kilograms- cubic meters- meters)

Voilà

Collection of 3 ergonomic and 4 multi-purpose models. Seat made of steel tubing with moulded foam and upholstered using the Suspension technique. Backrest made black polished aluminum and chrome and a knit cover available in 60 colors. Seat slip covers equipped with zippers to allow for easy replacement. Many available options including a removable, inflatable, height adjustable lumbar support and multiple seat sizes.



Collection

Director



VOE

Ergonomic



VOL



VOH

Multi-purpose



VOL4



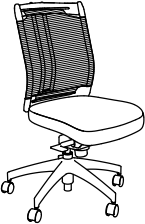
VOL6

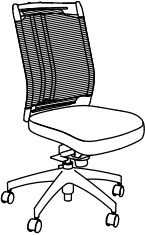


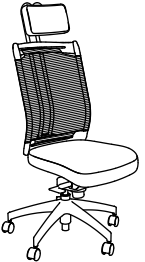
VOH4

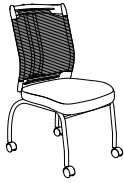


VOH6

VOL	COM						LEATHER
	A	B	C	D	E		
 <p>Low backrest</p>	S	945	965	985	1005	1025	1245
	H	965	985	1005	1025	1045	1265
	MF	1070	1090	1110	1130	1150	1370
	SS	1130	1150	1170	1190	1210	1430
	SY	1100	1120	1140	1160	1180	1400
	K	1070	1090	1110	1130	1150	1370
	P	1570	1590	1610	1630	1650	1870
	B	1465	1485	1505	1525	1545	1765

VOH	COM						LEATHER
	A	B	C	D	E		
 <p>High backrest</p>	S	990	1010	1030	1050	1070	1290
	H	1010	1030	1050	1070	1090	1310
	MF	1115	1135	1155	1175	1195	1415
	SS	1175	1195	1215	1235	1255	1475
	SY	1145	1165	1185	1205	1225	1445
	K	1115	1135	1155	1175	1195	1415
	P	1615	1635	1655	1675	1695	1915
	B	1510	1530	1550	1570	1590	1810

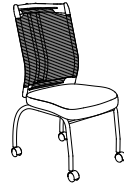
VOE	COM						LEATHER
	A	B	C	D	E		
 <p>Executive backrest</p>	S	1155	1175	1195	1215	1235	1455
	H	1175	1195	1215	1235	1255	1475
	MF	1280	1300	1320	1340	1360	1580
	SS	1340	1360	1380	1400	1420	1640
	SY	1310	1330	1350	1370	1390	1610
	K	1280	1300	1320	1340	1360	1580
	P	1780	1800	1820	1840	1860	2080
	B	1675	1695	1715	1735	1755	1975



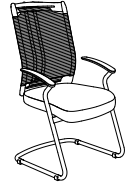
VOL4



VOL6



VOH4



VOH6

		A	^{COM} B	C	D	E	LEATHER
VOL4	Four-leg frame with casters	870	890	910	930	950	1170
VOL6	Cantilever frame with glides and 56 armrests	940	960	980	1000	1020	1240
VOH4	Four-leg frame with casters	915	935	955	975	995	1215
VOH6	Cantilever frame with glides and 56 armrests	985	1005	1025	1045	1065	1285

MECHANISMS

S	Swivel, tilt, seat height adjustment
H	Swivel, tilt, 0° lock, seat height adjustment
MF	Swivel, tilt, lock, seat height and backrest angle adjustment
SS	Swivel, tilt, lock, seat height and backrest angle adjustment, seat slider
SY	Swivel, synchro tilt 2:1, 4 position lock, seat slider, seat height adjustment
K	Swivel, knee tilt, lock, seat height adjustment
P	Swivel, knee tilt, lock, seat height and backrest angle adjustment
B	24/7 use, tilt, lock, seat height and backrest angle adjustment

GAS LIFTS

80	Gas lift 80 mm	-
100	Gas lift 100 mm	-
120	Gas lift 120 mm	-
140	Gas lift 140 mm	30
200	8" stool kit standard with S mech. (L & H backrests). E mechanism available as an option (add \$100 to the price of S mech.)	170
250	10" stool kit standard with S mech. (L & H backrests). E mechanism available as an option (add \$100 to the price of S mech.)	170

SEAT

R	Regular seat	Standard
L	Large seat, 21" L x 20" P	65
S	Small seat, 19" L x 18" P	65

ARMRESTS

	01	Height, width, standard pad	170
	01L	Height, width, soft pad	180
	01S	Height, width, S pad	180
	02	Height, width, contoured pad	160
	05	Height, width, multi-pivot, contoured gel pad	360
Adjustable	96	Height, width, depth, pivot, polyurethane pad	190
	96F	Height, width, depth, polyurethane pad	220
	96G	Height, width, depth, pivot, soft pad	220
	NEW XEL	Height, width, standard pad	180
NEW XEL99	Height, width, pads adjustable in width and depth	210	
	FB	Front/back slider (#01,01L,02)	55
	H	1 ^{1/2} " longer structure (#01,01L,02,05)	50
Fixed	11	Polypropylene, C shape	130
	12	Polypropylene, T shape	130
	27	Polyurethane, C shape	160
	30	Polyurethane and black metal, closed C shape	160
	47	Polyurethane and black metal, C shape	150
	60	Polished aluminum, C shape with polyurethane insert	210
	77	Polished aluminum, T shape with polyurethane pad	230

FRAME FINISHES

BL	Black	Standard	LB	Saphir	\$ 50/chair 4 chairs min.
SX	Black sandex	-	DB	Minuit	\$ 50/chair 4 chairs min.
CH	Charcoal	-	RD	Cardinal	\$ 50/chair 4 chairs min.
SG	Metallic grey	-	DR	Bordeaux	\$ 50/chair 4 chairs min.
WH	White	-	GR	Sauge	\$ 50/chair 4 chairs min.
WX	White sandex	-	GP	Sapin	\$ 50/chair 4 chairs min.
C	Polished chrome	\$ 105	OG	Terracotta	\$ 50/chair 4 chairs min.
PA	Polished chrome paint	\$ 50/chair 4 chairs min.	YC	Canari	\$ 50/chair 4 chairs min.

BASES AND CASTERS

SBL	Black nylon	Standard
HBL	Black nylon, high hub	-
AL	Polished aluminium (standard with mech. B)	120
HAL	Polished aluminium, high hub	120
HW	Carpet casters	Standard
SW	Hard surface casters	20
IC	3" heavy duty casters for carpet (standard with mech. B)	50
ICSW	3" heavy duty casters for hard surfaces	65
GL	Glides instead of casters	20

HEADREST OPTION (VOE)

CPH	Headrest upholstery matching seat	60
-----	-----------------------------------	----

BACKREST OPTIONS

BF	Black backrest frame	Standard
AF	Polished aluminum backrest frame	100
LU	Inflatable lumbar support	120

SEAT OPTION

PS	Pressure sensitive foam (Reg. & L seats)	105
----	--	-----

SEALED STITCHES

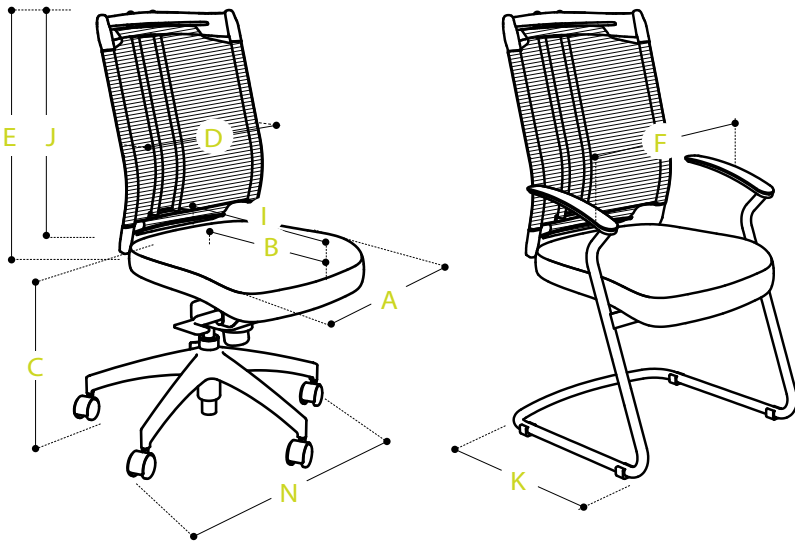
CSC	All models	160
-----	------------	-----

MESH

7209	Black	Standard
7273	Silver	-
7299	Coal	-
Choice of 57 additional colors : 5 chairs minimum		

CONTRASTED STITCHES

CCC	Different coloured thread. For leather only (visible topstitching)	75
-----	--	----



Measures	A	B*	C	D	E	F	I	J*	K	N	Weight	Volume	COM
VOL	20	18 ^{1/2}	17 - 22	18	22	-	19 ^{1/2}	21	-	24	44	16	1.0
	51	47	43 - 56	46	56	-	50	53	-	60	20	0.45	0.9
VOH	20	18 ^{1/2}	17 - 22	18	24	-	19 ^{1/2}	23	-	24	44	18	1.0
	51	47	43 - 56	46	60	-	50	58	-	60	20	0.51	0.9
VOE	20	18 ^{1/2}	17 - 22	18	30 ^{1/2} - 34	-	19 ^{1/2}	29 ^{1/2} - 33	-	26	51	21	1.0
	51	47	43 - 56	46	77 - 86	-	50	75 - 84	-	66	23.1	0.59	0.9
VOL4	20	18 ^{1/2}	18	18	22	-	19 ^{1/2}	21	26 ^{1/2}	-	38	16	1.0
	51	47	46	46	56	-	50	53	67	-	17.2	0.45	0.9
VOL6	20	18 ^{1/2}	18	18	22	23	19 ^{1/2}	21	26 ^{1/2}	-	41	16	1.0
	51	47	46	46	56	58	50	53	67	-	18.6	0.45	0.9
VOH4	20	18 ^{1/2}	18	18	24	-	19 ^{1/2}	23	26 ^{1/2}	-	39	16	1.0
	51	47	46	46	60	-	50	58	67	-	17.7	0.45	0.9
VOH6	20	18 ^{1/2}	18	18	24	23	19 ^{1/2}	23	26 ^{1/2}	-	42	16	1.0
	51	47	46	46	60	58	50	58	67	-	19	0.45	0.9

*B and J are respectively the effective depth of the seat and the effective height of the backrest

- Imperial system (inches - pounds - cubic feet - yards)
- Metric system (centimeters - kilograms - cubic meters - meters)

Wave

Collection of 1 ergonomic and 2 multi-purpose models. Seat made of steel tubing with moulded foam and upholstered using the Suspension technique. Backrest made of black or grey nylon. Seat slip covers equipped with zippers to allow for easy replacement. Many available options including a writing tablet and multiple seat sizes.



Collection

Ergonomic



WEH

Multi-purpose



WEH4



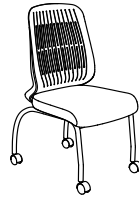
WEH6

WEH

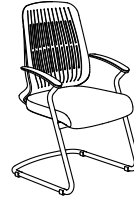


High backrest

	A	^{COM} B	C	D	E	LEATHER
S	600	620	640	660	680	900
H	620	640	660	680	700	920
Z	640	660	680	700	720	940
MF	725	745	765	785	805	1025
SS	785	810	830	850	870	1090
SY	755	775	795	815	835	1055



WEH4



WEH6

		A	^{COM} B	C	D	E	LEATHER
WEH4	Four-leg frame with casters	640	660	680	700	720	940
WEH6	Cantilever frame with glides and #56 armrests	700	720	740	760	780	1000

MECHANISMS

S	Swivel, tilt, seat height adjustment
H	Swivel, tilt, 0° lock, seat height adjustment
Z	Swivel, synchro tilt 2:1, 0° lock, seat height adjustment
MF	Swivel, tilt, lock, seat height and backrest angle adjustment
SS	Swivel, tilt, lock, seat height and backrest angle adjustment, seat slider
SY	Swivel, synchro tilt 2:1, 4 position lock, seat slider, seat height adjustment

GAS LIFTS

80	Gas lift 80 mm	-
100	Gas lift 100 mm	-
120	Gas lift 120 mm	-
140	Gas lift 140 mm	30
200	8" stool kit standard with S mech. (L & H backrests). E mechanism available as an option (add \$100 to the price of S mech.)	170
250	10" stool kit standard with S mech. (L & H backrests). E mechanism available as an option (add \$100 to the price of S mech.)	170

SEAT

R	Regular seat	Standard
L	Large seat, 21" L x 21" P	65
S	Small seat, 19" L x 18" P	65

ARMRESTS

Adjustable	01	Height, width, standard pad	170
	01L	Height, width, soft pad	180
	01S	Height, width, S pad	180
	02	Height, width, contoured pad	160
	05	Height, width, multi-pivot, contoured gel pad	360
	96	Height, width, depth, pivot, polyurethane pad	190
	96F	Height, width, depth, polyurethane pad	220
	96G	Height, width, depth, pivot, soft pad	220
	FB	Front/back slider (#01,01L,02)	55
	H	1 ^{1/2"} longer structure (#01,01L,02,05)	50
Fixed	11	Polypropylene, C shape	130
	12	Polypropylene, T shape	130
	27	Polyurethane, C shape	160
	30	Polyurethane and black metal, closed C shape	160
	47	Polyurethane and black metal, C shape	150
	60	Polished aluminum, C shape with polyurethane insert	210
	77	Polished aluminum, T shape with polyurethane pad	230

FRAME FINISHES (WEH4,WEH6)

BL	Black	Standard
SX	Black sandex	-
C	Chrome	105
Other finishes available upon request		

BASES AND CASTERS

SBL	Black nylon	Standard
HBL	Black nylon, high hub	-
AL	Polished aluminium (standard with mech. B)	120
HAL	Polished aluminium, high hub	120
HW	Carpet casters	Standard
SW	Hard surface casters	20
IC	3" heavy duty casters for carpet (standard with mech. B)	50
ICSW	3" heavy duty casters for hard surfaces	65
GL	Glides instead of casters	20

BACKREST OPTIONS

WBL	Black nylon	Standard
WGR	Grey nylon	-

SEAT OPTION

PS	Pressure sensitive foam (Reg. & L seats)	105
----	--	-----

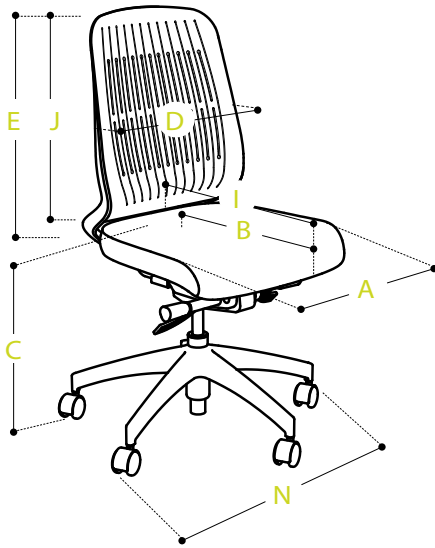
SEALED STITCHES

CSC	All models	160
-----	------------	-----

CONTRASTED STITCHES

CCC	Different coloured thread. For leather only (visible topstitching)	75
-----	--	----

Wave



Measures	A	B*	C	D	E	I	J*	N	K	Weight	Volume	COM
WEH	20	19	17 - 22	18	21 ^{1/4}	19 ^{1/2}	20 ^{1/4}	24	-	47	16	1.0
	51	48	43 - 56	46	55	50	51	60	-	21.3	0.45	0.9
WEH4	20	19	18	18	21 ^{1/4}	19 ^{1/2}	20 ^{1/4}	-	24	35	16	1.0
	51	48	46	46	55	50	51	-	60	15.9	0.45	0.9
WEH6	20	19	18	18	21 ^{1/4}	19 ^{1/2}	20 ^{1/4}	-	24	37	16	1.0
	51	48	46	46	55	50	51	-	60	16.8	0.45	0.9

*B and J are respectively the effective depth of the seat and the effective height of the backrest

Imperial system (inches - pounds - cubic feet - yards)

Metric system (centimeters - kilograms- cubic meters- meters)

Zest

Collection of 2 multi-purpose models with nesting capability. Seat made of steel tubing with moulded and cut foam and upholstered using the Suspension technique. Backrest made of steel tubing and a knit cover available in 60 colors. Seat slip covers equipped with zippers to allow for easy replacement. Many available options including a wide choice of frame finishes and a writing tablet.



Collection

Multi-purpose

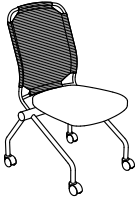


ZS4



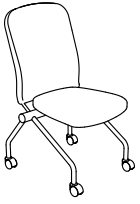
ZU4

ZS4	A	B	C	D	E	LEATHER
	585	605	625	645	665	885



Knit backrest

ZU4	A	B	C	D	E	LEATHER
	640	660	680	700	720	940



Upholstered backrest

FRAME FINISHES

BL	Black	Standard	LB	Saphir	\$ 50/chair 4 chairs min.
SX	Black sandex	-	DB	Minuit	\$ 50/chair 4 chairs min.
CH	Charcoal	-	RD	Cardinal	\$ 50/chair 4 chairs min.
SG	Metallic grey	-	DR	Bordeaux	\$ 50/chair 4 chairs min.
WH	White	-	GR	Sauge	\$ 50/chair 4 chairs min.
WX	White sandex	-	GP	Sapin	\$ 50/chair 4 chairs min.
C	Polished chrome	\$ 85	OG	Terracotta	\$ 50/chair 4 chairs min.
PA	Polished chrome paint	\$ 50/chair 4 chairs min.	YC	Canari	\$ 50/chair 4 chairs min.

CASTERS

HW	Carpet casters	Standard
SW	Hard surface casters	20
GL	Glides instead of casters	20

ARMRESTS

56	Black polyurethane - fixed	55
----	----------------------------	----

MESH

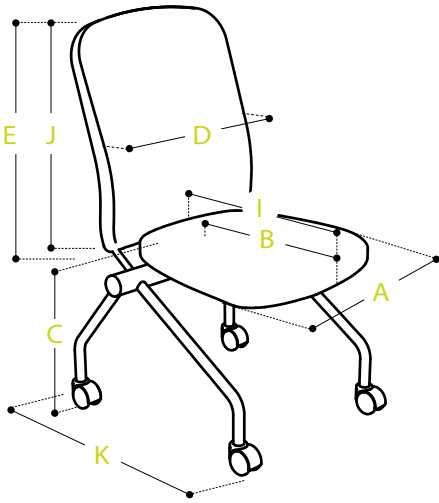
7209	Black	Standard
7209F	Black - full knit	-
7273	Silver	-
7273F	Silver - full knit	-
7299	Coal	-
7299F	Coal - full knit	-
Choice of 57 additional colors : 5 chairs minimum		

ACCESSORIES

53	Left side flip-up writing tablet made of birch plywood with high pressure laminate	320
54	Right side flip-up writing tablet made of birch plywood with high pressure laminate	320
BLL	Black laminate tablet	-
MAL	Maple laminate tablet	-

CONTRASTED STITCHES

CCC	Different coloured thread. For leather only (visible topstitching)	75
-----	--	----



Measures	A	B*	C	D	E	F	I	J*	K	Weight	Volume	COM
ZS4	18	20 ^{1/2}	19	18	20	23 ^{1/2}	18 ^{1/2}	18	23	28	14	1.0
	46	52	48	46	51	59	47	46	58	12.7	0.4	0.9
ZU4	18	20 ^{1/2}	19	18	20	23 ^{1/2}	18 ^{1/2}	18	23	30	20	1.4
	46	52	48	46	51	59	47	46	58	13.6	0.57	1.3

*B and J are respectively the effective depth of the seat and the effective height of the backrest

Imperial system (inches - pounds - cubic feet - yards)

Metric system (centimeters - kilograms- cubic meters- meters)

Loun
waitin

**age and
ng room**

Connect

Collection of several models available in 1 to 5-seats beam seating configuration allowing numerous waiting area layouts. Options include a connectivity module and fasteners to secure the beam legs to the floor.



Collection

Beams



1 seat



2 seats



3 seats



4 seats



5 seats



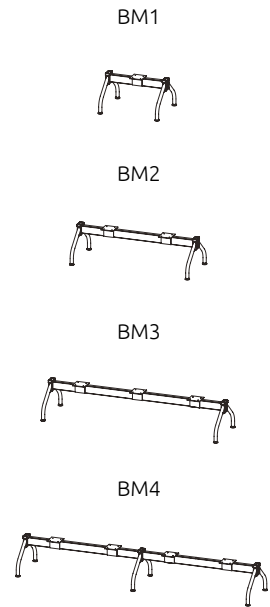
1 seat + table



3 seats + 2 tables

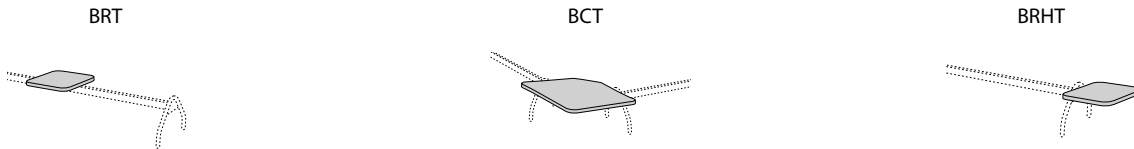
Beams

Code	Description	Price
BM1	1 seat beam (includes 2 legs)	420
BZ1	1 seat beam for flip up chair (BZS, BZU)	480
BM1C	1 seat beam with 1 end or corner table (includes 2 legs)	440
BM1CC	1 seat beam with 2 end or corner tables (includes 2 legs)	470
BM2	2 seats beam (includes 2 legs)	470
BZ2	2 seats beam for flip up chair (BZS, BZU)	555
BM2C	2 seats beam with 1 end or corner table (includes 2 legs)	505
BM2CC	2 seats beam with 2 end or corner tables (includes 2 legs)	525
BM3	3 seats beam (includes 2 legs)	555
BZ3	3 seats beam for flip up chair (BZS, BZU)	660
BM3C	3 seats beam with 1 end or corner table (includes 2 legs)	585
BM3CC	3 seats beam with 2 end or corner tables (includes 2 legs)	620
BM4	4 seats beam (includes 3 legs)	725
BM4C	4 seats beam with 1 end or corner table (includes 3 legs)	755
BM4CC	4 seats beam with 2 end or corner tables (includes 3 legs)	785
BM2HD	2 seats heavy duty beam, capacity 1000lbs	580
BM3HD	3 seats heavy duty beam, capacity 1500lbs	755



* Base not included

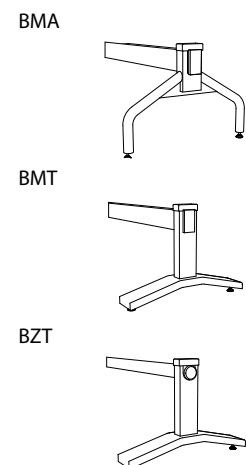
Tables



Code	Description	Price
BRT	Middle table made of 3/4" birch plywood with laminate top and clear varnish edge	450
BCT	Corner table made of 3/4" birch plywood with laminate top and clear varnish edge	650
BRHT	Cantilever end table made of 3/4" birch plywood with laminate top and clear varnish edge	450

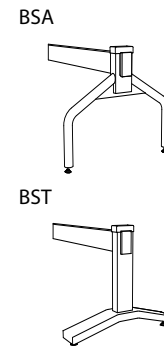
Legs for upholstered seats

Code	Description	Price
BMA	A leg (up to 3 seats)	-
BMA4	A leg (4 seats)	-
BMT	T leg (up to 3 seats)	265
BZT	T leg for flip up chair (BZS, BZU) (up to 3 seats)	265
BMT4	T leg (4 seats)	420
BMTC1	T leg, foot with chrome finish (up to 3 seats)	350
BMTC2	T leg, foot and upright with chrome finish (up to 3 seats)	470
BMTC5	T leg, foot with chrome finish (4 seats)	525
BMTC6	T leg, foot and upright with chrome finish (4 seats)	775



Legs for non-upholstered seats

Code	Description	Price
BSA	A leg (up to 3 seats)	-
BSA4	A leg (4 seats)	-
BST	T leg (up to 3 seats)	265
BST4	T leg (4 seats)	420
BSTC1	T leg, foot with chrome finish (up to 3 seats)	350
BSTC2	T leg, foot and upright with chrome finish (up to 3 seats)	470
BSTC5	T leg, foot with chrome finish (4 seats)	525
BSTC6	T leg, foot and upright with chrome finish (4 seats)	775

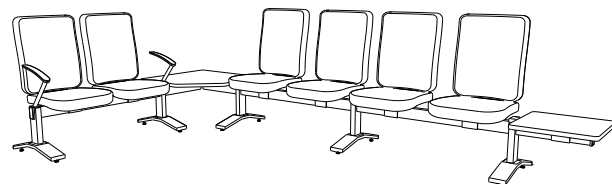


Seats and backrest

Code	Description	A	B	C	D	E
BDRL	Low backrest Desire	505	535	565	595	625
BDRH	High backrest Desire	550	580	610	640	670
BEVH	Everest 5000lbs cap, HD beams only	775	815	855	895	935
BFXL	Low backrest Flex	525	555	585	615	645
BFXH	High backrest Flex	570	600	630	660	690
BMLH	Malla	610	630	650	670	690
BTAL	Low backrest Tact	660	680	700	720	740
BTAH	High backrest Tact	705	725	745	765	785
BTPL	Low backrest Top	460	490	520	550	580
BTPH	High backrest Top	505	535	565	595	625
BVIL	Low backrest Viva	505	535	565	595	625
BVIH	High backrest Viva	590	620	650	680	710
BVOL	Low backrest Voilà	755	775	795	815	835
BVOH	High backrest Voilà	800	820	840	860	880
BZS	Zest with mesh backrest	470	490	510	530	550
BZU	Zest with upholstered backrest	525	555	585	615	645
BAV	Arriva	390				
BCM	Camelia	400				
BCL	Clover	400				
BCO	Colori	360				
BGO	Golf	420				
BPN	Penta	335				

Codification example

Quantity	Code
1	BM2C-BMT-SX
1	BM4CC-BMT4-SX
6	BVIH-#upholstery
1	B66-SX
1	BCT-BLL
1	BRHT-BLL



FINISHES (SEATS BCL, BGO, BCM)

65	Natural maple	Standard
AC	Color on request : 25 chairs minimum	90
LOC	Laminated (Standard products) minimum 25 chairs	130

BEAMS AND LEGS FINISHES

SX	Black sandex	Standard
CH	Charcoal grey	-
SG	Metallic grey	-
Other finishes available upon request		

FIXED ARMRESTS (PRICE PER PAIR)

B27	Polyurethane, C shape	160
B30	Polyurethane and black metal, closed C shape	160
B50	Polypropylene (BPN)	45
B66	Sandex black frame, PVC armrest (BAV, BCO, BPN, BSE)	75
B66SH	Sandex black frame, PVC armrest (BCM, BCL, BGO)	75
B66ZS	Sandex black frame, PVC armrest (BZS, BZU)	75

ACCESSORIES

53	Left side writing tablet made of 3/4" birch plywood with high pressure laminate top and clear varnish edge	320
54	Right side writing tablet made of 3/4" birch plywood with high pressure laminate top and clear varnish edge	320
BLL	Black laminate tablet	-
MAL	Maple laminate tablet	-
CU011N	Black connectivity module	650
CU011W	White connectivity module	650
FAS	Ground fasteners (for 4)	30
GSS	Ganging elements (for 2)	20

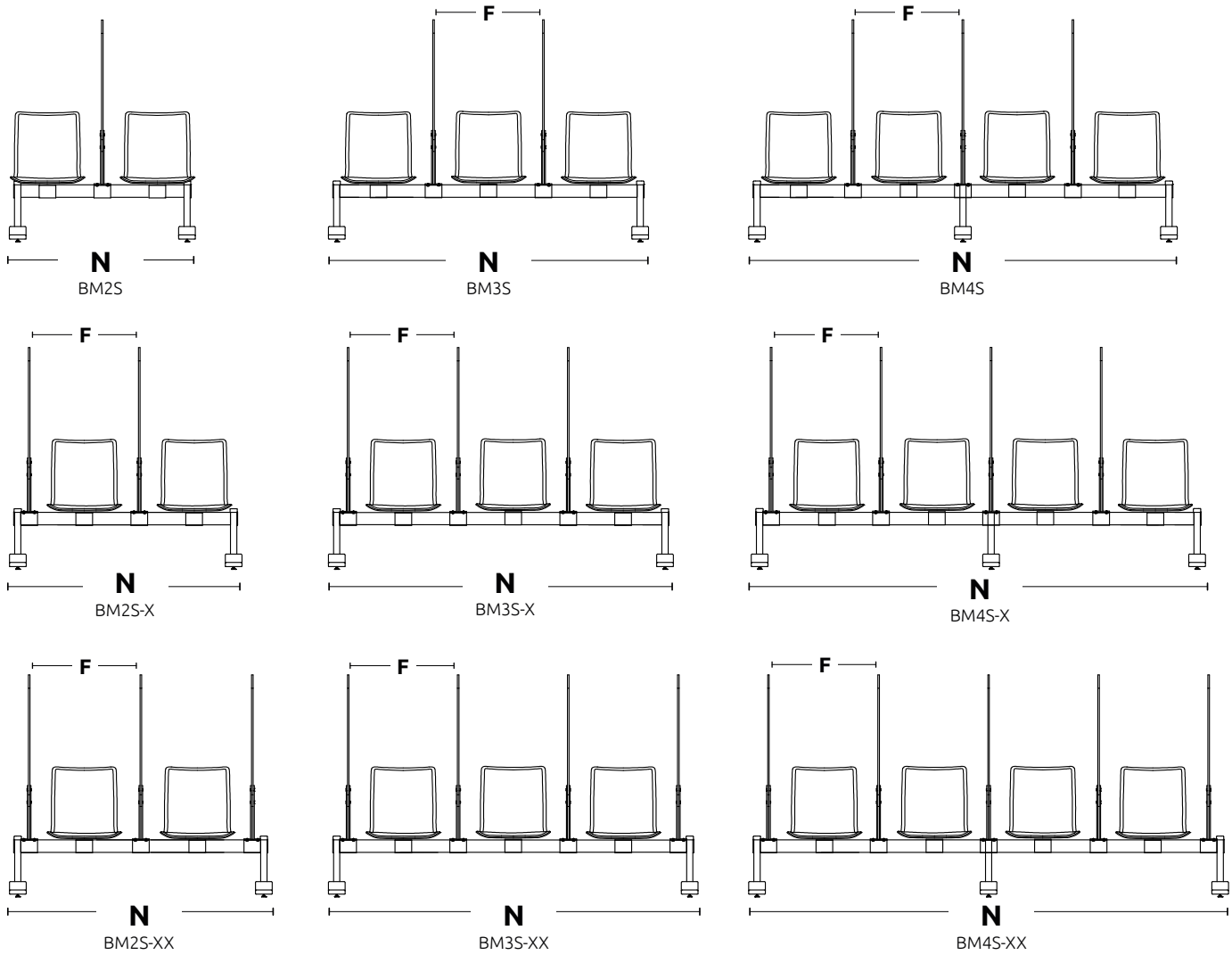
SEAT AND BACKREST

	Code	A	COM B	C	D	E	COM
Upholstered backrest (BAV, BPN)	CPB	125	145	165	185	205	0.9
Upholstered seat (BAV, BCM, BCL, BCO, BGO, BPN, BSE)	CPS	125	145	165	185	205	0.9

SANO PRIVACY PANELS

PTC	3/8" thick plexiglass panel with clear finish	750
PGF	3/8" thick plexiglass panel with frosted finish	750
PTT	3/8" thick plexiglass panel with tinted finish	850

Sano panel configuration on Connect

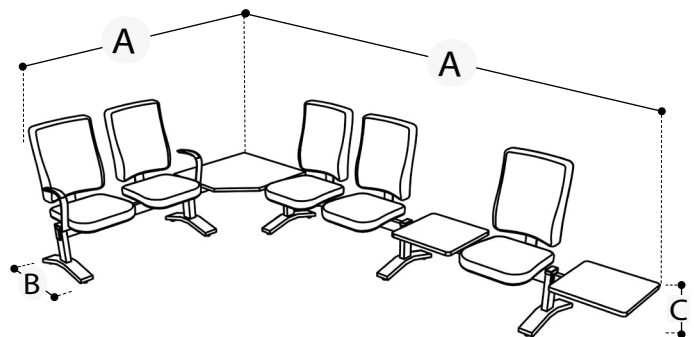


Code	Description	F	N
BM2S	Beam with seats and Sano only between the seats.	-	47 ^{3/4}
BM3S	Beam with seats and Sano only between the seats.	26	74 ^{1/4}
BM4S	Beam with seats and Sano only between the seats.	26	100 ^{1/2}
BM2S-X	Beam with seats and Sano at one end and between the seats.	26	53 ^{1/4}
BM3S-X	Beam with seats and Sano at one end and between the seats.	26	80 ^{1/4}
BM4S-X	Beam with seats and Sano at one end and between the seats.	26	107
BM2S-XX	Beam with seats and Sano at both ends and between the seats.	26	60 ^{1/2}
BM3S-XX	Beam with seats and Sano at both ends and between the seats.	26	87
BM4S-XX	Beam with seats and Sano at both ends and between the seats.	26	113 ^{1/4}

Measures	A	B	C	Weight	Volume
BM1/BZ1	21 ^{1/8}	20 ^{1/2}	18	25	4.2
	54	52	46	11.3	0.12
BM1C	37 ^{5/8}	20 ^{1/2}	18	27	7.2
	96	52	46	12.2	0.2
BM1CC		20 ^{1/2}	18	29	8.3
		52	46	13.2	0.23
BM2/BZ2	54 ^{1/4}	20 ^{1/2}	18	30	8.5
	138	52	46	13.6	0.24
BM2C	61 ^{1/8}	20 ^{1/2}	18	32	11.7
	155	52	46	14.5	0.33
BM2CC	77 ^{5/8}	20 ^{1/2}	18	34	14.7
	197	52	46	15.4	0.42
BM3/BZ3	68 ^{1/8}	20 ^{1/2}	18	35	13
	173	52	46	15.9	0.37
BM3C	84 ^{5/8}	20 ^{1/2}	18	37	16.0
	215	52	46	16.8	0.45
BM3CC	101 ^{1/8}	20 ^{1/2}	18	39	19.2
	257	52	46	17.7	0.54
BM4	91 ^{5/8}	20 ^{1/2}	18	45	17.3
	233	52	46	20.4	0.49
BM4C	108 ^{1/8}	20 ^{1/2}	18	47	20.5
	275	52	46	21.3	0.58
BM4CC	124 ^{5/8}	20 ^{1/2}	18	49	23.5
	317	52	46	22.2	0.67
BM2HD	45	20 ^{1/2}	18	37	8.5
	114	52	46	16.8	0.24
BM3HD	69	20 ^{1/2}	18	40	16.0
	175	52	46	18.1	0.45
BRT	19	20 ^{1/2}	18	4	0.3
	48	52	46	1.8	0.008
BCT	30	20 ^{1/2}	18	8	0.6
	76	52	46	3.6	0.02

Imperial system (inches - pounds - cubic feet - yards)

Metric system (centimeters - kilograms - cubic meters - meters)



Sano

In order to ensure the protection and safety of all in public spaces, ADI designs various solutions for plexiglass divisions. Suitable for several uses such as Connect and Zest row waiting room system as well as the self standing module.



Collection



SN53



SN57



SN64



SN67



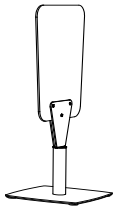
SN74



SN80

SN53

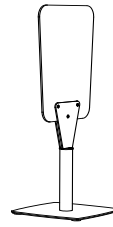
SN53 950



3/8" thick plexiglass panel with
metallic rounded sides square
base with 3" diameter metal
tube

SN57

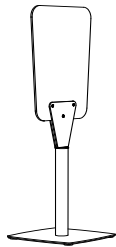
SN57 960



3/8" thick plexiglass panel with
metallic rounded sides square
base with 3" diameter metal
tube

SN64

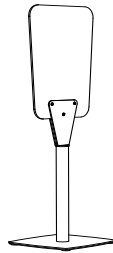
SN64 970



3/8" thick plexiglass panel with
metallic rounded sides square
base with 3" diameter metal
tube

SN67

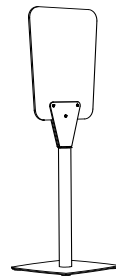
SN67 980



3/8" thick plexiglass panel with
metallic rounded sides square
base with 3" diameter metal
tube

SN74

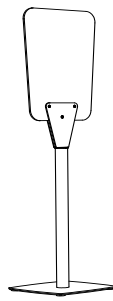
SN74 990



3/8" thick plexiglass panel with
metallic rounded sides square
base with 3" diameter metal
tube

SN80

SN80 1000



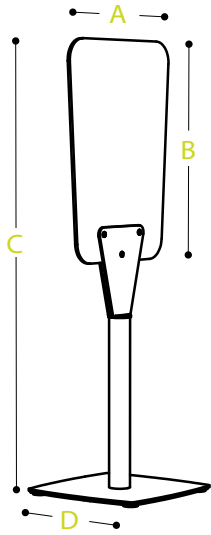
3/8" thick plexiglass panel with
metallic rounded sides square
base with 3" diameter metal
tube

FRAME FINISHES

BL	Black	Standard	LB	Saphir	\$ 50/panel 4 panels min.
SX	Black sandex	-	DB	Minuit	\$ 50/panel 4 panels min.
CH	Charcoal	-	RD	Cardinal	\$ 50/panel 4 panels min.
SG	Metallic grey	-	DR	Bordeaux	\$ 50/panel 4 panels min.
WH	White	-	GR	Sauge	\$ 50/panel 4 panels min.
WX	White sandex	-	GR	Sapin	\$ 50/panel 4 panels min.
PA	Polished chrome	\$ 50/panel 4 panels min.	OG	Terracotta	\$ 50/panel 4 panels min.
			YC	Canari	\$ 50/panel 4 panels min.

PLEXIGLASS FINISHES

PTC	Clear finish	Standard
PGF	Frosted finish	-
PTT	Tinted finish	100



Measures	A	B*	C	D	Weight
SN53	23 ^{1/2}	31 ^{1/2}	53	20	64
	59	80	135	51	29
SN57	23 ^{1/2}	31 ^{1/2}	57	20	67
	59	80	145	51	30.4
SN57	23 ^{1/2}	31 ^{1/2}	64	20	70
	59	80	163	51	31.8
SN64	23 ^{1/2}	31 ^{1/2}	67	20	71
	59	80	170	51	32.2
SN67	23 ^{1/2}	31 ^{1/2}	74	20	73
	59	80	188	51	33.1
SN80	23 ^{1/2}	31 ^{1/2}	80	20	75
	59	80	203	51	34

Imperial system (inches - pounds - cubic feet - yards)

Metric system (centimeters - kilograms- cubic meters- meters)

Mars 1.0

Collection of 21 lounge and waiting room models. Seat and backrest made of plywood with high density foam and upholstered using the Suspension technique. Square tubular frame offered in regular or light profile. Many available options including a connectivity module and writing tablets.



Collection



MR1R



MR2R



MR3R



MR1S



MR2S



MR3S



MRB1R



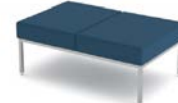
MRB2R



MRB3R



MRB1S



MRB2S



MRB3S



MRC1R



MRC2R



MRC3R



MRC1S



MRC2S



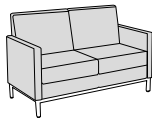
MRC3S

Armchairs

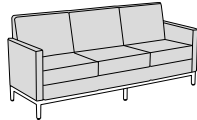
MR1R



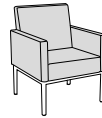
MR2R



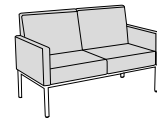
MR3R



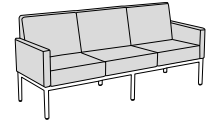
MR1S



MR2S



MR3S



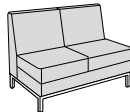
Code	Description	A	B	C	D	E	Leather
MR1R	1 seat regular profile armchair	1730	1790	1850	1910	1970	2930
MR2R	2 seats regular profile armchair	2500	2590	2680	2770	2860	4300
MR3R	3 seats regular profile armchair	3260	3380	3500	3620	3740	5660
MR1S	1 seat light profile armchair	1580	1640	1700	1760	1820	2780
MR2S	2 seats light profile armchair	2350	2440	2530	2620	2710	4150
MR3S	3 seats light profile armchair	3110	3230	3350	3470	3590	5510

Armchairs without armrests

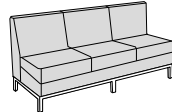
MRC1R



MRC2R



MRC3R



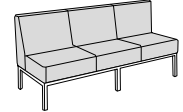
MRC1S



MRC2S



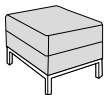
MRC3S



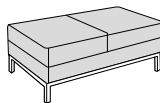
Code	Description	A	B	C	D	E	Leather
MRC1R	1 seat regular profile armchair without armrests	1405	1465	1525	1585	1645	2605
MRC2R	2 seats regular profile armchair without armrests	2175	2265	2355	2445	2535	3975
MRC3R	3 seats regular profile armchair without armrests	2935	3055	3175	3295	3415	5335
MRC1S	1 seat light profile armchair without armrests	1255	1315	1375	1435	1495	2455
MRC2S	2 seats light profile armchair without armrests	2025	2115	2205	2295	2385	3825
MRC3S	3 seats light profile armchair without armrests	2785	2905	3025	3145	3265	5185

Benches

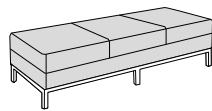
MRB1R



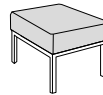
MRB2R



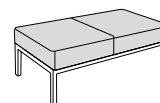
MRB3R



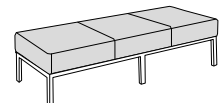
MRB1S



MRB2S



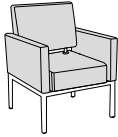
MRB3S



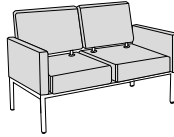
Code	Description	A	B	C	D	E	Leather
MRB1R	1 seat regular profile bench	1130	1190	1250	1310	1370	2330
MRB2R	2 seats regular profile bench	1625	1715	1805	1895	1985	3425
MRB3R	3 seats regular profile bench	2110	2230	2350	2470	2590	4510
MRB1S	1 seat light profile bench	980	1040	1100	1160	1220	2180
MRB2S	2 seats light profile bench	1475	1565	1655	1745	1835	3275
MRB3S	3 seats light profile bench	1960	2080	2200	2320	2440	4360

Armchairs with gaps between seat, backrest and armrests

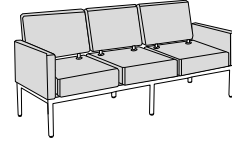
MH1



MH2



MH3



Code	Description	A	B	C	D	E
MH1	1 seat armchair	1950	2010	2070	2130	2190
MH2	2 seats armchair	3150	3240	3330	3420	3510
MH3	3 seats armchair	4350	4470	4590	4710	4830

STRUCTURE, LEGS AND CASTERS (REGULAR PROFILE)

ST	Metal frame with tubular legs				Standard
LS3	Square legs				-

FRAME FINISHES AND LEGS

BL	Black	Standard	LB	Saphir	\$ 50/seat 4 seats min.
SX	Black sandex	-	DB	Minuit	\$ 50/seat 4 seats min.
CH	Charcoal	-	RD	Cardinal	\$ 50/seat 4 seats min.
SG	Metallic grey	-	DR	Bordeaux	\$ 50/seat 4 seats min.
WH	White	-	GR	Sauge	\$ 50/seat 4 seats min.
WX	White sandex	-	GP	Sapin	\$ 50/seat 4 seats min.
C	Polished chrome (MH1, MH2)	\$ 380	OG	Terracotta	\$ 50/seat 4 seats min.
C	Polished chrome (MH3)	\$ 540	YC	Canari	\$ 50/seat 4 seats min.
PA	Polished chrome paint	\$ 50/seat 4 seats min.			

UPHOLSTERY

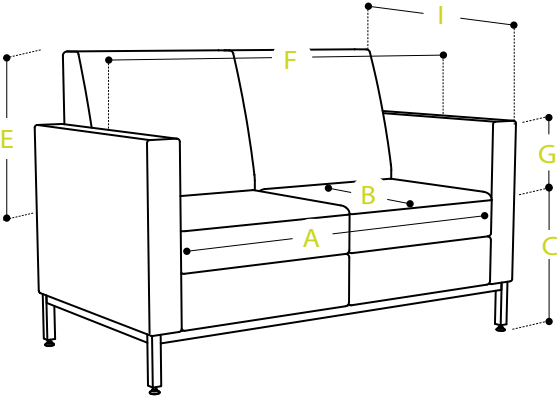
AD	Seat and backrest upholstered with different colors				70
----	---	--	--	--	----

ACCESSORIES

53	Left side writing tablet made of ¾" birch plywood with high pressure laminate top and clear varnish edge				320
54	Right side writing tablet made of ¾" birch plywood with high pressure laminate top and clear varnish edge				320
BLL	Black laminate tablet				-
MAL	Maple laminate tablet				-
CC120N	Metallic grey connectivity module (regular profile)				650
FAS	Ground fasteners (for 4)				30
GSS	Ganging elements (for 2)				20

COUTURES SCELLÉES

CSC	1 seat armchair				330
CSC	2 seats armchair				440
CSC	3 seats armchair				550



Measures	A	B*	C	E	F	G	H	I	Weight	Volume	COM
MR1R	22	19	17 ^{1/2}	17	29	7 ^{1/2}	34	27	60	20	4.5
	56	50	46	43	75	19	88	69	27.2	0.57	4.1
MR2R	44	19	17 ^{1/2}	17	51 ^{1/2}	7 ^{1/2}	34	27	104	34	7.0
	112	50	46	43	131	19	88	69	47.2	0.96	6.4
MR3R	66	19	17 ^{1/2}	17	74 ^{1/2}	7 ^{1/2}	34	27	148	48	9.0
	168	50	46	43	189	19	88	69	67.1	1.36	8.2
MR1S	22	19	17 ^{1/2}	17	29	8 ^{1/2}	34	27	53	20	3.5
	56	50	46	43	75	22	88	69	24	0.57	3.2
MR2S	44	19	17 ^{1/2}	17	51 ^{1/2}	8 ^{1/2}	34	27	91	34	5.5
	112	50	46	43	131	22	88	69	41.2	0.96	5
MR3S	66	19	17 ^{1/2}	17	74 ^{1/2}	8 ^{1/2}	34	27	129	48	7.5
	168	50	46	43	189	22	88	69	58.5	1.6	6.8
MRC1R	22	19	17 ^{1/2}	17	22	-	34	27	44	15	3.0
	56	50	46	43	56	-	88	69	20	0.42	2.7
MRC2R	44	19	17 ^{1/2}	17	44	-	34	27	88	30	5.0
	112	50	46	43	112	-	88	69	40	0.85	4.6
MRC3R	66	19	17 ^{1/2}	17	66	-	34	27	132	44	7.5
	168	50	46	43	168	-	88	69	59.8	1.25	6.9
MRC1S	22	19	17 ^{1/2}	17	22	-	34	27	38	15	2.5
	56	50	46	43	56	-	88	69	17.2	0.42	2.3
MRC2S	44	19	17 ^{1/2}	17	44	-	34	27	76	30	3.0
	112	50	46	43	112	-	88	69	34.4	0.85	2.8
MRC3S	66	19	17 ^{1/2}	17	66	-	34	27	114	44	6.0
	168	50	46	43	168	-	88	69	51.7	1.25	5.5
MRB1R	22	27	17 ^{1/2}	-	22	-	17 ^{1/2}	27	20	8	2.0
	56	69	46	-	56	-	46	69	9	0.23	1.83
MRB2R	44	27	17 ^{1/2}	-	44	-	17 ^{1/2}	27	40	16	3.0
	112	69	46	-	112	-	46	69	18.1	0.45	2.7
MRB3R	66	27	17 ^{1/2}	-	66	-	17 ^{1/2}	27	60	23	4.0
	168	69	46	-	168	-	46	69	27.2	0.65	3.7
MRB1S	22	27	17 ^{1/2}	-	22	-	17 ^{1/2}	27	15	8	1.5
	56	69	46	-	56	-	46	69	6.8	0.23	1.4
MRB2S	44	27	17 ^{1/2}	-	44	-	17 ^{1/2}	27	30	16	2.0
	112	69	46	-	112	-	46	69	13.6	0.45	1.8
MRB3S	66	27	17 ^{1/2}	-	66	-	17 ^{1/2}	27	45	23	3.0
	168	69	46	-	168	-	46	69	20.4	0.65	2.7
MH1	22 ^{1/2}	19 ^{1/2}	17 ^{1/2}	15	32	8 ^{1/2}	35	27	53	21	3.5
	57	50	46	38	81	22	89	69	24	0.59	3.2
MH2	46	19 ^{1/2}	17 ^{1/2}	15	56	8 ^{1/2}	35	27	91	37	5.5
	117	50	46	38	142	22	89	69	41.2	1.04	5
MH3	69 ^{1/2}	19 ^{1/2}	17 ^{1/2}	15	79	8 ^{1/2}	35	27	129	51	7.5
	177	50	46	38	200	22	89	69	58.5	1.44	6.9

Imperial system (inches - pounds - cubic feet - yards)

Metric system (centimeters - kilograms - cubic meters - meters)

Mars 2.0

Mars 2.0 is the ideal product for collaborative spaces, informal meetings or elegant waiting areas. Optional privacy panels provide visual and acoustic insulation. The system has a wide variety of configuration options that will create high performance and attractive spaces.



Collection



Bench 45°



Bench 90°



1 Seat Bench



1 Seat + Armrests



1 Seat + Panels



2 Seats + Armrests



2 Seats + Panels



3 Seats Bench



3 Seats + Armrests



3 Seats + Panels

Tables



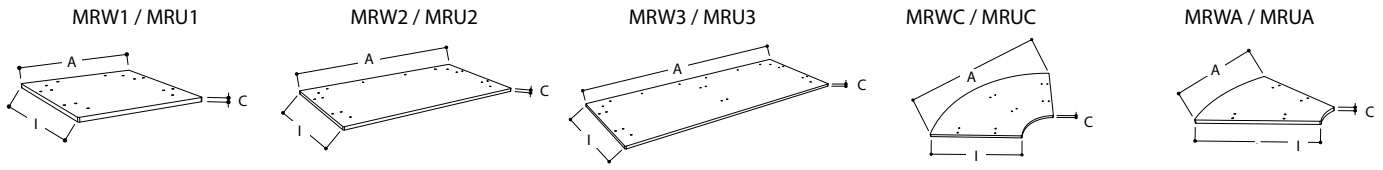
MTM



TC19



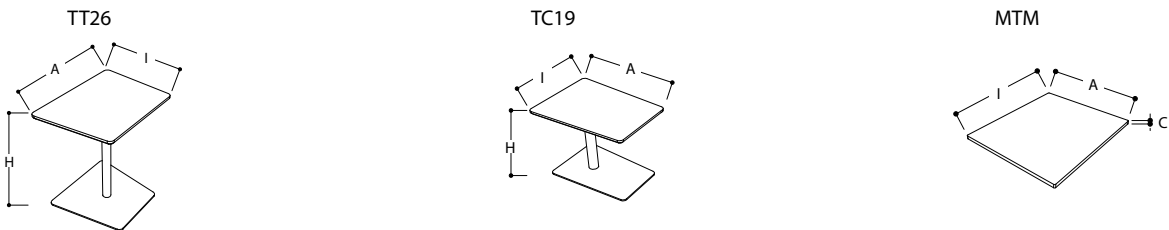
TT26



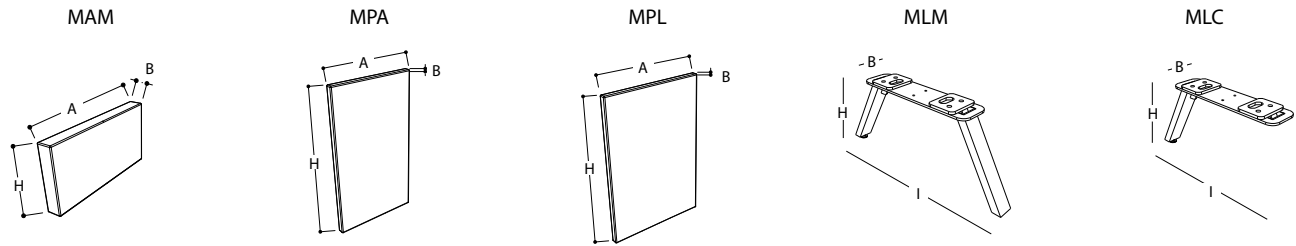
Code	Description	A	B	C	D	E
MRW1	1 seat birch plywood frame with clear varnish edge	350				
MRU1	1 seat birch plywood frame with upholstered edge	350	370	390	410	430
MRW2	2 seats birch plywood frame with clear varnish edge	540				
MRU2	2 seats birch plywood frame with upholstered edge	590	620	650	680	710
MRW3	3 seats birch plywood frame with clear varnish edge	1080				
MRU3	3 seats birch plywood frame with upholstered edge	1180	1230	1280	1330	1380
MRWC	90° corner bench birch plywood frame with clear varnish edge	540				
MRUC	90° corner bench birch plywood frame with upholstered edge	590	620	650	680	710
MRWA	45° angle bench birch plywood frame with clear varnish edge	350				
MRUA	45° angle bench birch plywood frame with upholstered edge	350	370	390	410	430



Code	Description	A	B	C	D	E
MRB	Bench	460	490	520	550	580
MRD	Seat with backrest	760	810	860	910	960
MRC	90° corner bench	820	870	920	970	1020
MRA	45° angle bench	705	735	765	795	825



Code	Description	Price
TT26	Working table made of 3/4" birch plywood with high pressure laminate top and clear varnish edge.	870
TC19	Coffee table made of 3/4" birch plywood with high pressure laminate top and clear varnish edge.	850
MTM	Modular table made of 3/4" birch plywood with high pressure laminate top and clear varnish edge.	540



Code	Description	A	B	C	D	E
MAM	Modular armrest	280	300	320	340	360
MPA	Modular back panel	380	410	440	470	500
MPL	Modular side panel (With MPA only)	430	480	530	580	630
MLM	Modular leg	220				
MLC	Modular leg for 90° corner frames	165				

LEGS AND TABLE BASES FINISHES

BL	Black	Standard	LB	Saphir	\$ 50/leg
SX	Black sandex	-	DB	Minuit	\$ 50/leg
CH	Charcoal	-	RD	Cardinal	\$ 50/leg
SG	Metallic grey	-	DR	Bordeaux	\$ 50/leg
WH	White	-	GR	Sauge	\$ 50/leg
WX	White sandex	-	GP	Sapin	\$ 50/leg
C	Polished chrome	\$ 105/leg	OG	Terracotta	\$ 50/leg
PA	Polished chrome paint	\$ 50/leg	YC	Canari	\$ 50/leg

TABLETOP FINISHES

BLL	Black laminate tablet	-
MAL	Maple laminate tablet	-

ACCESSORIES

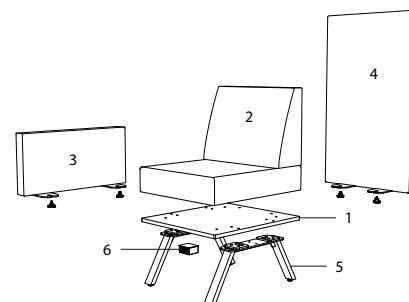
CU120N	Black connectivity module (regular profile)	710
--------	---	-----

UPHOLSTERY

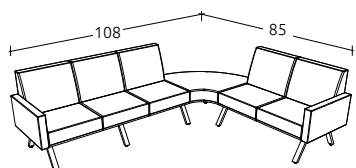
AD	Seat and backrest upholstered with different colors	70
----	---	----

* Grade A prices

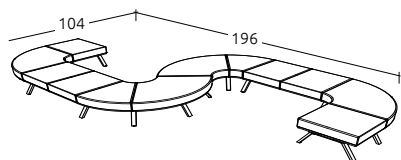
Construction example	No	Code
1 seat frame	1	MRW1
Seat with backrest	2	MRD
Modular armrest	3	MAM
Modular back panel	4	MPA
Modular leg	5	MLM
Connectivity module	6	CU120N



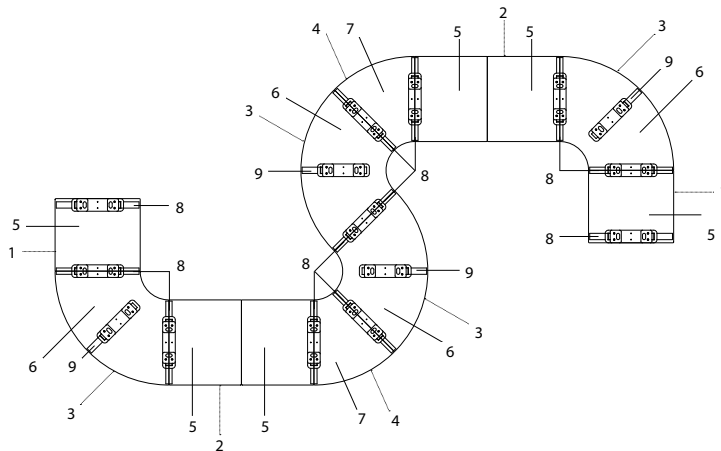
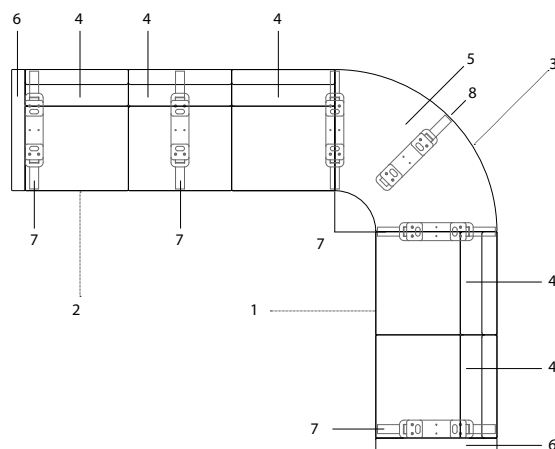
Configuration example (Grade A)



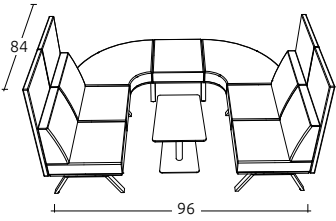
No	Code	Description	Quantity	Price	Total
1	MRU2	2 seats frame	1	\$ 590	\$ 590
2	MRU3	3 seats frame	1	\$ 1180	\$ 1180
3	MRUC	90° corner frame	1	\$ 590	\$ 590
4	MRD	Seat with backrest	5	\$ 760	\$ 3800
5	MRC	90° corner bench	1	\$ 820	\$ 820
6	MAM	Modular armrest	2	\$ 280	\$ 560
7	MLM	Modular leg	5	\$ 220	\$ 1100
8	MLC	leg for 90° corner frames	1	\$ 165	\$ 165
					\$ 8805



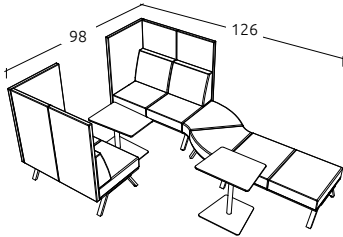
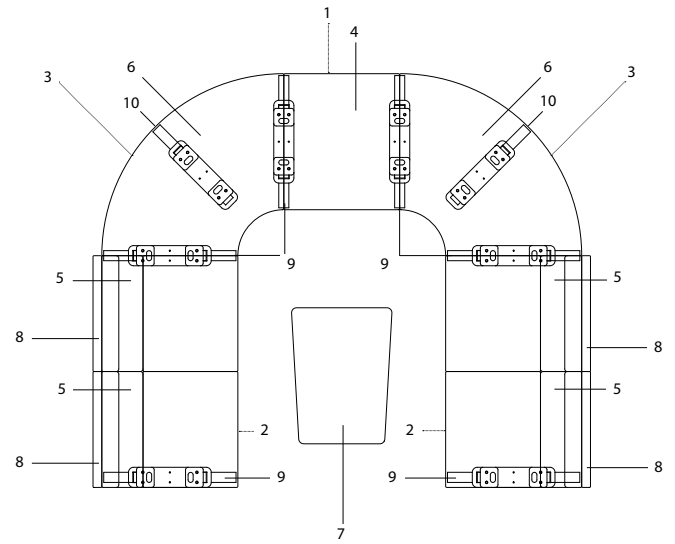
No	Code	Description	Quantity	Price	Total
1	MRW1	1 seat frame	2	\$ 350	\$ 700
2	MRW2	2 seats frame	2	\$ 540	\$ 1080
3	MRWC	90° corner frame	4	\$ 540	\$ 2160
4	MRWA	45° angle bench	2	\$ 350	\$ 700
5	MRB	Bench	6	\$ 460	\$ 2760
6	MRC	90° corner bench	4	\$ 820	\$ 3280
7	MRA	45° angle bench	2	\$ 705	\$ 1410
8	MLM	Modular leg	11	\$ 220	\$ 2420
9	MLC	leg for 90° corner frames	4	\$ 165	\$ 660
					\$ 15170



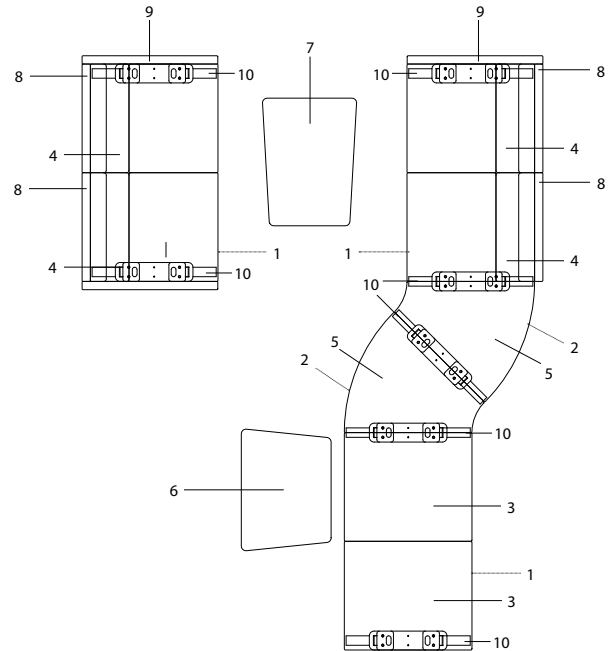
Mars 2.0



No	Code	Description	Quantity	Price	Total
1	MRW1	1 seat frame	1	\$ 350	\$ 350
2	MRW2	2 seats frame	2	\$ 540	\$ 1080
3	MRWC	90° corner frame	2	\$ 540	\$ 1080
4	MRB	Bench	1	\$ 460	\$ 460
5	MRD	Seat with backrest	4	\$ 760	\$ 3040
6	MRC	90° corner bench	2	\$ 820	\$ 1640
7	TC19	Coffee table	1	\$ 850	\$ 850
8	MPA	Modular back panel	4	\$ 380	\$ 1520
9	MLM	Modular leg	6	\$ 220	\$ 1320
10	MLC	leg for 90° corner frames	2	\$ 165	\$ 330
					\$ 11670



No	Code	Description	Quantity	Price	Total
1	MRW2	2 seats frame	3	\$ 540	\$ 1620
2	MRWA	45° angle bench	2	\$ 350	\$ 700
3	MRB	Bench	2	\$ 460	\$ 920
4	MRD	Seat with backrest	4	\$ 760	\$ 3040
5	MRA	45° angle bench	2	\$ 705	\$ 1410
6	TT26	working table	1	\$ 870	\$ 870
7	TC19	Coffee table	1	\$ 850	\$ 850
8	MPA	Modular back panel	4	\$ 380	\$ 1520
9	MPL	Modular side panel	2	\$ 430	\$ 860
10	MLM	Modular leg	7	\$ 220	\$ 1540
					\$ 13330



Measures	A	B*	C	E	H	I	Weight	Volume	COM
MRW1/MRU1	23	-	3/4	-	-	26 ^{1/4}	10	-	1.0
	58	-	2	-	-	67	4.5	-	0.9
MRW2/MRU2	46	-	3/4	-	-	26 ^{1/4}	20	-	1.5
	142	-	2	-	-	67	9	-	1.4
MRW3/MRU3	69	-	3/4	-	-	26 ^{1/4}	30	-	2.2
	175	-	2	-	-	67	13.6	-	2.0
MRWC/MRUC	50 ^{1/4}	-	3/4	-	-	26 ^{1/4}	18	-	2.0
	128	-	2	-	-	67	8.2	-	1.8
MRWA/MRUA	27 ^{1/4}	-	3/4	-	-	26 ^{1/4}	9	-	1.0
	69	-	2	-	-	67	4	-	0.9
MRB	23	27	6	17	-	27	12	3	1.8
	58	38	15	43	-	68	5.4	0.08	1.6
MRD	23	19 ^{1/2}	6	16 ^{1/2}	22 ^{1/4}	27	26	9	2.8
	8	50	15	42	-	68	11.7	0.25	2.6
MRC	51	-	6	-	-	27	24	5	2.0
	129	-	15	-	-	68	10.8	0.14	1.8
MRA	27 ^{1/2}	-	6	-	-	27	13	3	1.5
	70	-	15	-	-	68	5.9	0.08	1.4
TT26	25 ^{3/4}	-	1	-	26 ^{1/2}	19	57	8	-
	65	-	2.5	-	68	48	25.8	0.22	-
TC19	27	-	1	-	19 ^{1/2}	17 - 20	55	7	-
	68	-	2.5	-	50	43 - 51	25	0.20	-
MTM	23	-	1	-	-	26 ^{1/4}	10	1	-
	58	-	2.5	-	-	67	4.5	0.02	-
MAM	27	3	-	-	13 ^{1/2}	-	12	1	1.2
	68	7.6	-	-	34	-	5.4	0.02	1.1
MPA	23	1 ^{3/4}	-	-	40	-	18	2	2.0
	58	4.4	-	-	102	-	8.2	0.06	1.8
MPL	29	1 ^{3/4}	-	-	40	-	20	2	2.3
	74	4.4	-	-	102	-	9	0.06	2.0
MLM	-	2	-	-	11 ^{1/2}	26 ^{1/2}	11	1	-
	-	5	-	-	29	68	5	0.02	-
MLC	-	2	-	-	11 ^{1/2}	-	8	1	-
	-	5	-	-	29	-	3.6	0.02	-

Imperial system (inches - pounds - cubic feet - yards)

Metric system (centimeters - kilograms- cubic meters- meters)

Maya

Collection of 3 lounge and waiting room models. Seat and backrest made of plywood with high density foam and upholstered using the Suspension technique. Many leg types and finishes available.



Collection



MY1

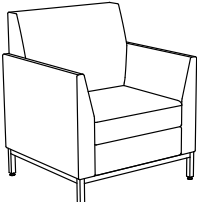


MY2



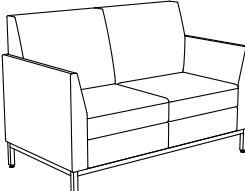
MY3

MY1	A	<small>COM</small> B	C	D	E	LEATHER
	1830	1890	1950	2010	2070	3030



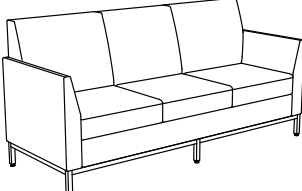
1 seat armchair

MY2	A	<small>COM</small> B	C	D	E	LEATHER
	2600	2690	2780	2870	2960	4400



2 seats armchair

MY3	A	<small>COM</small> B	C	D	E	LEATHER
	3360	3480	3600	3720	3840	5760



3 seats armchair

LEGS

LS3 Square legs

Standard

FRAME FINISHES

BL	Black	Standard	LB	Saphir	\$ 50/seat 4 seats min.
SX	Black sandex	-	DB	Minuit	\$ 50/seat 4 seats min.
CH	Charcoal	-	RD	Cardinal	\$ 50/seat 4 seats min.
SG	Metallic grey	-	DR	Bordeaux	\$ 50/seat 4 seats min.
WH	White	-	GR	Sauge	\$ 50/seat 4 seats min.
WX	White sandex	-	GP	Sapin	\$ 50/seat 4 seats min.
C	Polished chrome (MY1, MY2)	\$ 330	OG	Terracotta	\$ 50/seat 4 seats min.
C	Polished chrome (MY3)	\$ 540	YC	Canari	\$ 50/seat 4 seats min.
PA	Polished chrome paint	\$ 50/seat 4 seats min.			

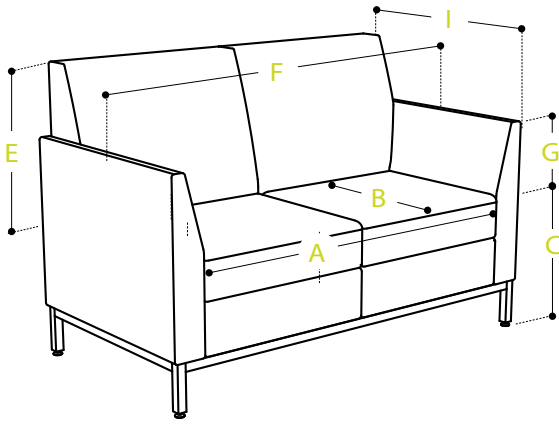
UPHOLSTERY

AD Seat and backrest upholstered with different colors

70

ACCESSORIES

CC120N	Metallic grey connectivity module	650
FAS	Ground fasteners (for 4)	30
GSS	Ganging elements (for 2)	20



Measures	A	B*	C	E	F	G	H	I	Weight	Volume	COM
MY1	22	19 ^{1/2}	18	17	29 ^{1/2}	7 ^{1/2}	34 ^{1/2}	27	60	20	4.5
	56	50	46	43	75	19	88	69	27.2	0.57	4.1
MY2	44	19 ^{1/2}	18	17	51 ^{1/2}	7 ^{1/2}	34 ^{1/2}	27	104	35	7.0
	112	50	46	43	131	19	88	69	47.2	0.99	6.4
MY3	66	19 ^{1/2}	18	17	73 ^{3/4}	7 ^{1/2}	34 ^{1/2}	27	148	9	9.0
	168	50	46	43	188	19	88	69	67.1	0.25	8.2

Imperial system (inches - pounds - cubic feet - yards)

Metric system (centimeters - kilograms - cubic meters - meters)

Venus

Collection of 6 lounge and waiting room models. Seat and backrest made of plywood with high density foam and upholstered using the Suspension technique. Square tubular frame offered in regular or light profile. Optional writing tablets.



Collection



VU1R



VU2R



VU3R



VU1S

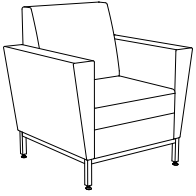


VU2S



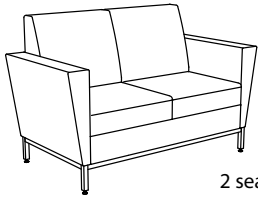
VU3S

VU1R	A	COM B	C	D	E	LEATHER
	1730	1790	1850	1910	1970	2930



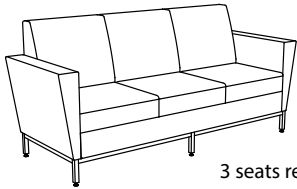
1 seat regular profile armchair

VU2R	A	COM B	C	D	E	LEATHER
	2500	2590	2680	2770	2860	4300



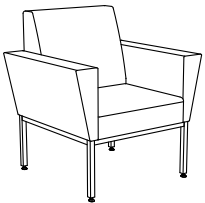
2 seats regular profile armchair

VU3R	A	COM B	C	D	E	LEATHER
	3260	3380	3500	3620	3740	5660



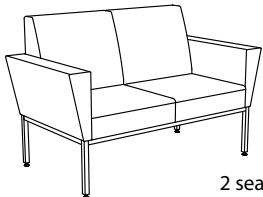
3 seats regular profile armchair

VU1S	A	COM B	C	D	E	LEATHER
	1580	1640	1700	1760	1820	2780



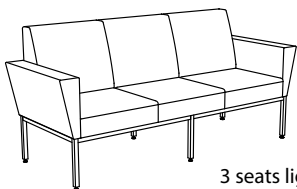
1 seat light profile armchair

VU2S	A	COM B	C	D	E	LEATHER
	2350	2440	2530	2620	2710	4150



2 seats light profile armchair

VU3S	A	COM B	C	D	E	LEATHER
	3110	3230	3350	3470	3590	5510



3 seats light profile armchair

LEGS (VU1R, VU2R, VU3R)

ST	Metal frame with tubular legs	Standard
LS3	Square legs	-

FRAME FINISHES

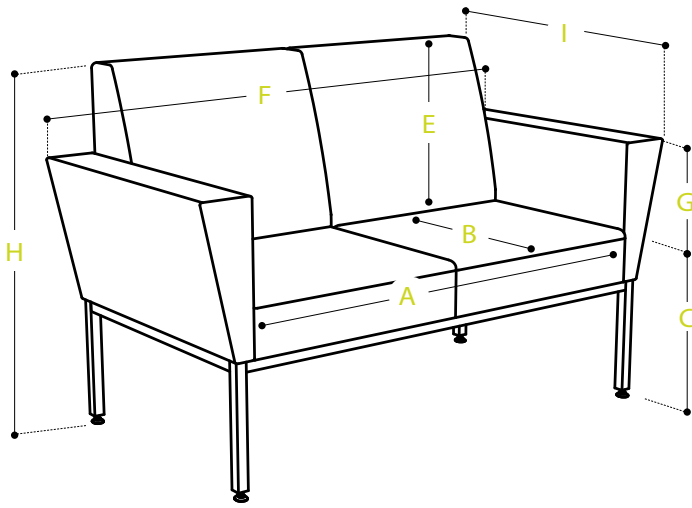
BL	Black	Standard	LB	Saphir	\$ 50/seat 4 seats min.
SX	Black sandex	-	DB	Minuit	\$ 50/seat 4 seats min.
CH	Charcoal	-	RD	Cardinal	\$ 50/seat 4 seats min.
SG	Metallic grey	-	DR	Bordeaux	\$ 50/seat 4 seats min.
WH	White	-	GR	Sauge	\$ 50/seat 4 seats min.
WX	White sandex	-	GP	Sapin	\$ 50/seat 4 seats min.
C	Polished chrome (VU1R,VU2R,VU1S,VU2S)	\$ 380	OG	Terracotta	\$ 50/seat 4 seats min.
C	Polished chrome (VU3R,VU3S)	\$ 540	YC	Canari	\$ 50/seat 4 seats min.
PA	Polished chrome paint	\$ 50/seat 4 seats min.			

ACCESSORIES

53	Left side writing tablet made of ¾" birch plywood with high pressure laminate top and clear varnish edge.	320
54	Right side writing tablet made of ¾" birch plywood with high pressure laminate top and clear varnish edge.	320
BLL	Black laminate tablet	-
MAL	Maple laminate table	-
CC120N	Metallic grey connectivity module (regular profile)	650
FAS	Ground fasteners (for 4)	30
GSS	Ganging elements (for 2)	20

UPHOLSTERY

AD	Seat and backrest upholstered with different colors	70
----	---	----



Measures	A	B*	C	E	F	G	H	I	Weight	Volume	COM
VU1R	22	19	18	17	31 ^{1/4}	7 ^{1/2}	34 ^{1/2}	27	60	21	4.5
	56	48	46	43	80	19	88	69	27.2	0.59	4.1
VU2R	44	19	18	17	53 ^{1/4}	7 ^{1/2}	34 ^{1/2}	27	104	36	7.0
	112	48	46	43	135	19	88	69	47.2	1.01	6.5
VU3R	66	19	18	17	75 ^{1/2}	7 ^{1/2}	34 ^{1/2}	27	148	50	9.0
	168	48	46	43	192	19	88	69	67.1	1.41	8.2
VU1S	22	19	18	17	31 ^{1/4}	8 ^{1/2}	34 ^{1/2}	27	53	21	3.5
	56	48	46	43	80	22	88	69	24	0.59	3
VU2S	44	19	18	17	53 ^{1/4}	8 ^{1/2}	34 ^{1/2}	27	91	36	5.5
	112	48	46	43	135	22	88	69	42.2	1.01	5
VU3S	66	19	18	17	75 ^{1/2}	8 ^{1/2}	34 ^{1/2}	27	129	45	7.5
	168	48	46	43	192	22	88	69	58.5	1.27	7

Imperial system (inches - pounds - cubic feet - yards)

Metric system (centimeters - kilograms- cubic meters- meters)

Tables

Collection of 3 lounge and waiting room models. Square tubular frame and laminate tops available in many finishes.



Collection



TM242418 - C2418



TM262618 - C2618



TM203616 - C3616

TM242418-C2418

520

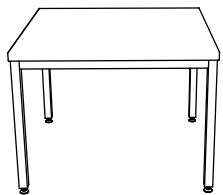


Table 24" x 24" x 18" with 1"
Square tube legs

TM262618-C2618

580

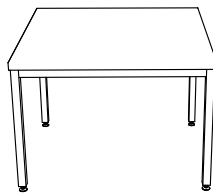


Table 26" x 26" x 18" with 1"
Square tube legs

TM203619-C3616

630

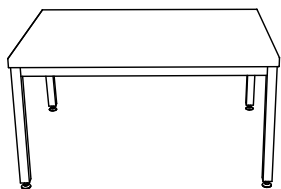


Table 36" x 20" x 16" with 1"
Square tube legs

FRAME FINISHES

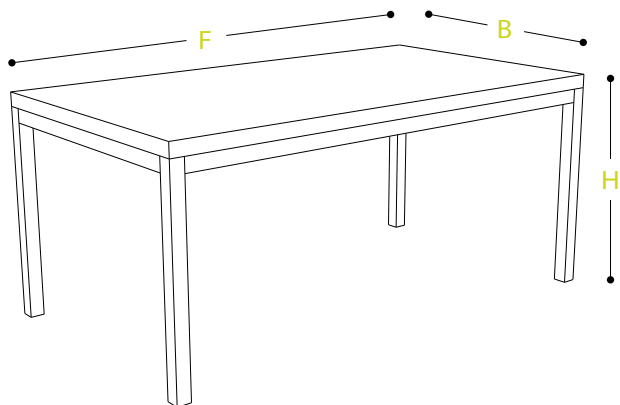
BL	Black	Standard	LB	Saphir	\$ 50 4 tables min.
SX	Black sandex	-	DB	Minuit	\$ 50 4 tables min.
CH	Charcoal	-	RD	Cardinal	\$ 50 4 tables min.
SG	Metallic grey	-	DR	Bordeaux	\$ 50 4 tables min.
WH	White	-	GR	Sauge	\$ 50 4 tables min.
WX	White sandex	-	GP	Sapin	\$ 50 4 tables min.
C	Polished chrome	\$ 105	OG	Terracotta	\$ 50 4 tables min.
PA	Polished chrome paint	\$ 50 4 tables min.	YC	Canari	\$ 50 4 tables min.

TABLETOP SURFACES

Tabletop 1" Thermally fused laminate panels top and PVC edge

631	Black	Standard
123	Charcoal	-
555	White	-
H58	Storm	-
H59	Twilight	-
K02	Sesame	-
H72	Ginger	-
H57	Haze	-
H56	Chill	-
204	Bourbon Cherry	-
205	Tobacco Cherry	-
992	Hardrock Maple	-

Other finishes available upon request



Measures	A	B	C	E	F	G	H	I	Weight	Volume
TM242418 - C2418		24			24		18		25	8
TM262618 - C2618		60			60		46		11.3	0.7
TM203616 - C3616		20			26		16		30	9
		51			66		40		13.6	0.85

Imperial system (inches - pounds - cubic feet - yards)

Metric system (centimeters - kilograms- cubic meters- meters)



ART DESIGN INTERNATIONAL

adi-artdesign.com

ART DESIGN INTERNATIONAL INC.

3450 1st Street

Saint-Hubert, Quebec J3Y 8Y5

T 450.926.1004 • 800.663.6794



dessana

Comfort and well-being.
dessana.ca