



GREENE
Welding & Hdw., Inc.
41774 Main St.
Box 181 • East Lynn, IL 60932
217-375-4244 • Fax: 217-375-4245

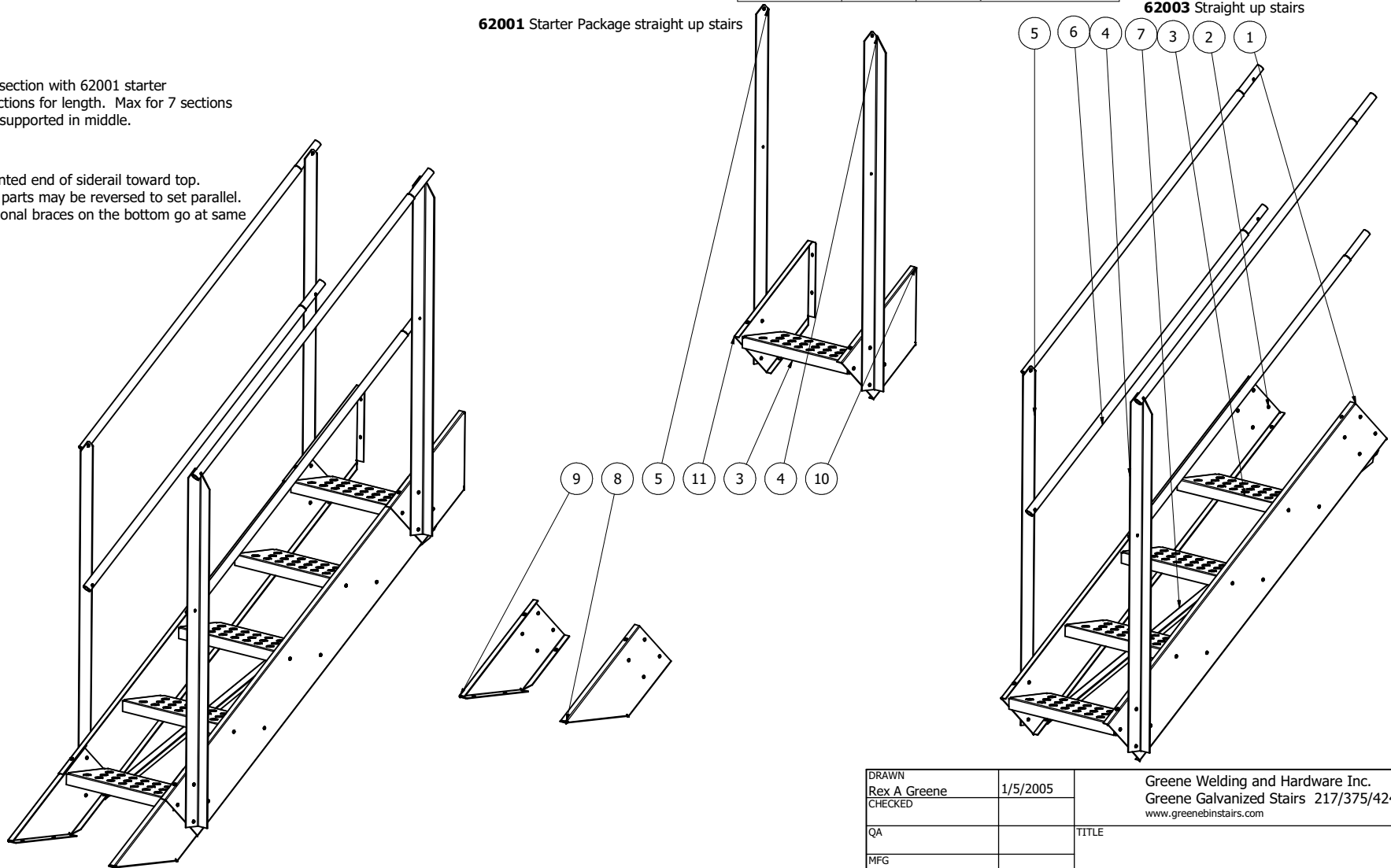
Parts List		
ITEM	QTY	PART NUMBER
1	1	62010 Siderail right
2	1	62011 Siderail left
3	5	60163 Roof Stair Step
4	2	61018 Right Post
5	2	61019 Left Post
6	4	60181 3 Roof Handrail
7	1	62012 Diagonal Brace
8	1	62008 bottom siderail right
9	1	62009 bottom siderail left
10	1	62006 Top Siderail right
11	1	62007 Top Siderail left

62001 Starter Package straight up stairs

62003 Straight up stairs

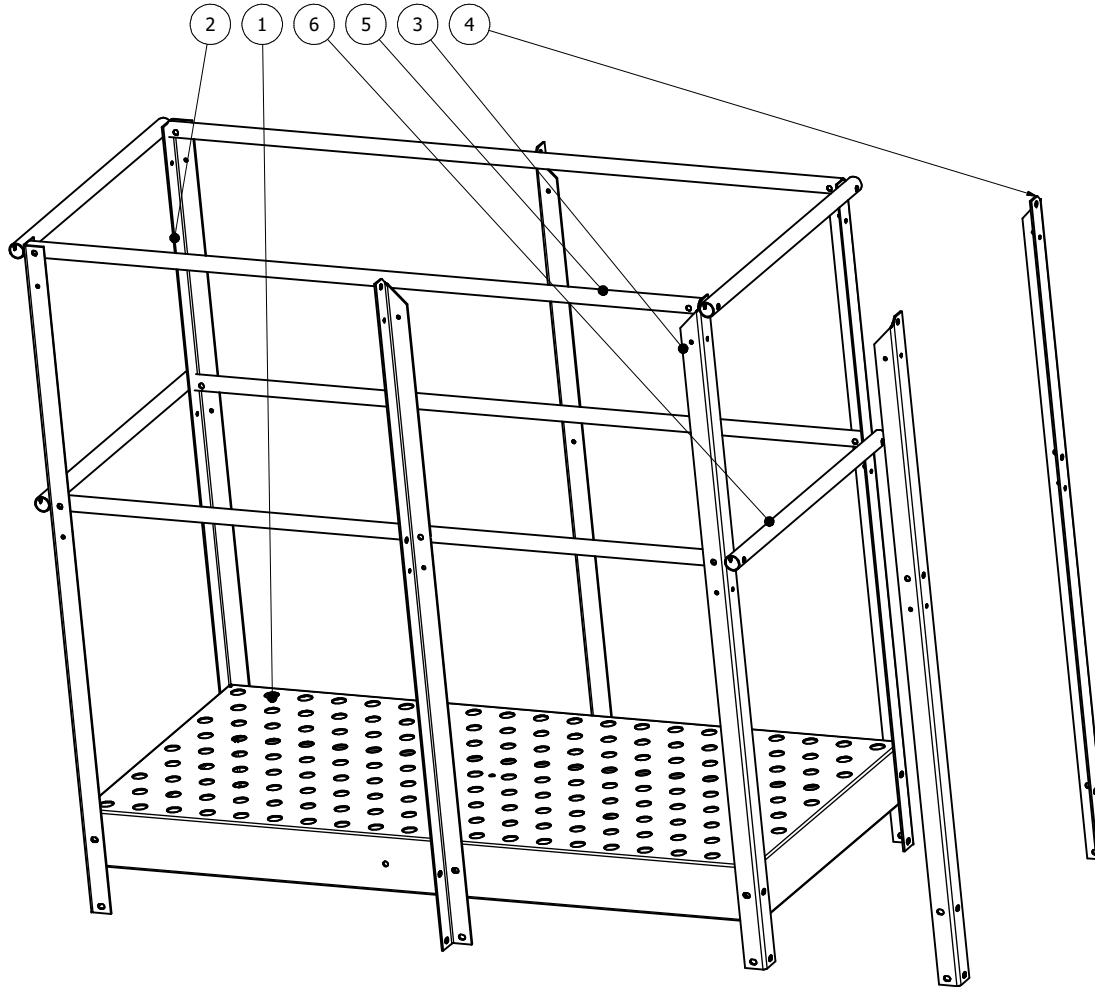
62003 section with 62001 starter
add sections for length. Max for 7 sections
unless supported in middle.

Put painted end of siderail toward top.
Starter parts may be reversed to set parallel.
All diagonal braces on the bottom go at same
angle.



DRAWN Rex A Greene	1/5/2005	Greene Welding and Hardware Inc. Greene Galvanized Stairs 217/375/4244 www.greenebinstairs.com		
CHECKED		TITLE		
QA		SIZE		
MFG		C	DWG NO	REV
APPROVED		Straight Stairs		
SCALE	NA	SHEET 1 OF 1		

63500 Straight up Stair Platform



This platform is for straight up stairs. It can be used for an end platform, switch back platform, corner platform, or a landing platform. Handrails can be omitted to access the stairs. No mounting bracket provided. A pair of 60036 A frame wall brackets can be used for mounts.

Parts List		
ITEM	QTY	PART NUMBER
1	1	4300 Platform skin
2	2	4320 Plat Post corner
3	3	4321 Plat Post right
4	3	4322 Plat Post left
5	4	HR 52 Round Handrail
6	4	HR 24 Round Handrail

DRAWN Rex A Greene		1/7/2005	Greene Welding and Hardware Inc. Greene Galvanized Stairs 217/375/4244 www.greenebinsstairs.com	
CHECKED			TITLE	
QA			SIZE	
MFG			C	
APPROVED			DWG NO	
			65000 Straight stair Platform	
			REV	
			SCALE NA	
			SHEET 1 OF 1	