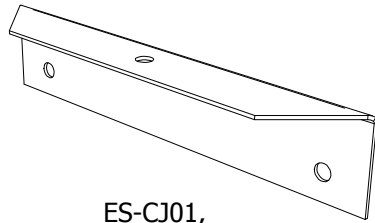
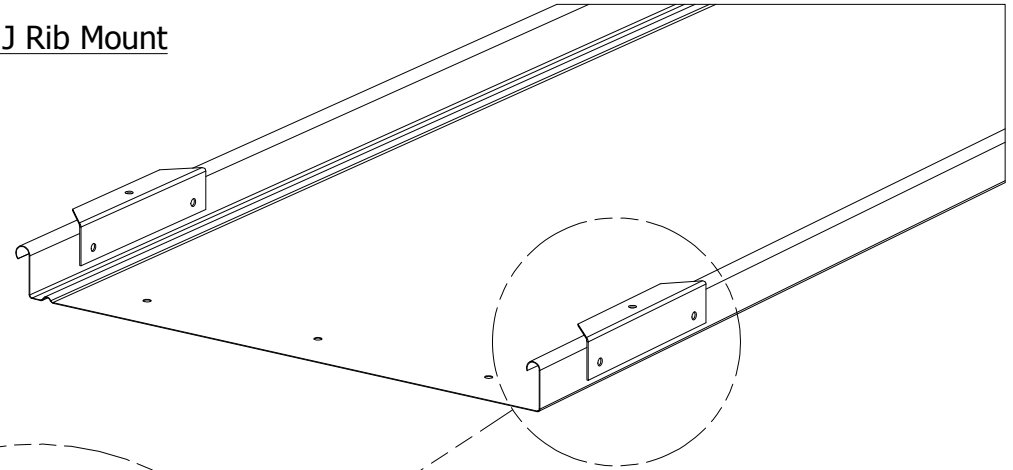


The ES-CJ01 J Rib Mount is used to create a flat mounting surface on a J rib style roof with rounded roof ribs.

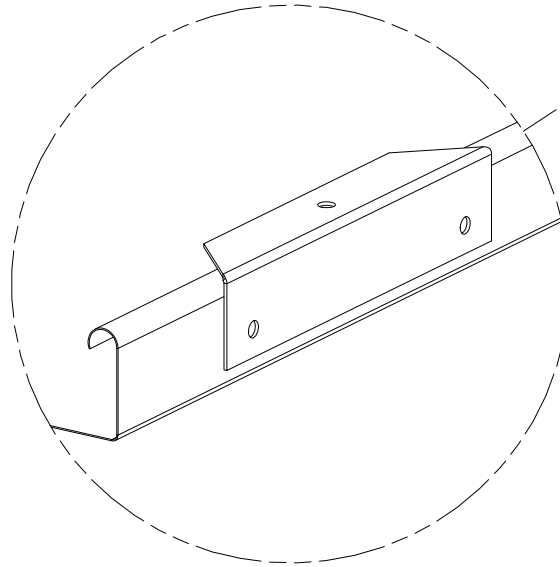
The J Rib Mount attaches by drilling and bolting the 2 holes of the mount into the side of the J rib.

The mounting foot of the equipment (roof stairs, walkaround, etc.) is then attached to the hole on the flat surface parallel to the roof.

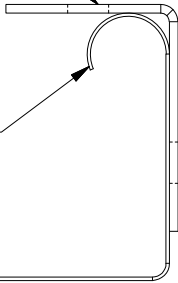
ES-CJ01, J Rib Mount



ES-CJ01,
J Rib Mount



ES-CJ01



J Rib Roof Panel

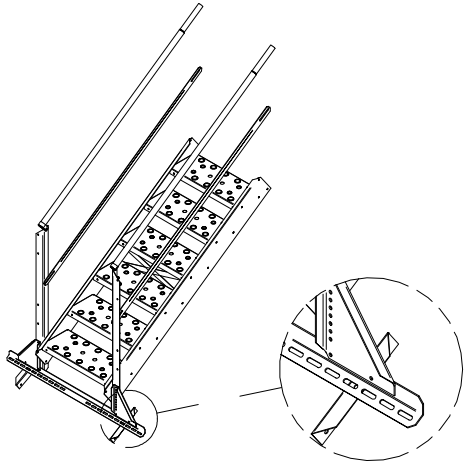
End View

ES-CJ01 Required	
Product	Qty
Walkarounds	2 per section
Peak Handrails	2 per section
Roof Stairs	2 per section
Roof Ladder Handrail	2 per section plus 2 added for top post
Top Post Package	2 per unit
ES Manhole Guardrail	2 per unit
Manhole Guardrail	3 per unit

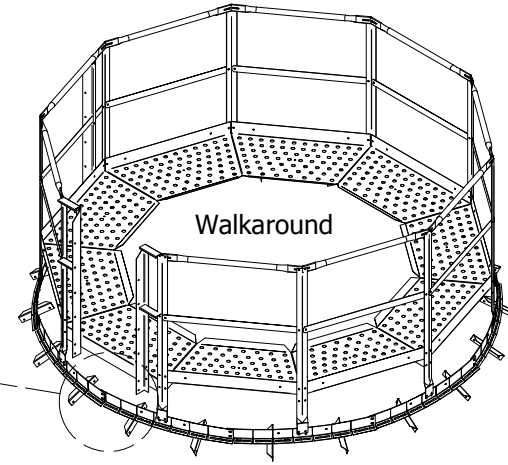
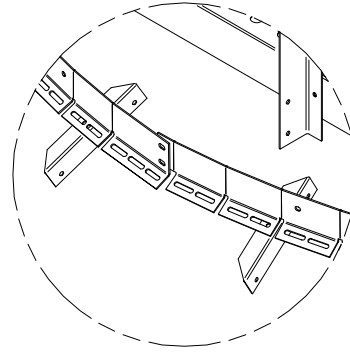


DRAWN Bill Huff	7/22/2016	Greene Galvanized Stairs	
CHECKED		TITLE	
QA		ES-CJ01 J Rib Mount	
MFG		SIZE A	DWG NO IN-ESCJ01
APPROVED		SCALE	REV 1
		SHEET 1 OF 2	

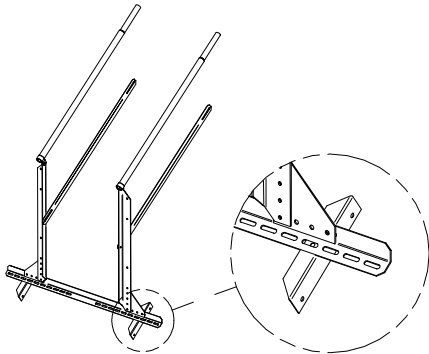
ES-CJ01, J Rib Mount



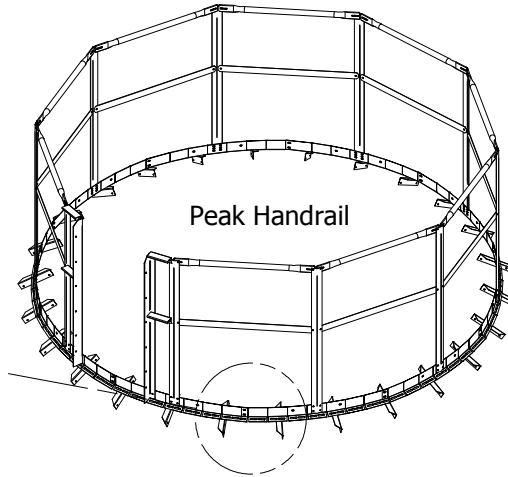
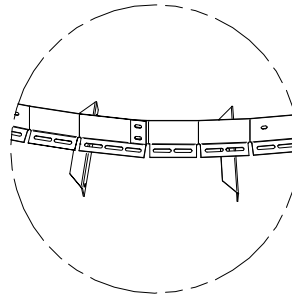
Roof Stair



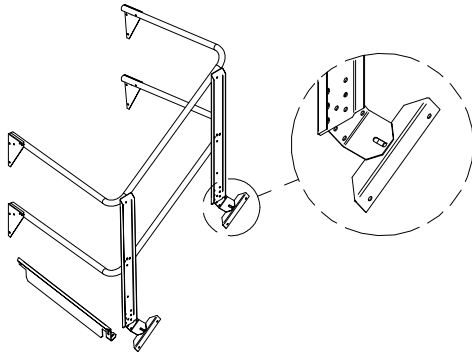
Walkaround



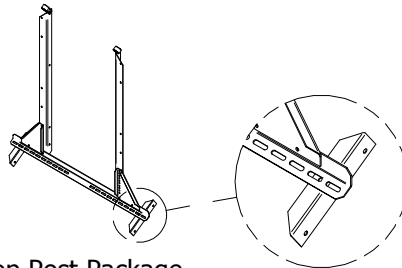
Roof Ladder Handrail



Peak Handrail



Manhole Guardrail



Top Post Package



DRAWN Bill Huff	7/22/2016	Greene Galvanized Stairs	
CHECKED		TITLE	
QA		ES-CJ01 J Rib Mount	
MFG		SIZE A	DWG NO IN-ESCJ01
APPROVED		SCALE	REV 1
		SHEET 2 OF 2	