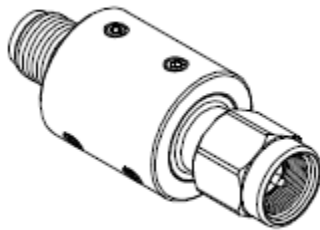
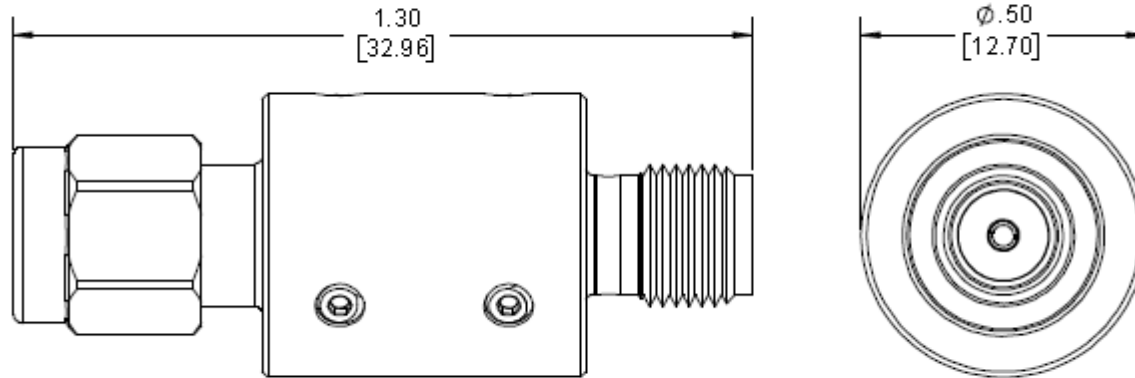


**SPECIFICATIONS:**

Impedance: 50 Ohm  
 Frequency: .01-18 GHz  
 VSWR: 1.35:1 Max @ 18 GHz  
 Insertion Loss: 0.75 dB Max @ 18 GHz  
 Voltage Rating: 200 Volts (inner/outer)  
 Operating temp. : -65°C - +125°C

Part	Material	Plating
SMA Connectors	Stainless Steel	Passivated
Center Contacts	Beryllium Copper	Gold
Housing	High Temp Plastic	---

**RoHS Compliant**



Dimensions are for reference only, and are subject to change without notice.



**Premier RF**  
 17 Roslyn CT  
 Patchogue, NY 11772  
 PH: 631-447-3804  
 sales@premierf.com  
 www.premierf.com

8/23/2012
APPROVED
A. Ianacci

<b>PART NUMBER</b>	<b>PRF-DCB1MFIO18</b>
<b>DESCRIPTION</b>	<b>SMA M/F DC BLOCK .01- 18 GHz, INNER/OUTER</b>