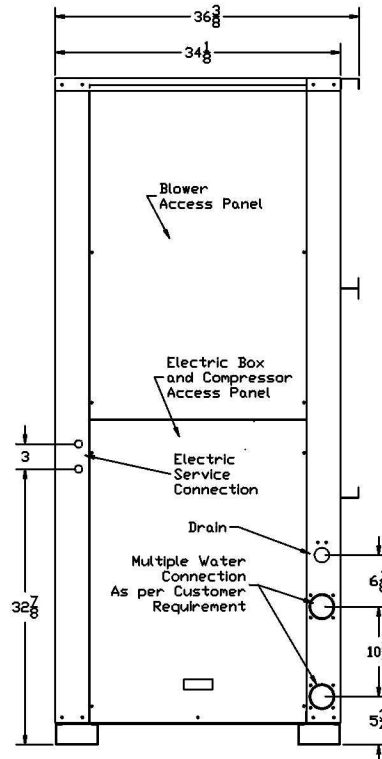
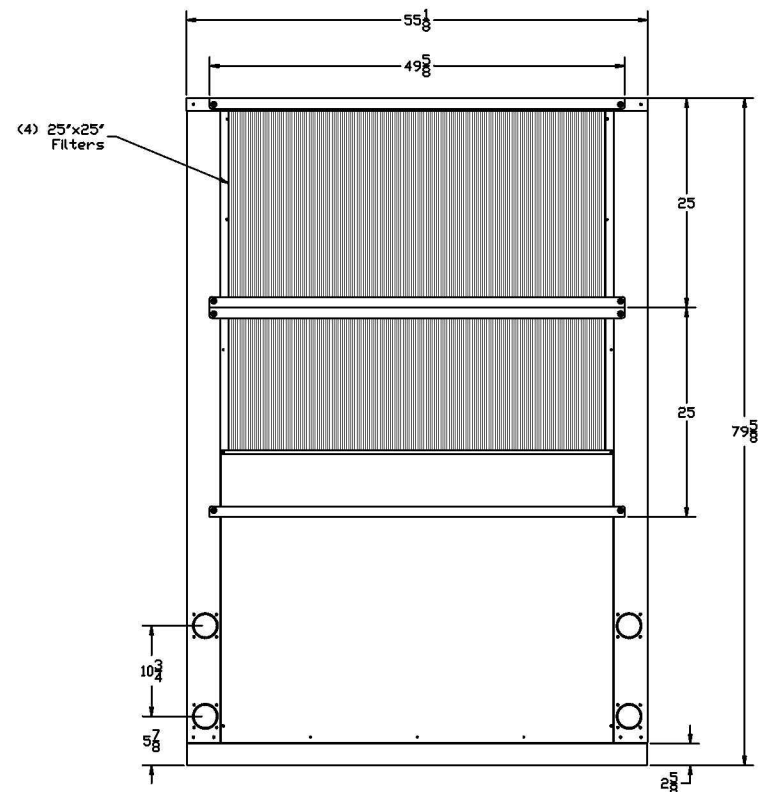


Elevation 'A'



Elevation 'B'



Elevation 'C'

Approved for Fabrication; _____

12TV Right Hand Unit
General Arrangement

Cold Flow/Dual Air Inc.
1050 NW 21st Street
Miami Florida 33127
Ph: (305) 545-6666
Fax: (305) 325-1966

REVI:	
DATE:	06-11-15
SCALE:	None
BY:	Allen Diehl

061215