

PERFORMANCE DATA

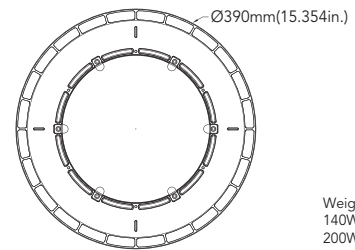
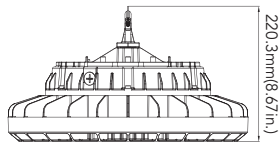
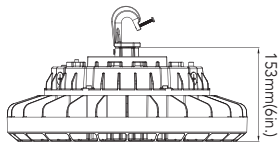
SYSTEM WATTS	LENS	VOLTAGE	4000K(70CRI)		5000K(70CRI)	
			LUMENS	LPW	LUMENS	LPW
140W	90 Degree Aluminum Reflector	120-277VAC	17500lm	125 lm/W	17500lm	125 lm/W
140W	90 Degree Lens	120-277VAC	18800lm	134 lm/W	18900lm	135 lm/W
140W	120 Degree Lens	120-277VAC	19000lm	136 lm/W	19000lm	136 lm/W
140W	PC Reflector	120-277VAC	17000lm	121 lm/W	17000lm	121 lm/W
200W	90 Degree Aluminum Reflector	120-277VAC	23000lm	115 lm/W	24000lm	120 lm/W
200W	90 Degree Lens	120-277VAC	26000lm	130 lm/W	26000lm	130 lm/W
200W	120 Degree Lens	120-277VAC	26000lm	130 lm/W	26000lm	130 lm/W
200W	PC Reflector	120-277VAC	23500lm	117 lm/W	23500lm	117 lm/W

ELECTRICAL DATA

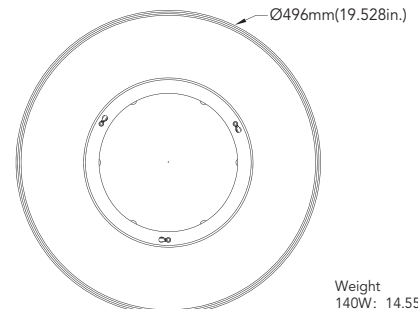
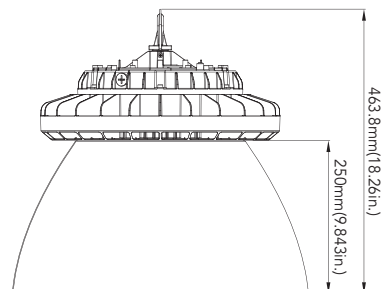
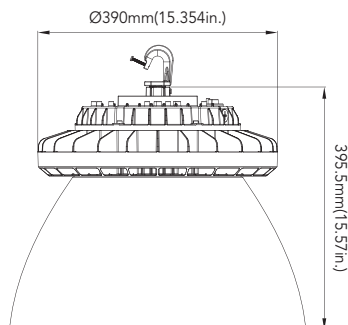
Number Of Drivers	Driver Current (Amps)	Nominal Power (W)	INPUT VOLTAGE (V)	CURRENT (Amps)
2	3500	140	120	1.17
		140	208	0.67
		140	240	0.58
		140	277	0.51
		140	347	0.40
		140	480	0.29
2	5200	200	120	1.67
		200	208	0.96
		200	240	0.83
		200	277	0.72
		210	347	0.61
		210	480	0.44

DIMENSION

unit: inch/mm



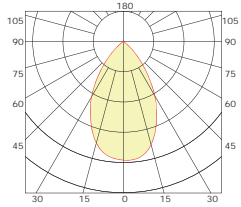
Weight
140W: 12.56lb
200W: 13.58lb



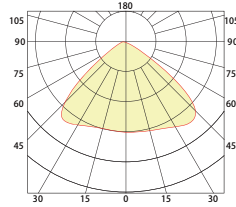
Weight
140W: 14.55lb
200W: 15.57lb

PHOTOMETRICS

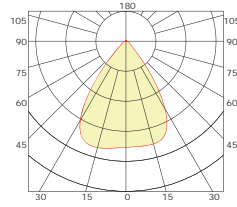
90 Degree Aluminum Reflector
Luminous Intensity Distribution Curve



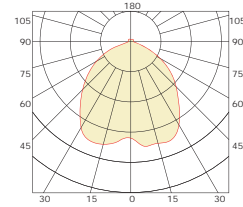
120 Degree lens
Luminous Intensity Distribution Curve



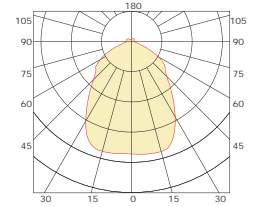
90 Degree lens
Luminous Intensity Distribution Curve



Conical Bottom Lens
Luminous Intensity Distribution Curve



Prismatic Drop Lens / Smooth flat lens
Luminous Intensity Distribution Curve



ORDERING GUIDE Example:XXXXXXXXXXXXXXXXXXXX

Fixture Type	Wattage	Voltage	CCT	Beam Angle	Finish	Sensor (Option)	Internal Code
<input type="text"/>	<input type="text"/>	<input type="text"/>	<input type="text"/>	<input type="text"/>	<input type="text"/>	<input type="text"/>	<input type="text"/>
BB01 High Bay	140 140W 200 200W	27V 120-277V 48V 347/480V 347-480V	40K 4000K 50K 5000K	MAL 90 Degree Aluminum Reflector WAL 120 Degree Aluminum Reflector ML 90 Degree Lens WL 120 Degree Lens	D Dark Bronze B Black W White	M4 347-480V motion sensor M With Sensor Blank Without Sensor	