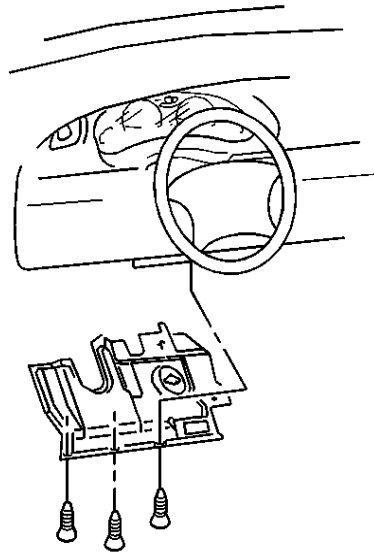


# Instrument Panel Insulator Panel Replacement - Left Side

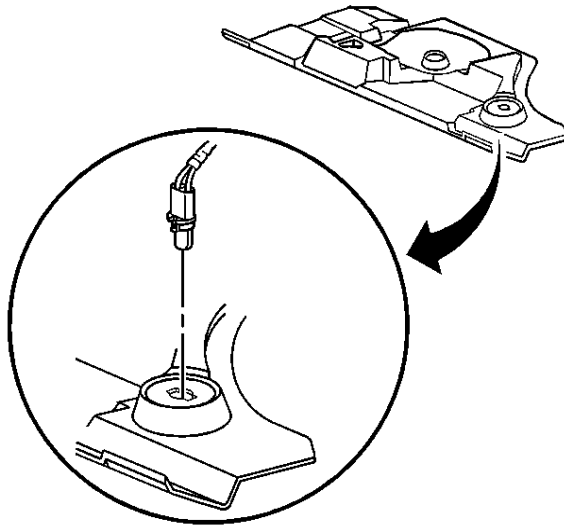
## Tools Required

[J 38778](#) Door Trim Pad Clip Remover

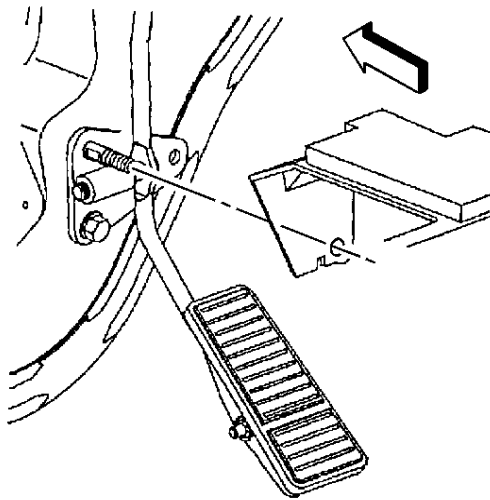
## Removal Procedure



1. Use [J 38778](#) in order remove the left instrument panel (I/P) insulator retainers from the filler panel on the steering column opening.



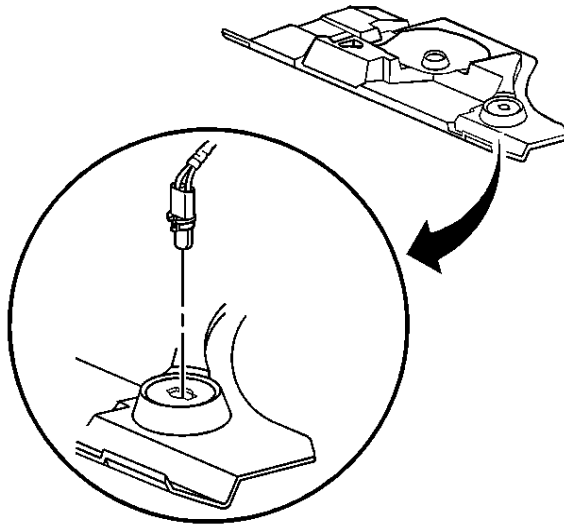
2. Disconnect the courtesy lamp from the I/P insulator by turning the lamp  $\frac{1}{4}$  turn counterclockwise.



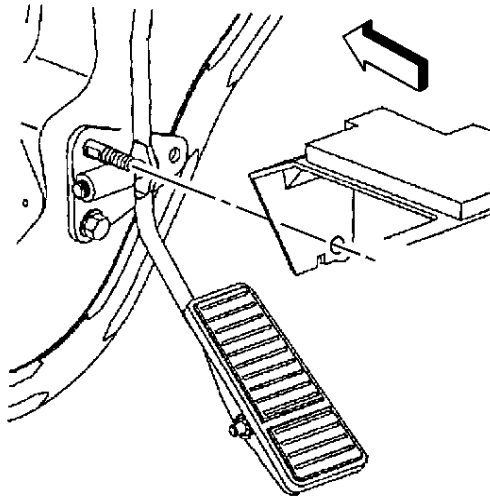
3. Remove the left I/P insulator from the stud at the accelerator pedal.
4. Remove the left I/P insulator.

## [Installation Procedure](#)

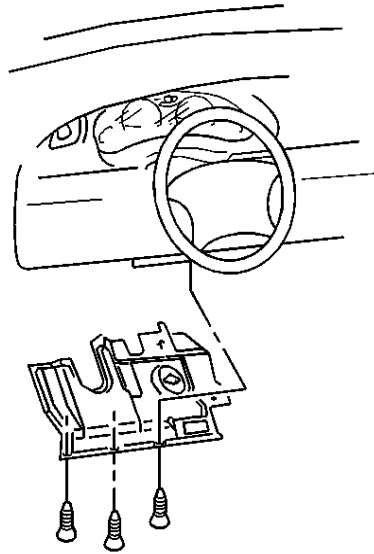
1. Position the left I/P insulator to the I/P.



2. Install the courtesy lamp to the I/P insulator then rotate 1/4 turn clockwise to secure.



3. Install the left I/P insulator to the stud at the accelerator pedal.



4. Install the left I/P insulator retainers to the filler panel on the steering column opening.

www.fixmygauges.com