

GARDEN BAY WINDOW

*Price List*

2017



**RENAISSANCE**  
CONSERVATORIES

Effective: January, 2017. All prices subject to change without notice.

## PRICING: 45° & 30° Garden Bay Window

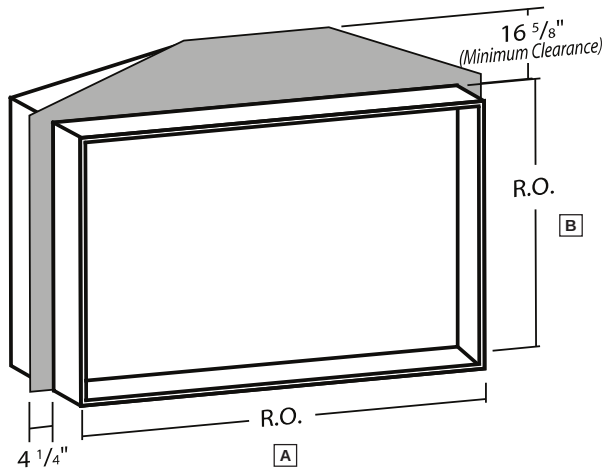
3	2	2	4	5	6	7	8	9	10	10	11	12	13	14	15
Model Number	Rectangular Sleeve Maximum R.O. (Width x Height)	Cathedral Sleeve Maximum R.O. (Width x Height)	Custom Series Direct-Set Base Price	Cathedral Mounting Sleeve	Mounting Sleeve Extension (Max. 13")	Revival Series Feature Package <sup>7</sup>	Two Operating Custom Series Sash <sup>8</sup>	One Fixed Custom Series Center Sash <sup>9</sup>	Copper or Lead-Coated Copper Roof Caps & Outside Metals	Custom Color Aluminum Roof Caps & Outside Metals	Simulated Colonial or Prairie Divided Lites	2 Adjust. Wood Plant Shelves	Retracting Rolling Insect Screens <sup>13</sup>	Cushion Band Window Seat	Factory Prime Paint
GB 6040	72" x 48"	72" x 58"	\$6,880	\$362	\$393	\$1,947	\$783	\$346	\$212	\$420	\$467	\$207	\$879	\$456	\$326
GB 6050	72" x 60"	72" x 70"	7,457	362	421	2,119	864	383	212	420	624	207	879	456	326
GB 7040	84" x 48"	84" x 58"	7,332	362	419	2,194	783	372	237	420	543	241	879	533	326
GB 7050	84" x 60"	84" x 70"	7,573	362	465	2,433	864	409	237	420	720	241	879	533	326
GB 8040	96" x 48"	96" x 58"	7,345	362	460	2,484	783	421	253	420	618	271	879	609	362
GB 8050	96" x 60"	96" x 70"	7,586	362	512	2,660	864	460	253	420	814	271	879	609	362
GB 9040	108" x 48"	108" x 58"	7,852	362	504	3,489	783	700	300	420	693	330	879	685	435
GB 9050	108" x 60"	108" x 70"	8,433	362	556	3,779	864	775	300	420	875	330	879	685	435
GB 10040	120" x 48"	120" x 58"	8,275	362	545	3,916	783	860	336	420	844	336	879	761	435
GB 10050	120" x 60"	120" x 70"	9,399	362	605	4,210	864	939	336	420	1,085	336	879	761	435

### Standard Features

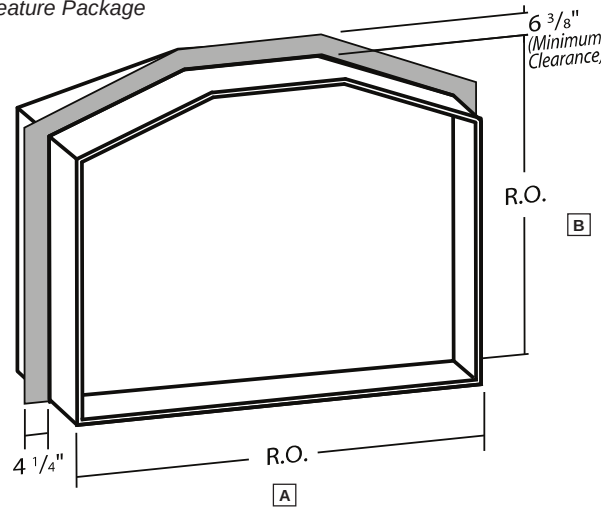
- Custom Sized to Fit Your Opening
- Factory Assembled
- Cedro (Spanish Cedar) Framing
- High Performance Low-E Insulating Glass
- Bronze or White Aluminum Roof Caps & Outside Metals
- Decorative Corbel Supports
- Sleeve Depth = 1 1/2"

### Footnotes:

- <sup>1</sup> Front & Roof Divided into Two (2) Bays
- <sup>2</sup> Included in Revival Series Feature Package:  
2 Operating Casement Sash, 1 Fixed Center Sash, Solid Bronze Sash Hardware, Beaded Window Molding, Built-In Insect Screen/Shade Valences.
- <sup>3</sup> Available Only In Custom Series
- <sup>4</sup> Available Only With Revival Series Feature Package

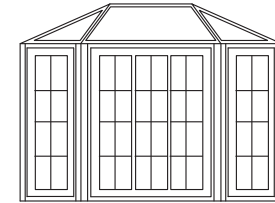


RECTANGULAR MOUNTING SLEEVE

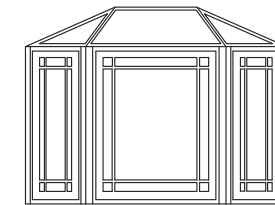


CATHEDRAL MOUNTING SLEEVE

## GRID & ARCH OPTIONS SECTION



SIMULATED COLONIAL DIVIDED LITES (Inside & Outside)



SIMULATED PRAIRIE DIVIDED LITES (Inside & Outside)

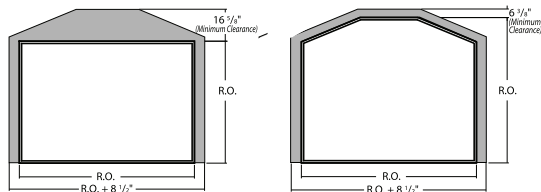
# GARDEN BAY WINDOW ORDER FORM

For Renaissance Use \_\_\_\_\_  
 \_\_\_\_\_

## ORDERING IS AS EASY AS 1 2 3

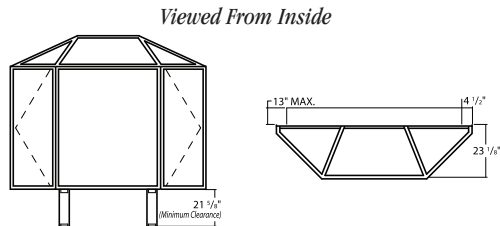
### STEP 1

Circle the preferred **Mounting Sleeve** (below) and check the appropriate box **1** (right).



RECTANGULAR MOUNTING SLEEVE (STANDARD)

CATHEDRAL MOUNTING SLEEVE (OPTIONAL)



Viewed From Outside

### STEP 2

Measure your old window or measure your new window opening and compare your dimensions with the **Maximum Rough Opening** dimensions on the **2** Pricing Chart. Select the **3** Model that is larger than your window opening to determine your **4** Base Price. We will custom build your Garden Bay Window to fit your exact opening dimension.

### 18 FINISHES SECTION

Framing:  Cedro  Honduras Mahogany\*  Western Red Cedar\*

\* Call for price quotation.

#### Roof Caps & Outside Metals:

- Standard Bronze Aluminum  Standard White Aluminum  
 Optional Copper  Optional Lead-Coated Copper  
 Optional Custom Color Aluminum \_\_\_\_\_

Standard Custom Series Sash Hardware:  Bronze  White  Beige

#### Optional Revival Series Solid Bronze Sash Hardware:

- White Bronze Light  Silicone Bronze Dark  Silicone Bronze Light

#### Optional Revival Series Retracting Insect Screen Frame Color:

- Classic White  Rideau Brown  Slivered Almond

#### Shelf Hardware:

- White  Bronze  Beige

\* Included in Revival Series Feature Package: 2 Operating Casement Sash, 1 Fixed Center Sash, Solid Bronze Sash Hardware, Beaded Window Moldings, Built-In Insect Screen/Shade Valences.

Garden Bay Window Help Line: 1-800-882-4657 (Mon. - Fri. 9-5 Eastern Time)

<i>The Buyer</i>			<i>Ship To</i>		
Company _____	Company _____		Company _____		Company _____
Name _____	Name _____		Name _____		Name _____
Address _____	Address _____		Address _____		Address _____
City _____ State _____ ZIP _____	City _____ State _____ ZIP _____		City _____ State _____ ZIP _____		City _____ State _____ ZIP _____
Phone _____ - _____ - _____	Fax _____ - _____ - _____	D. Phone _____ - _____ - _____		E. Phone _____ - _____ - _____	

Will this Garden Window be installed at an elevation exceeding 5,000 feet above sea level?  Yes  No

- 1** Mounting Sleeve Style:  Rectangular  Cathedral
- 2** Size: (See Details on Reverse Page)
- A** Rough Opening Width \_\_\_\_\_ **B** Rough Opening Height \_\_\_\_\_
- C** Total Wall Thickness \_\_\_\_\_
- D** Available Height Above Rough Opening \_\_\_\_\_ **E** Below Rough Opening \_\_\_\_\_
- 3** Model: \_\_\_\_\_ **4** Custom Series Direct Set Base Price \$ \_\_\_\_\_
- 5** Add for  Cathedral Mounting Sleeve \$ \_\_\_\_\_
- 6** Add for  Mounting Sleeve Extension Total Wall Thickness \_\_\_\_\_ \$ \_\_\_\_\_
- 7** Add for  Revival Series Feature Package\* \$ \_\_\_\_\_
- 8** Add for  2 Operating Custom Series Sash (Standard with Revival Series Feature Package) \$ \_\_\_\_\_
- 9** Add for  1 Fixed Custom Series Center Sash (Standard with Revival Series Feature Package) \$ \_\_\_\_\_
- 10** Add for  Copper Roof Caps & Outside Metals  Lead-Coated Copper Roof Caps & Outside Metals  
 Custom Color Aluminum Roof Caps & Outside Metals \$ \_\_\_\_\_
- 11** Add for  Simulated Colonial Divided Lites  Simulated Prairie Divided Lites \$ \_\_\_\_\_
- 12** Add for  2 Adjustable Wood Plant Shelves \$ \_\_\_\_\_
- 13** Add for  Retracting Rolling Insect Screens (Available Only with Revival Series) \$ \_\_\_\_\_
- 14** Add for  Cushion Band Window Seat \$ \_\_\_\_\_
- 15** Add for  Factory Prime Paint  Inside Only  Outside Only  Both Inside and Outside \$ \_\_\_\_\_
- 16** Add for  Honduras Mahogany  Western Red Cedar (Call for price quotation) \$ \_\_\_\_\_
- 17** Add for  \_\_\_\_\_ \$ \_\_\_\_\_

Sub-Total \$ \_\_\_\_\_

Sub-Total \$ \_\_\_\_\_

**Terms:** 50% Deposit, Balance due prior to shipment. Prices are F.O.B. Leola, Pennsylvania. Shipping will be freight collect. Prices subject to change without notice. Your Garden Bay Window will be made to-order and will take approximately 8-12 weeks.

PA and MD Residents add 6%, NJ Residents add 7% Sales Tax

Tax No. on File \$ \_\_\_\_\_

Total Order \$ \_\_\_\_\_

50% Deposit (\$ \_\_\_\_\_)

Balance \$ \_\_\_\_\_

Signature \_\_\_\_\_ Date \_\_\_\_\_

Method of Payment:  Check/Money Order

<input type="text"/>	<input type="text"/>	<input type="text"/>	<input type="text"/>	<input type="text"/>	<input type="text"/>	<input type="text"/>	<input type="text"/>	<input type="text"/>	<input type="text"/>
----------------------	----------------------	----------------------	----------------------	----------------------	----------------------	----------------------	----------------------	----------------------	----------------------

Credit Card Account Number

Expiration Date

Mail To: **RENAISSANCE CONSERVATORIES**

132 Ashmore Drive, Leola, PA 17540

Fax To: 717-661-7727

Your Garden Bay Window will arrive assembled and crated, and may weigh several hundred pounds. You will need to provide the necessary manpower to remove it from the truck and transport it to your site.