


REV	DESCRIPTION	BY	DATE
A	INITIAL RELEASE	MEET	10/07/11

PAGE SUBTITLE

PAGE NUMBER


- NOTES _____ 2
- FRONT SIDE DEVICE LOCATIONS _____ 3
- BACK SIDE DEVICE LOCATIONS _____ 4
- INTERNAL DEVICE LOCATIONS _____ 5
- 120VAC, +15VDC & FRONT DOOR +5VDC _____ 6
- 120VAC CONTINUED & BACK DOOR +5VDC _____ 7
- DISPLAY ASSEMBLY DC WIRING _____ 8
- +15VDC _____ 9
- COMPUTER _____ 10
- RECEIVING AND DISTRIBUTION BOARDS _____ 11
- DISPLAY CONNECTIONS _____ 12
- AMP _____ 13

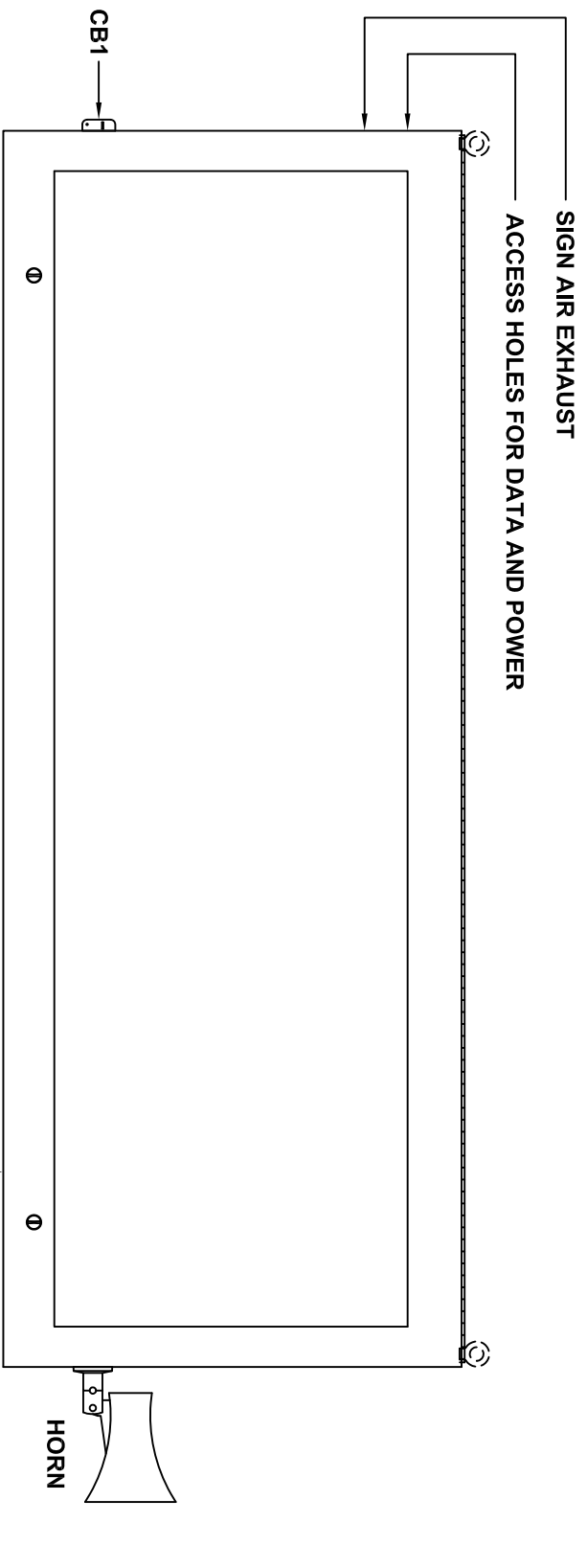
 Static Controls Corporation 30460 WIXOM ROAD WIXOM, MI 48393 FAX (248) 826-2412	Outside Design Appr.	Inside Design Appr.	Mechanical Design Appr.	Date 10/07/11	Title TABLE OF CONTENTS
	Size A	Scale NONE	Drawing Number 982-D-96X320-M01.DWG	Revision 1 of 13	Rev. A

NOTES:

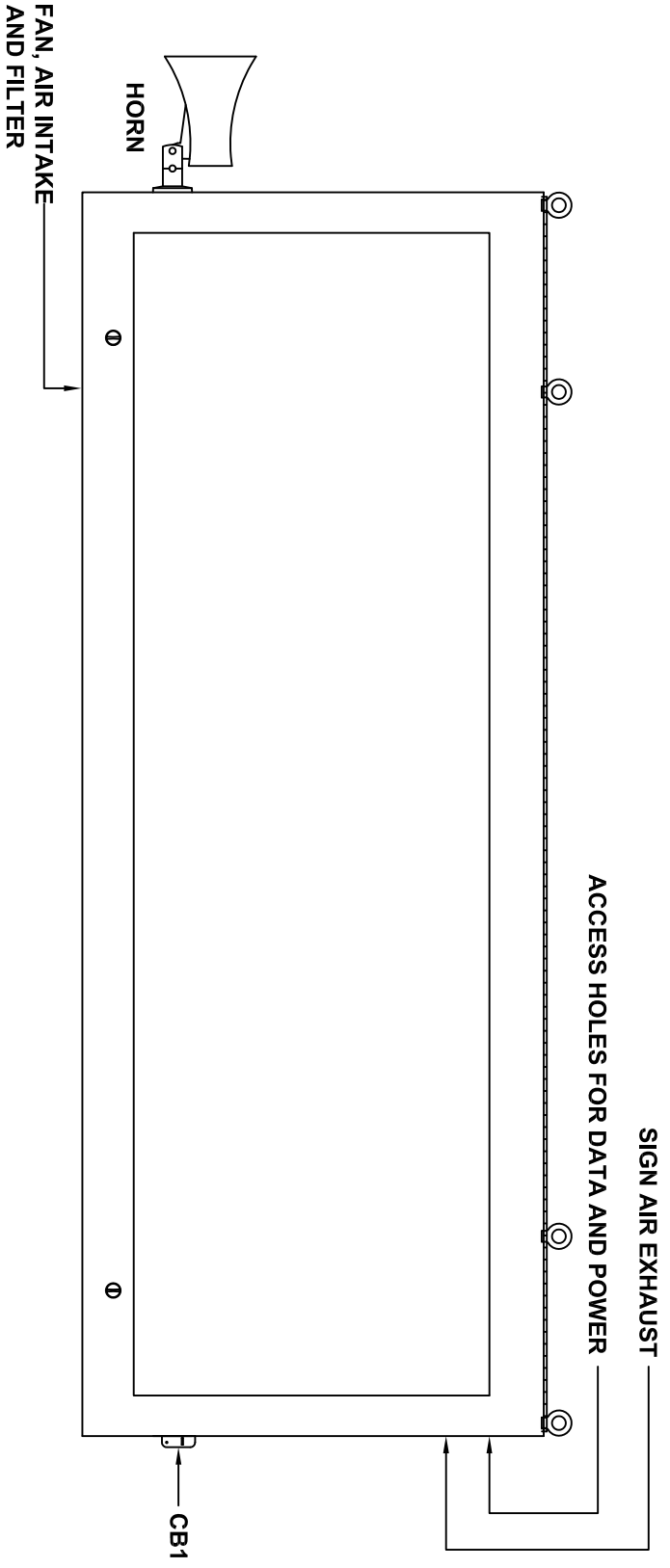
1. NUMERAL IN PARENTHESIS INDICATE SHEET NUMBER ON WHICH THE SIGNAL IS CONTINUED.
2. DIGITS PRECEDED BY A DOLLAR SIGN (\$XX) REPRESENT A HEXADECIMAL VALUE.
3. WHERE ROWS AND COLUMNS ARE REFERRED TO, ROWS ARE NUMBERED 1 TO x TOP TO BOTTOM AND COLUMNS ARE NUMBERED 1 TO x LEFT TO RIGHT.
4. THE FOLLOWING SYMBOL INDICATES CHASSIS GROUND. ↗


* REFER TO PAGE(S) ENTITLED 'FRONT SIDE, BACK SIDE, OR SUB-PLATED) DEVICE LOCATIONS' FOR SCC BUS DEVICE LOCATIONS. SCC BUS DEVICE 1 IS LABELED D1, SCC BUS DEVICE 2 IS LABELED D2, ETC. ...

 Static Controls Corporation 30460 WIXOM ROAD WIXOM, MI 48393 FAX (248) 826-2412	Outline Legends Conventions	Drawn Design Appr.	MET RLS 10/7/11	Title NOTES
	Size A Scale NONE	The 982-D-96X320-M02.DWG DRAWING NUMBER HS-982-D-96X320-M8	Sheet 2 of 13	

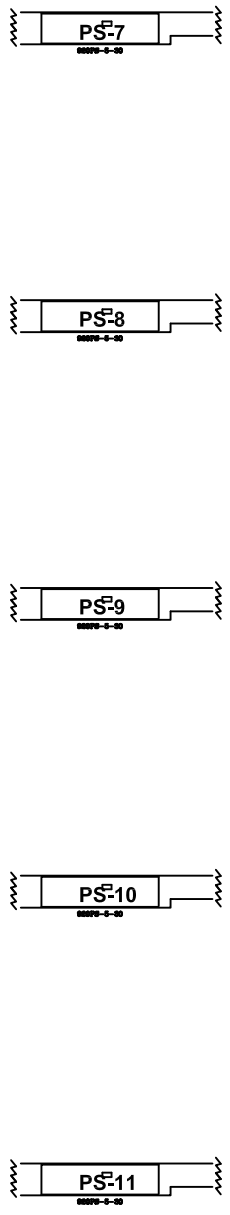


	Outside Telephones Communications	Design RLS Appr.	Date 10/07/11	Title FRONT SIDE DEVICE LOCATIONS
	Static Controls Corporation 30460 WIXOM ROAD WIXOM, MI 48393 FAX (248) 826-4412	Size A	Scale NONE	Drawing Number MS-982-D-96X320-M83.DWG



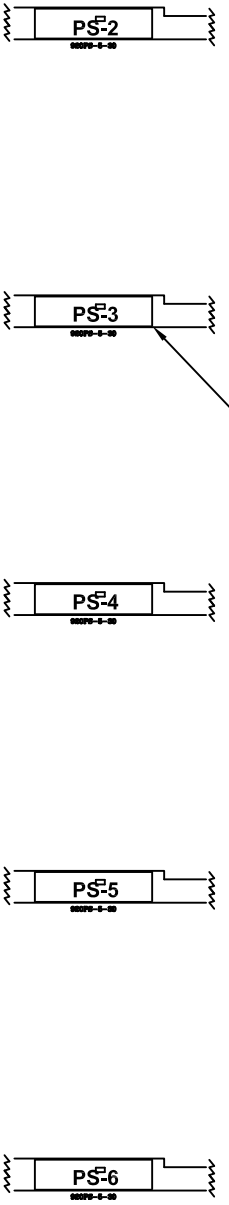
 Static Controls Corporation 30460 WIXOM ROAD WIXOM, MI 48393 FAX (248) 826-4412	Outside Design	10/07/11 This	BACK SIDE DEVICE LOCATIONS
	Inside Design RLS Size A Scale NONE	007/11 This	
DRAWING NUMBER 982-D-96X320-M84.DWG		Rev. A	

BACK SIDE

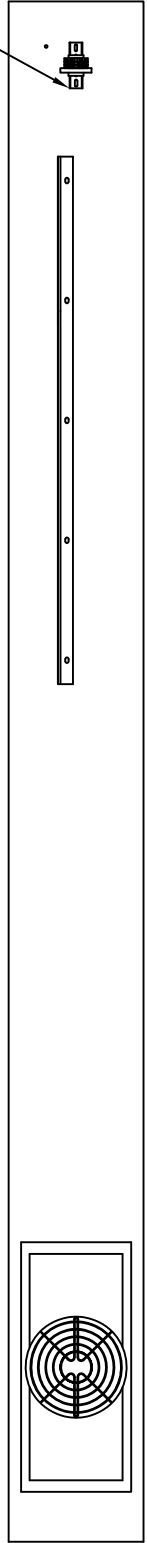
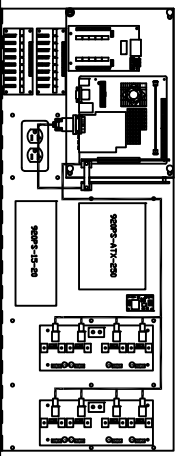


FRONT SIDE

POWER SUPPLIES ARE LOCATED ON THE DOOR SUPPORTS



FAN



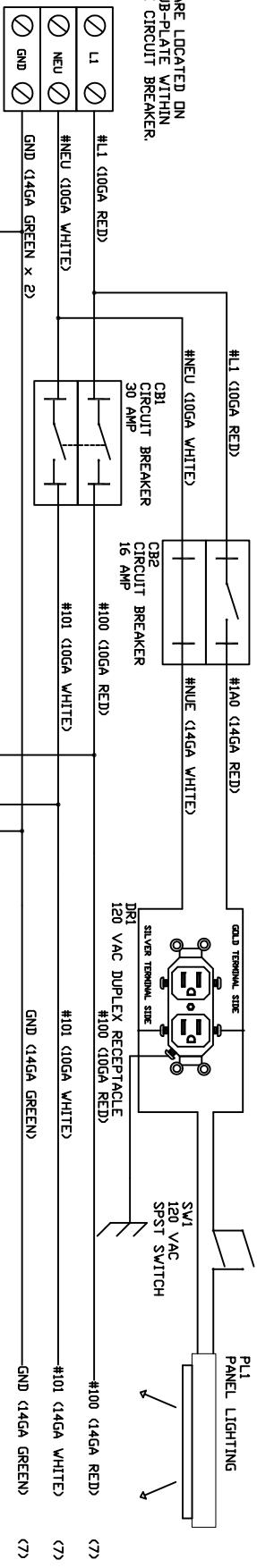
CB2, CB3 &
CB4 26424

CUSTOMER INPUTS

<p>Static Controls Corporation</p>	<p>Outside Inquiries Communications</p>	<p>Drawn: MEET</p>	<p>Title: 10/07/11</p>
	<p>30460 WIXOM ROAD WIXOM, MI 48393 TEL: 982-4444 FAX: (982) 826-4412</p>	<p>Design: RJS</p>	<p>Scale: NONE</p>
<p>982-D-96X320-M05.DWG Rev 5 of 13</p>		<p>DRAWING NUMBER</p>	<p>REV: A</p>

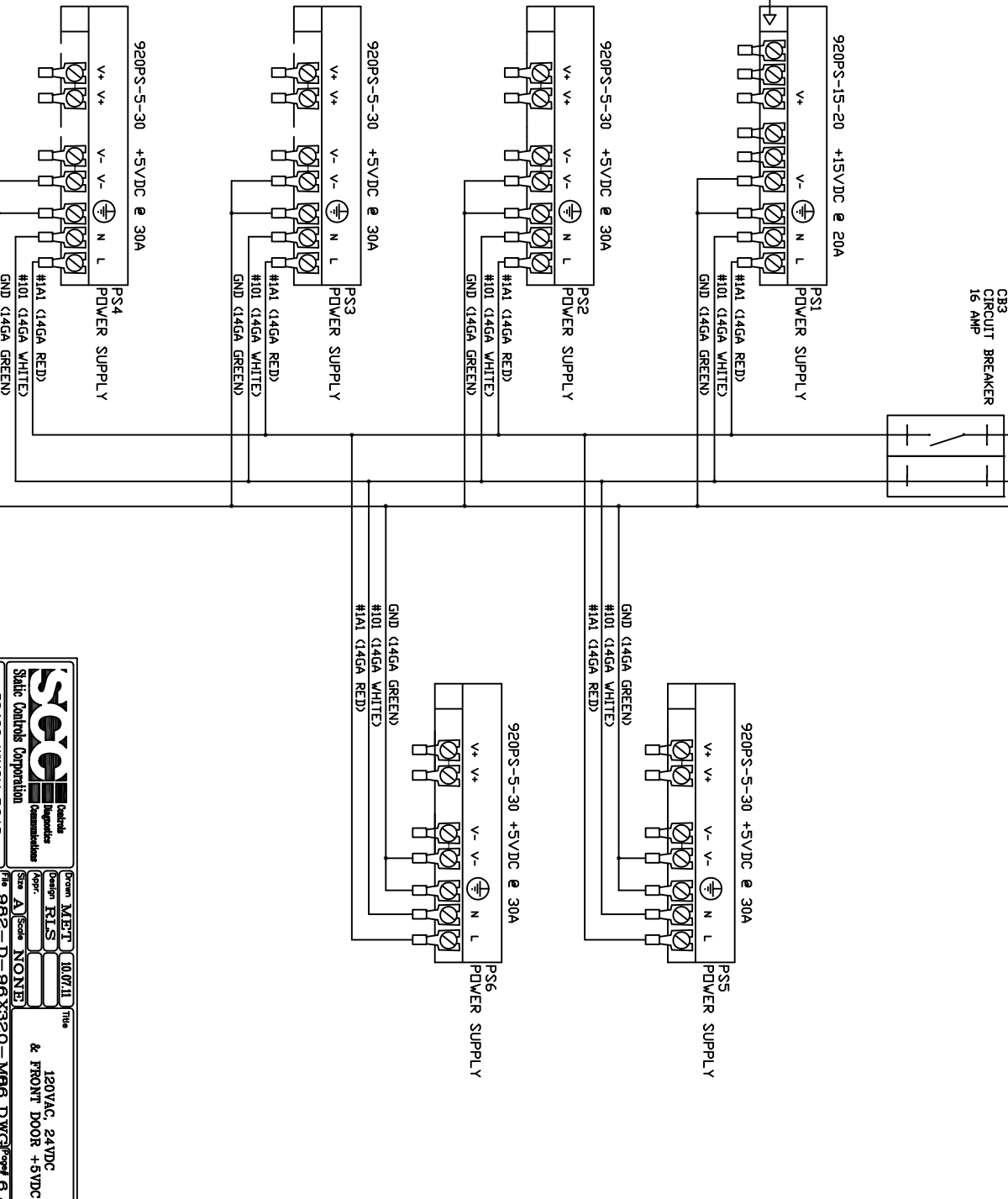
THESE TERMINAL BLOCKS ARE LOCATED ON THE LEFT SIDE OF THE SUB-PLATE WITHIN THE ENCLOSURE, NEAR THE CIRCUIT BREAKER.

120VAC CUSTOMER CONNECTIONS

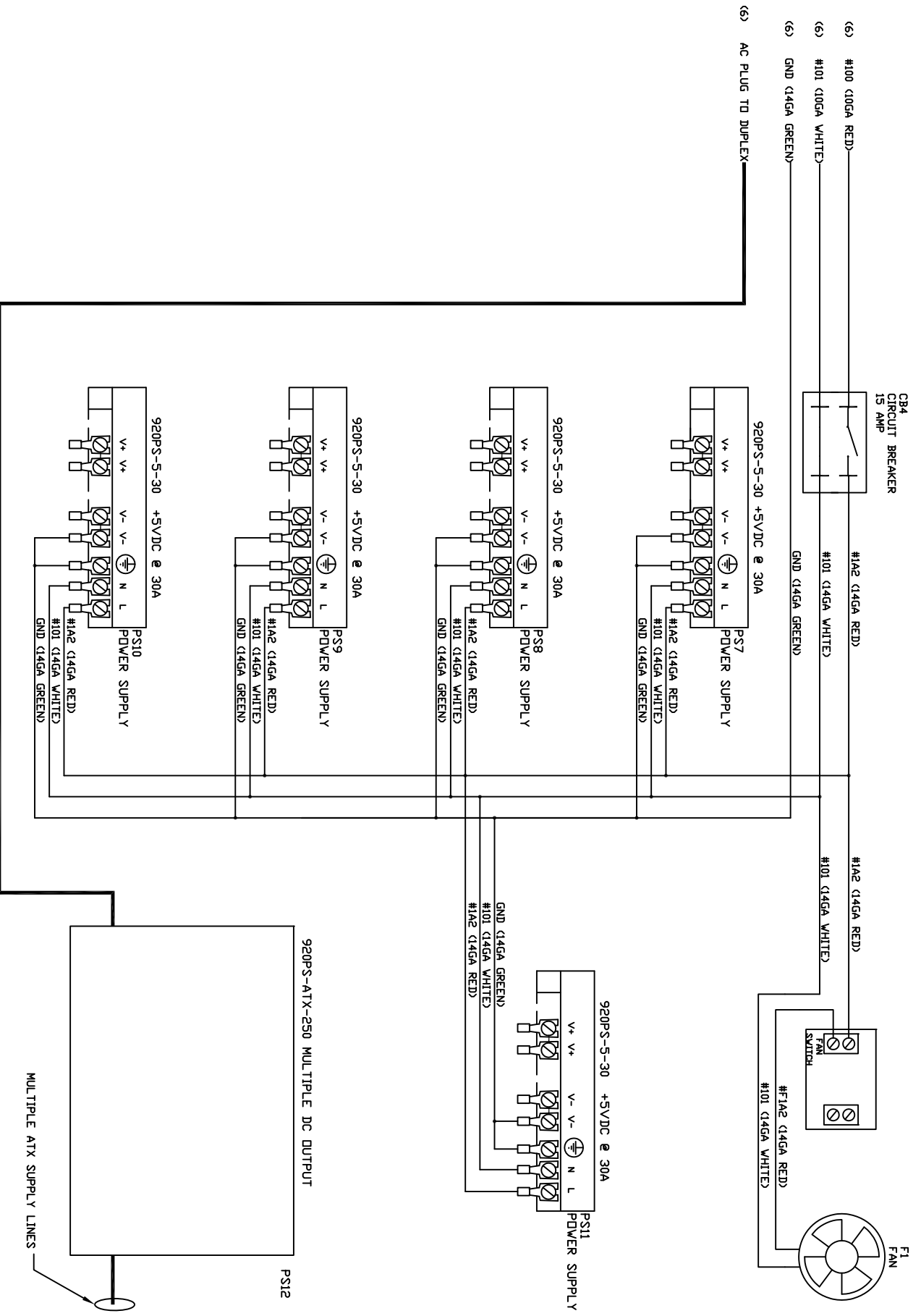


CUSTOMER IS RESPONSIBLE FOR PROVIDING AN APPROPRIATE EARTH GROUND AT THE CUSTOMER CONNECTION POINT. AN EARTH GROUND IS REQUIRED FOR SAFE AND PROPER OPERATION OF THIS UNIT.

MAX OF TWO CONDUCTORS PER FORK TERMINAL. MAX OF TWO FORK TERMINALS PER SCREW (BACK-TO-BACK).



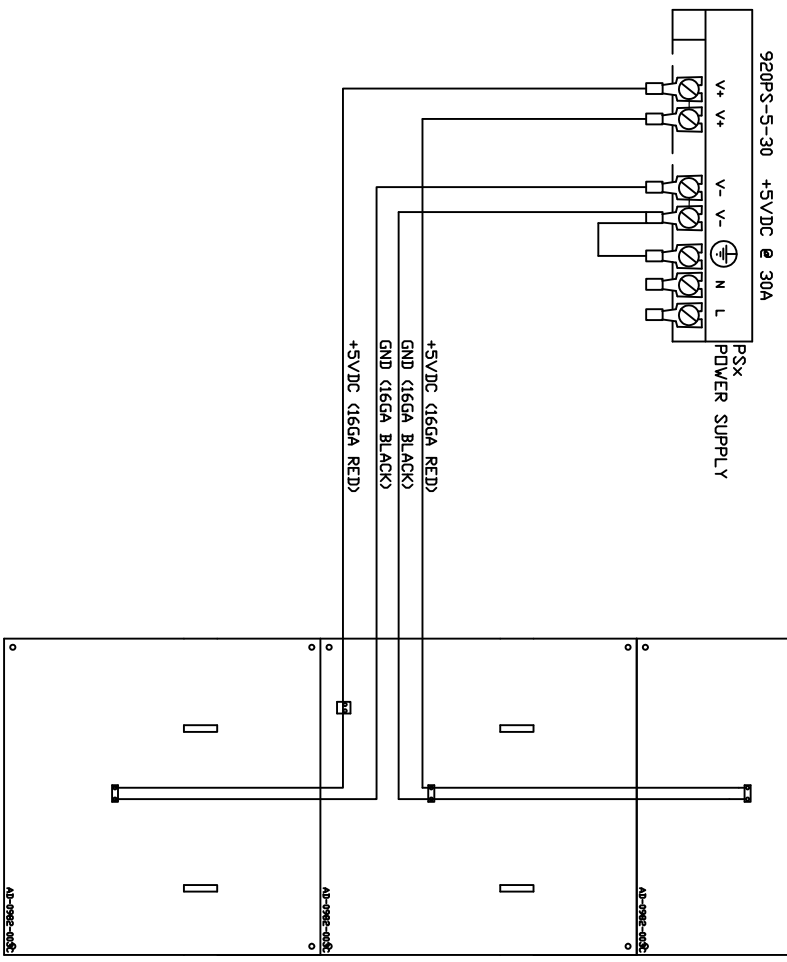
	Outside	Order	10/07/11	Title 120VAC, 24VDC & FRONT DOOR +5VDC
	Supplies	Design	RIS	
Static Shields Corporation 30460 WIXOM ROAD WIXOM, MI 48393 TEL: 989-224-4412 FAX: 989-224-4412	Comments None	Appr. Scale NONE	Drawing Number 982-D-96X320-M88.JDWG	Rev A



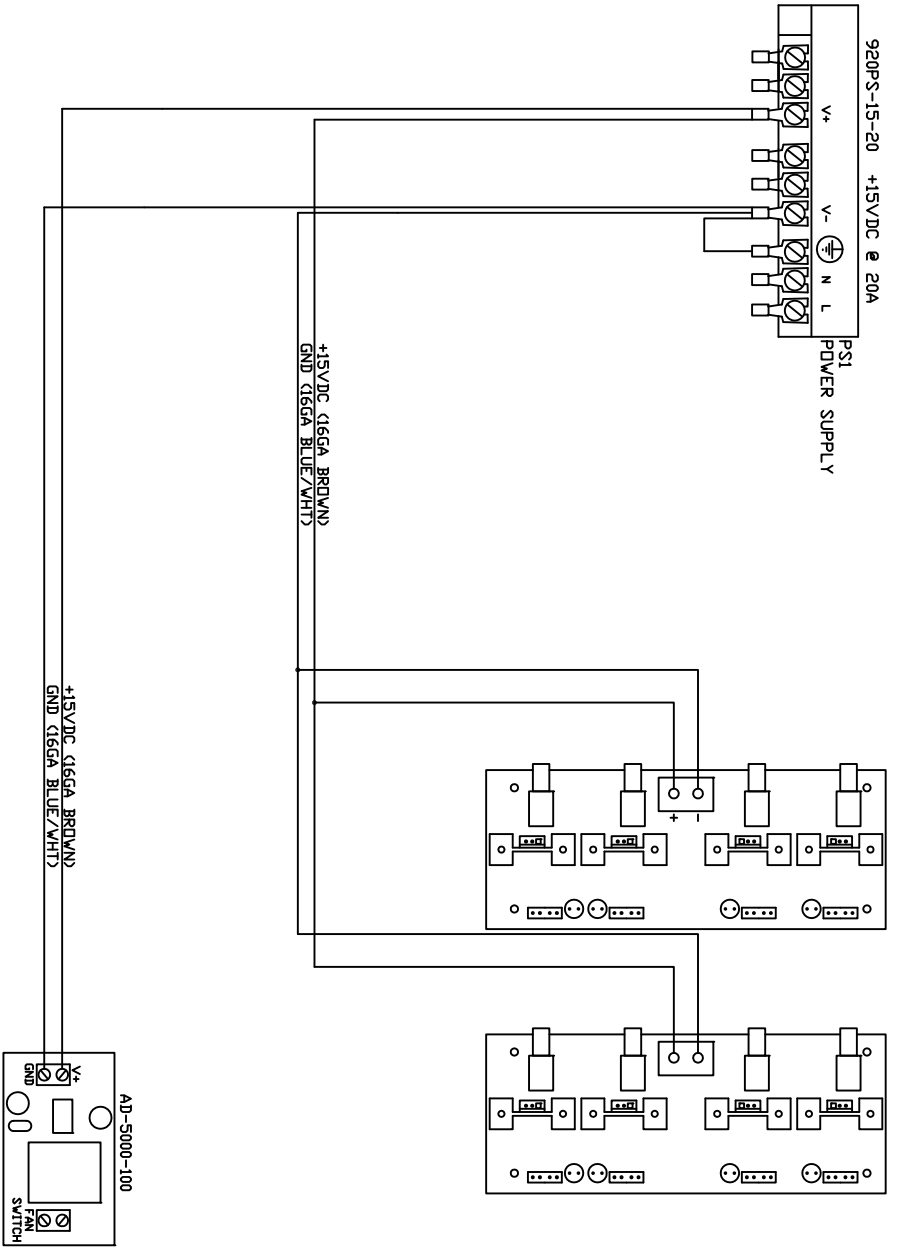
 Static Controls Corporation 30460 WIXOM ROAD WIXOM, MI 48393 FAX (548) 826-4412	Outline Design Appr.	10/07/11 RLS NONE	Title 150VAC CONTINUED & BACK DOOR +5VDC	
	Comments Scale NONE	None NONE	Rev 7 of 13 A	
	Drawing Number MS-982-D-96X320-M87.DWG			
	Part Number MS-982-D-96X320-M8			

TYPICAL COLUMN

INSTALL 1 - +5VDC POWER SUPPLY PER COLUMN.

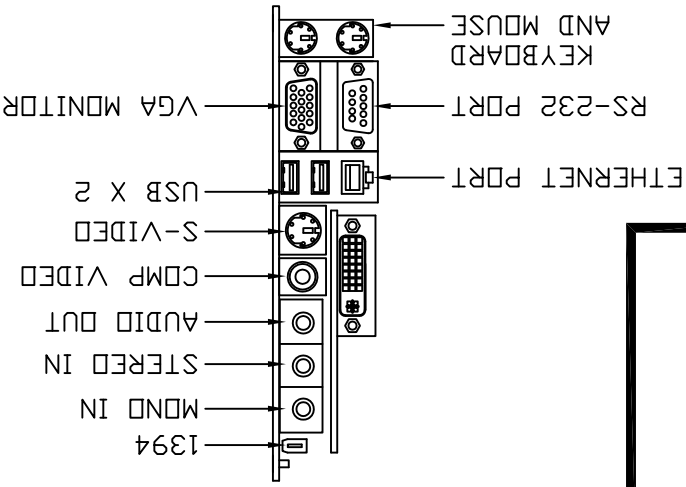
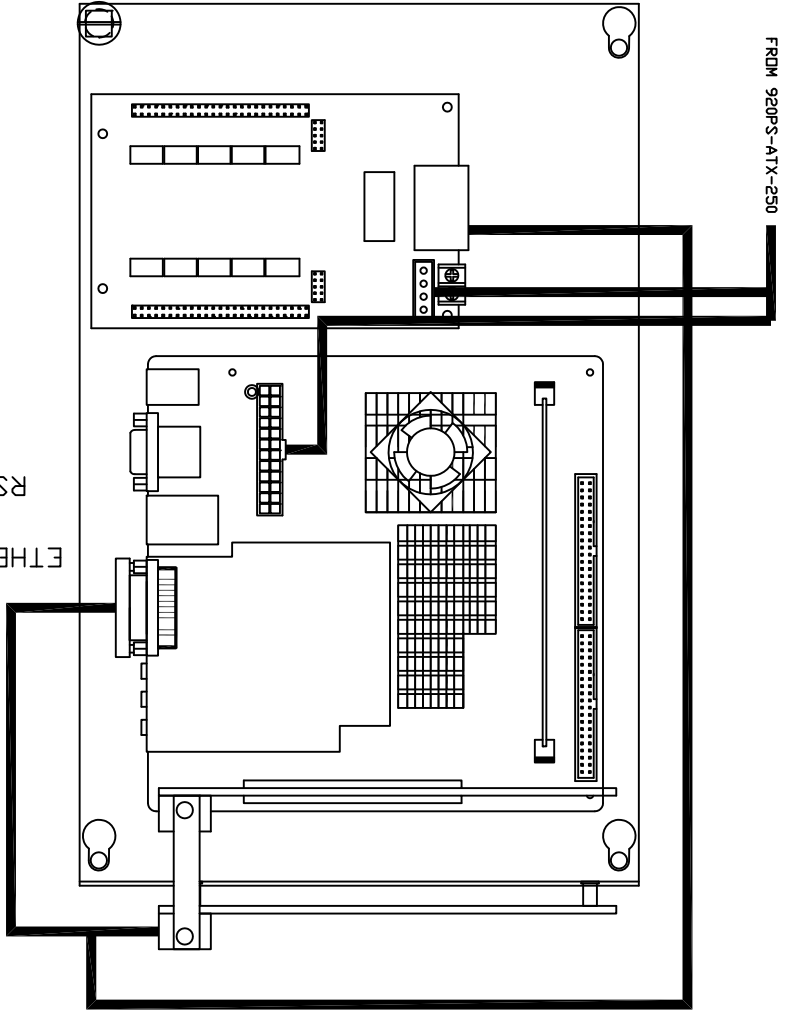


<p>Static Controls Corporation</p> <p>30460 WIXOM ROAD WIXOM, MI 48393 TEL: (519) 826-2442 FAX: (519) 826-2441</p>	<p>Outside Inquiries Communications</p>	<p>Drawn: MEET</p> <p>Design: RLS</p> <p>Appr.: ES</p> <p>Size: A Scale: NONE</p>	<p>Date: 10/07/11</p> <p>Rev: 1</p>
	<p>DISPLAY ASSEMBLY DC WIRING</p>	<p>DRWING NUMBER: KS-982-D-96X320-M88.DWG</p> <p>Sheet: 8 of 13</p>	<p>Rev: A</p>



	Outline Dimensions Comments	Design RLS Appr.	Date 10/07/11	Title +24VDC
	Static Controls Corporation 30460 WIXOM ROAD WIXOM, MI 48393 FAX (248) 826-4412	Size A Scale NONE	The 982-D-96X320-M89.DWG DRAWING NUMBER 982-D-96X320-M8	Rev. 9 of 13 A

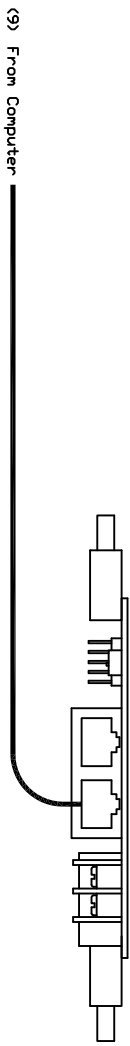
FROM 920PS-ATX-250



DVI PORT

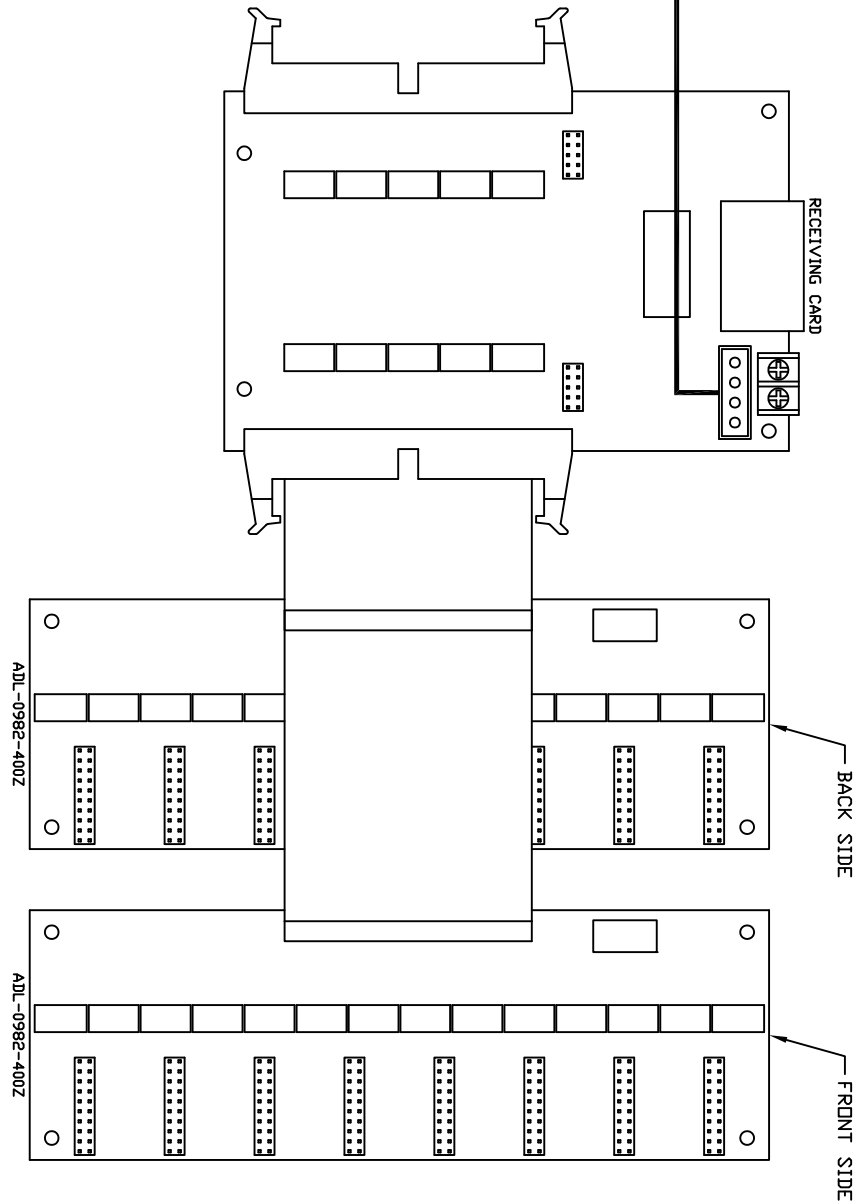
CAT5 BETWEEN 88000C AND AD-0982-400C

<p>Stable Controls Corporation</p> <p>30460 WIXOM ROAD WIXOM, MI 48393 TEL: 526-4442 FAX: (526) 826-4412</p>	<p>Graphic: METT 10/7/11 Title: COMPUTER</p> <p>Design: RLS</p> <p>Appr.:</p> <p>Size: A Scale: NONE</p> <p>DRAWING NUMBER: 982-D-96X320-MED DWG (Rev) 10 of 13</p> <p>REV: A</p>
	<p>Graphic Communications</p>



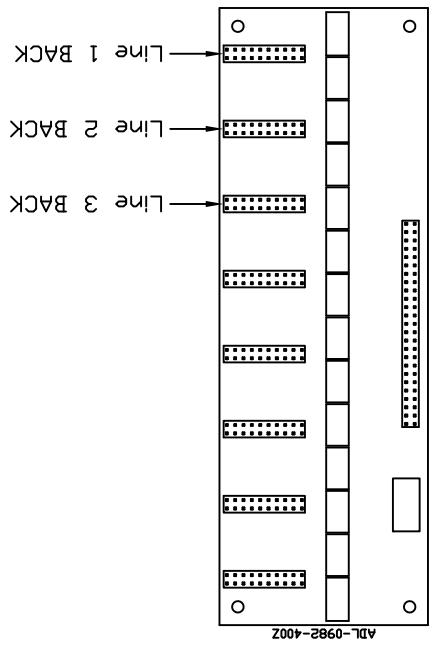
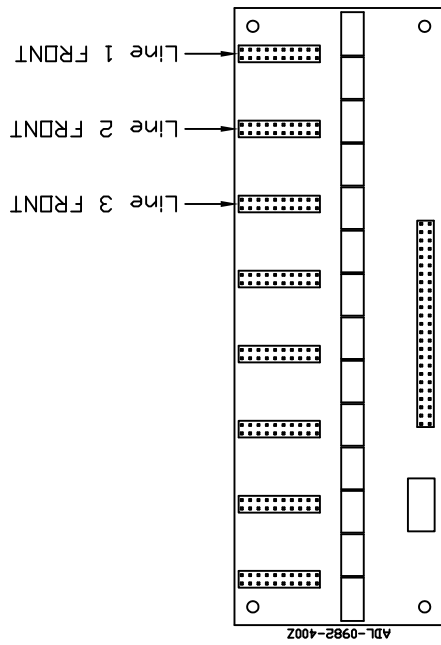
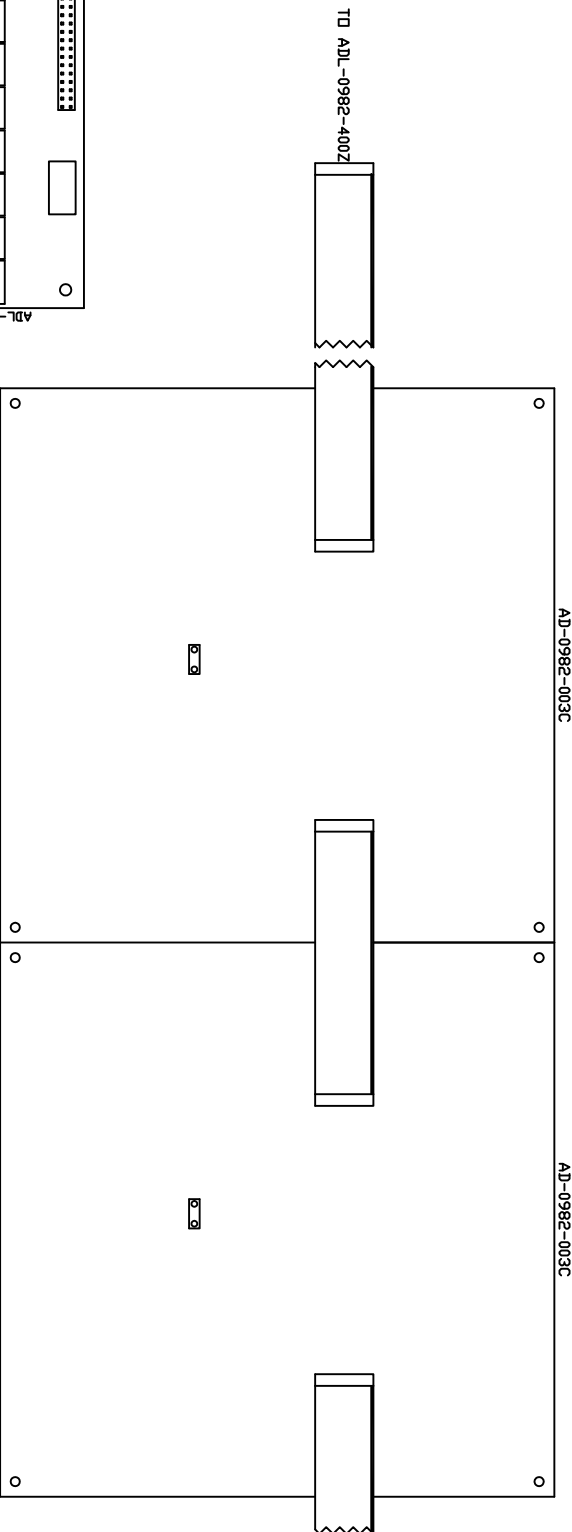
(9) From Computer

(7) FROM 920P-S-ATX-250



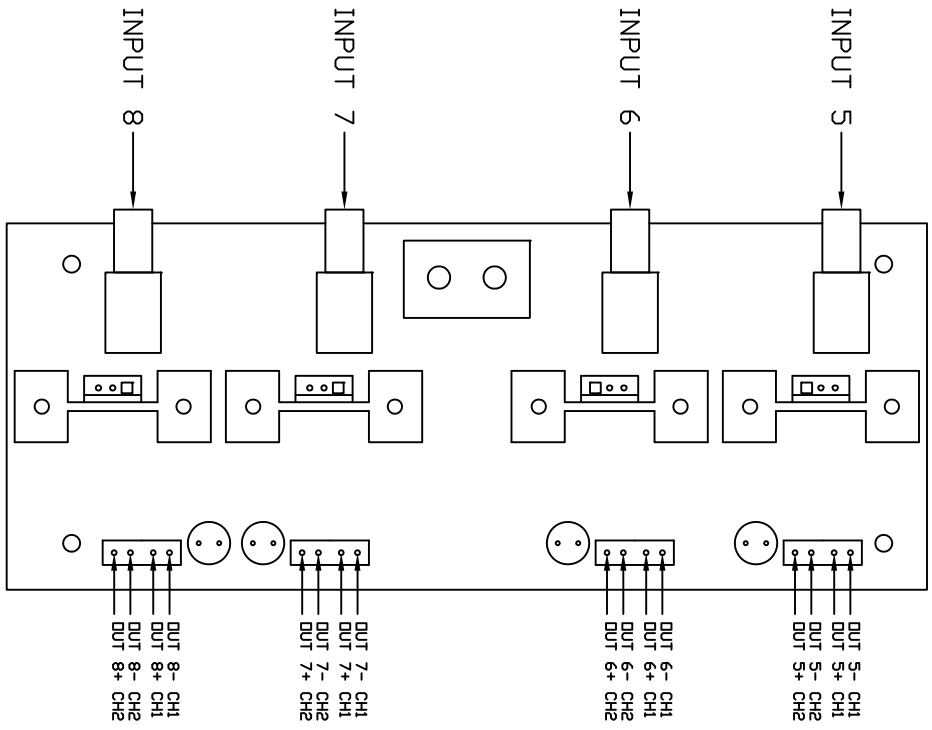
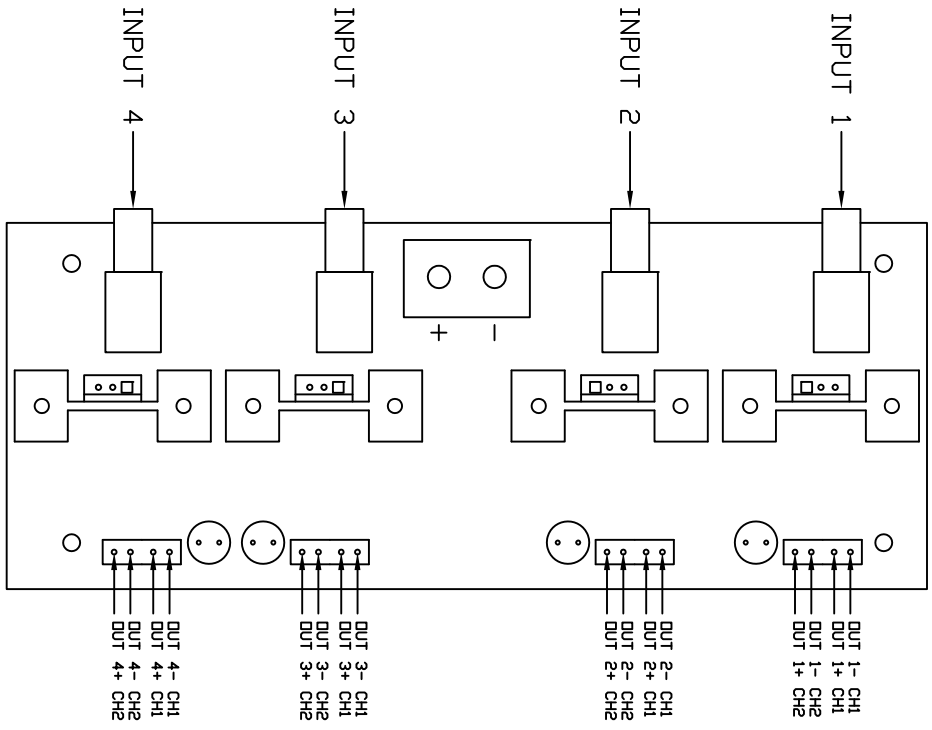
	Outside Sales Representatives	Design Dept.	Date 10/07/11	RECEIVING AND DISTRIBUTION BOARDS
	Static Controls Corporation	Design RLS	Scale NONE	
30460 WIXOM ROAD WIXOM, MI 48393 FAX (548) 826-4412	DRAWING NUMBER 982-D-96X320-M8	Title DWG #11 of 13	Rev. A	

Typical Row



	Outside Design Inspection Communications	Drawn Design Appr.	MET RLS Scale NONE	Title 10/07/11 DISPLAY CONNECTIONS
	Static Controls Corporation 30460 WIXOM ROAD WIXOM, MI 48393 Phone: 982-444-4412 FAX: (248) 826-4412	The 982-D-96X320-MB2 DWG#12413 DRAWING NUMBER HS-982-D-96X320-M8 Rev. A		

ONE 8 OHM, 15 WATT SPEAKER IS PROVIDED BY SCC. CONNECTIONS ARE TO BE MADE BY THE CUSTOMER. ADDITIONAL SPEAKERS ARE AVAILABLE AS AN OPTION, SCC PART# 940-SPKR, 977-SPKR-R, 3100 DR 941-SPKR.



	Outline	08/11	Title AD-0941-101
	Design	RJS	
Static Controls Corporation 30460 WIXOM ROAD WIXOM, MI 48393 Phone: (517) 826-4442 FAX: (517) 826-4412	Approved Date Scale NONE	None None	Drawing Number 982-D-96X320-MB3 DWG Rev# 13 of 13 Part Number 982-D-96X320-M8 Rev# A