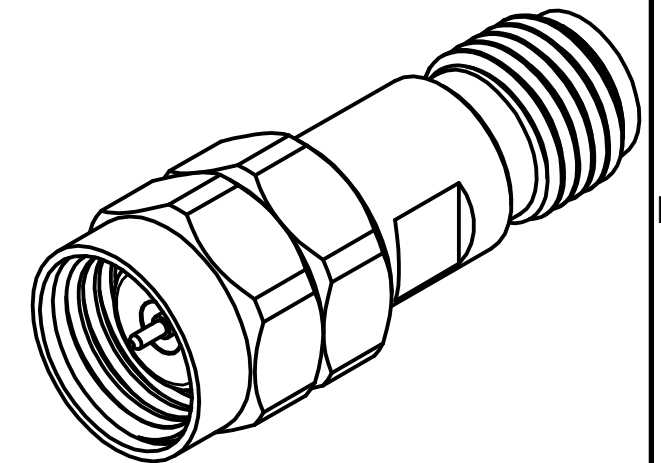
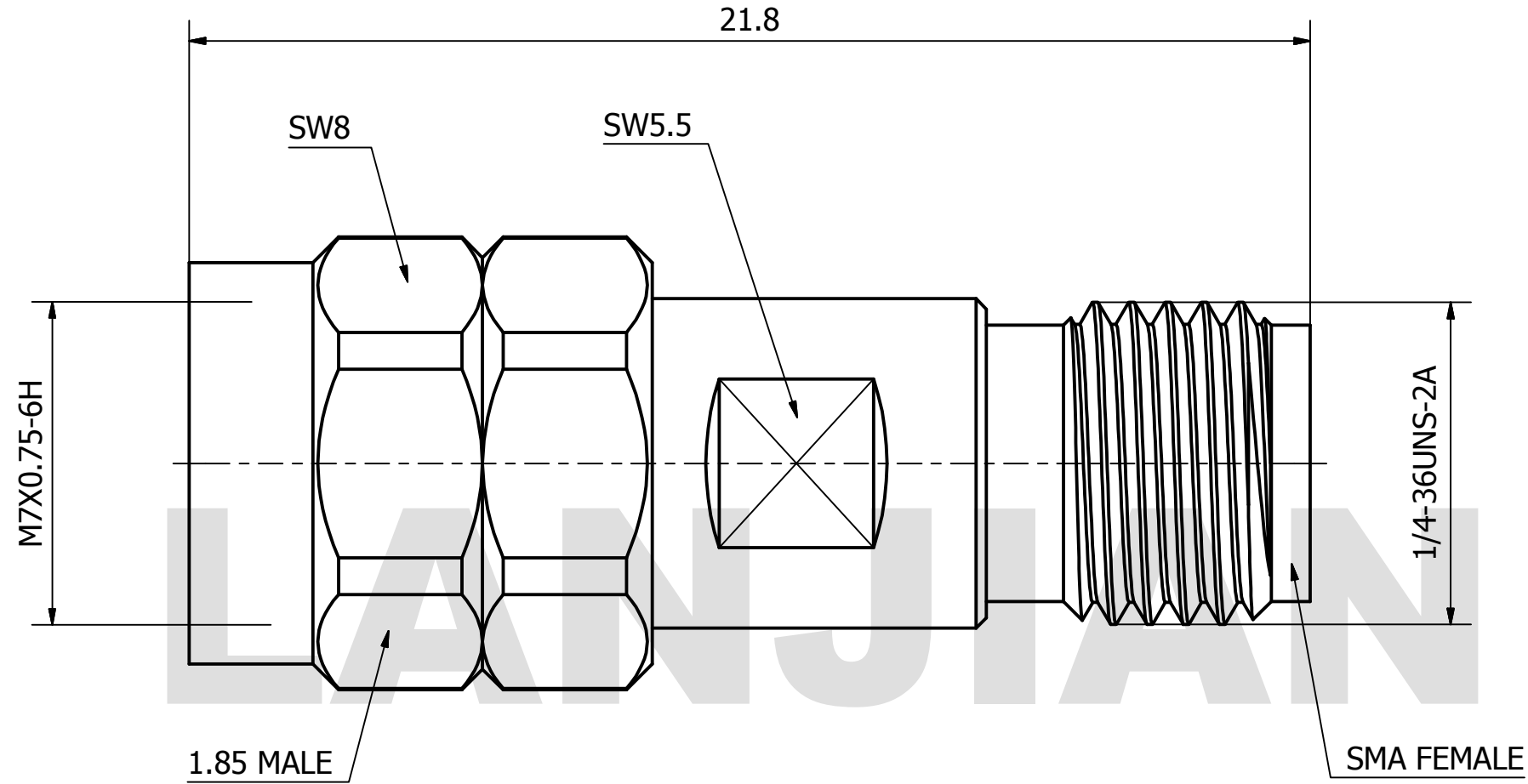


PRODUCT DATA SHEET



MATERIAL:
 BODY: STAINLESS STEEL PER AMS-5640,
 ALLOY UNS S30300
 CONTACT: BERYLLIUM COPPER PER ASTM B196.
 ALLOY NO. UNS C17300
 INSULATOR: PEI/PTFE

PERFORMANCE:
 IMPEDANCE: 50 OHMS
 FREQUENCY: DC TO 26.5 GHz
 VSWR: ≤1.20

| | | | |
|--|--|--------------|------------------------------|
| THIS DOCUMENT CONTAINS CONFIDENTIAL AND PROPRIETARY INFORMATION THAT CANNOT BE REPRODUCED OR DIVULGED, IN WHOLE OR IN PART, WITHOUT WRITTEN AUTHORIZATION FROM "LANJIAN ELECTRONICS" | MATERIAL : | | |
| | UNLESS OTHERWISE SPECIFIED: DIMENSIONS IN MM | | |
| | TOLERANCES : | | |
| | X.X | ±0.20 | ANGULAR : ±1° |
| | X.XX | ±0.10 | FILLETS R/C : ±0.10 |
| | X.XXX | ±0.01 | SURFACE FINISH : Ra 1.6 |
| | | | DEBURR AND BREAK SHARP EDGES |
| | | NAME | DATE |
| | DRAWN | YaoJiang | 10/23/2018 |
| | CHK'D | HongZhongYan | 10/23/2018 |
| APPV'D | HongZhongYan | 10/23/2018 | |
| MFG | | | |
| PROJECTION | SIZE | SCALE | |
| | A3 | 8 : 1 | |

LANJIAN ELECTRONICS
 38 Hengtong Road, Xinqu Dingmao
 Zhenjiang, 212009, Jiangsu, P. R. China

TITLE
1.85/SMA-JK straight adaptor

DWG No. GCPZ3.640.U.021 REV. A

DO NOT SCALE THE DRAWING PAGE 1 / 1