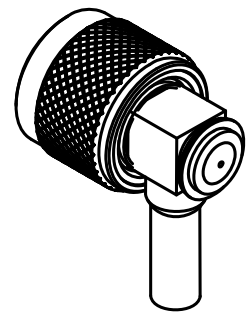
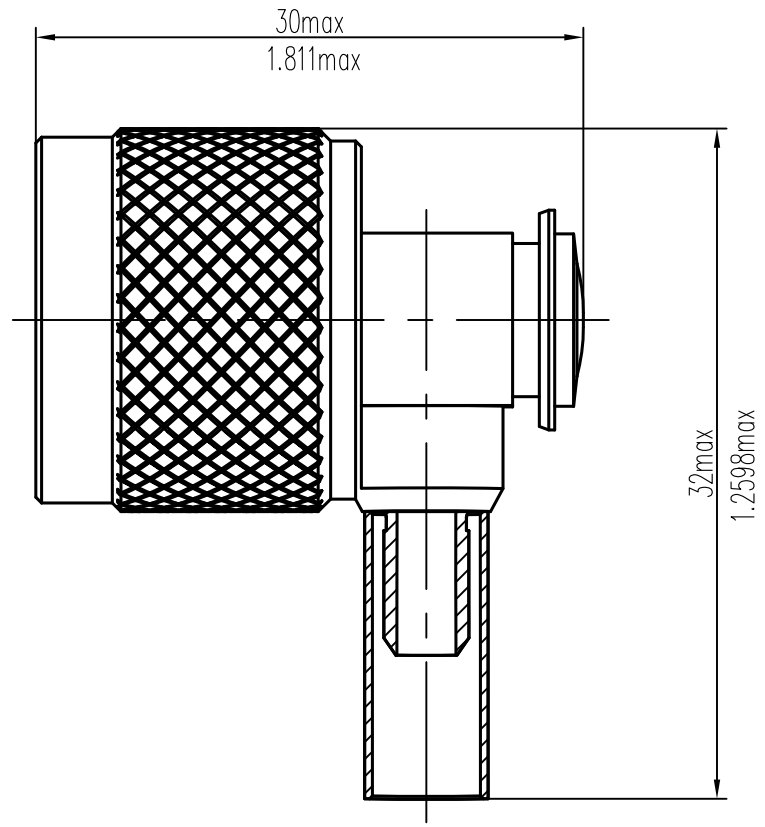


1		2		3		4		5		6	
TECHNICAL SPECIFICATION			METERIAL			FINISH					
FREQUENCY RANGE		DC~18GHz	Inner conductor		Beryllium copper		Gold				
IMPEDANCE		≥5000MΩ	Insulator		PEI		—				
OPERATING TEMP		-55℃~+70℃	Body		Stainless steel 303		Passivated				
VSWR		≤1.25	Nut		Stainless steel 303		Passivated				




UNLESS OTHERWISE SPECIFIED  
 1) ALL DIMENSIONS ARE AFTER PLATING.  
 2) BREAK CORNERS & EDGES.005 R. MAX.  
 3) CHAM. 1ST & LAST THREADS.  
 4) SURFACE ROUGHNESS 63 √ MIL-STD-10.  
 5) DIA S ON COMMON CENTERS TO BE CONCENTRIC WITHIN .004 T.I.R.  
 6) REMOVE ALL BURRS

DRAWN:

CHECKED:

STANDARDIZATION:

APPROVED:



**LANJIAN ELECTRONICS, INC**

DWG.NO. N-MW3Y

TITLE: SIZE 2:1

CAGE CODE: SHEET 1/1

PROPRIETARY  
 THE INFORMATION CONTAINED IN THIS DRAWING IS THE SOLE PROPERTY OF LANJIAN, INC. WITHOUT THE WRITTEN PERMISSION OF LANJIAN ELECTRONICS, INC IS PROHIBITED.

A

A

B

B

C

C

D

1